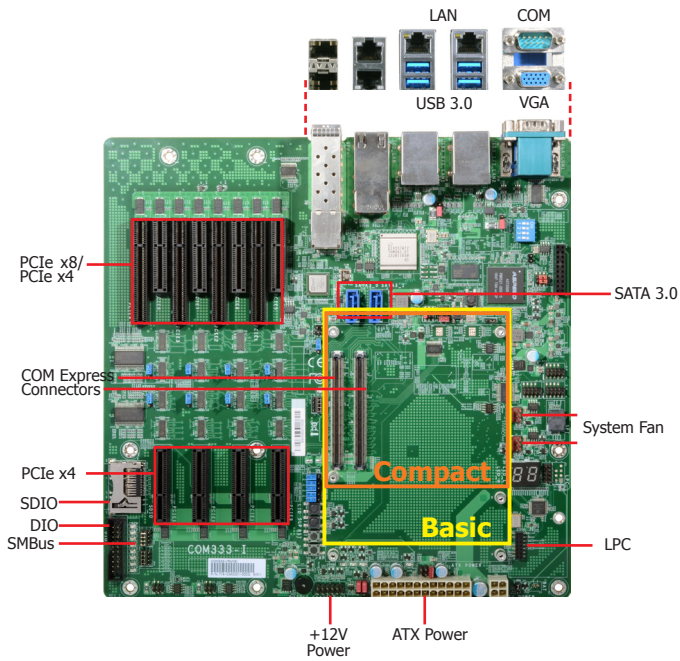




## COM333-I

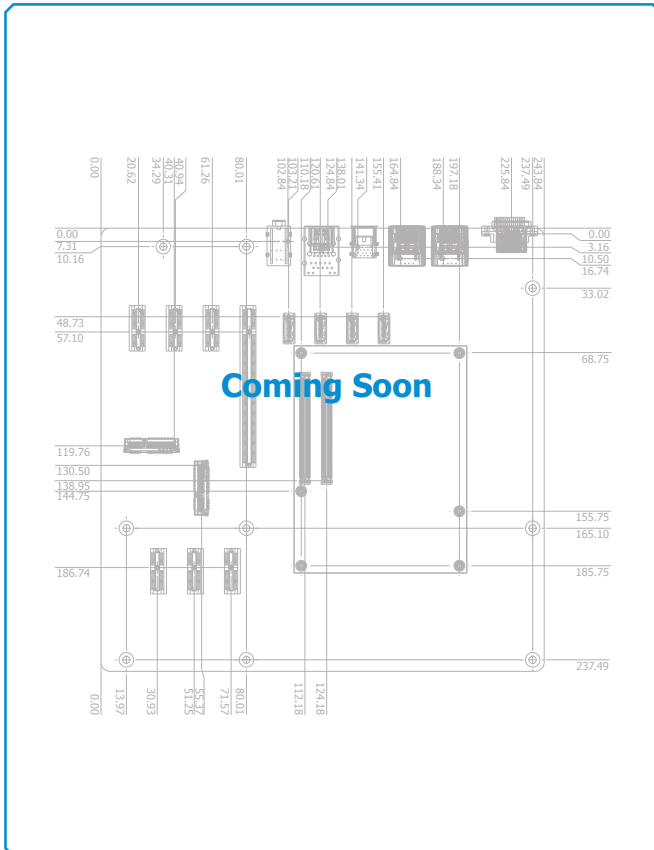


### Features

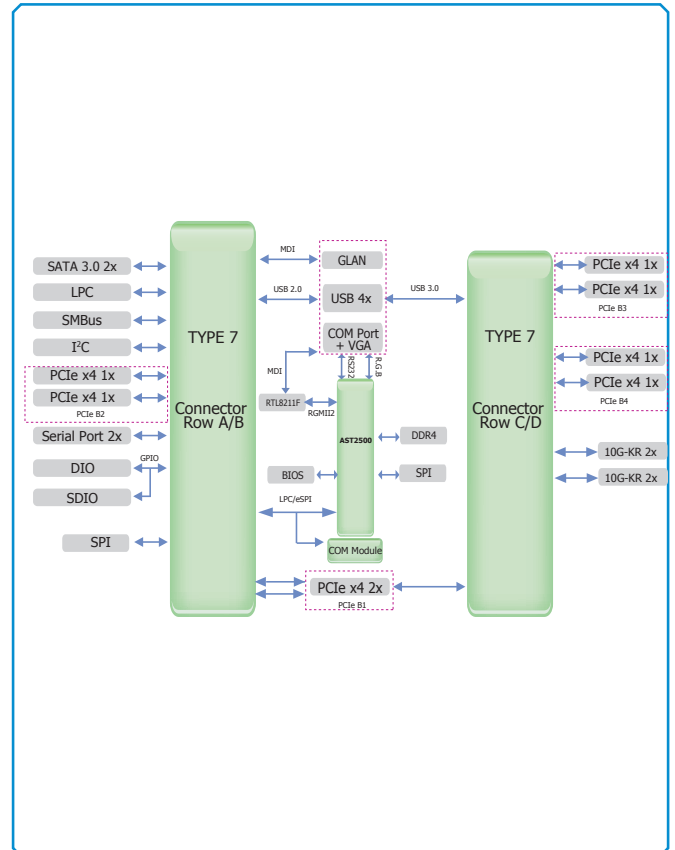
- COM Express® R3.0, Pin-out Type 7
- Supports Compact and Basic modules
- Multiple expansion: 8 PCIe x4 or 4 PCIe x8, 2 SATA 3.0
- Rich I/O: 1 GbE, 4 10Gbase-KR, 4 USB 3.0/2.0
- microATX form factor



### Mechanical Drawing



### Block Diagram



## ► Specifications

|                     |                    |                                                                                                                                                                                                                                |                                   |
|---------------------|--------------------|--------------------------------------------------------------------------------------------------------------------------------------------------------------------------------------------------------------------------------|-----------------------------------|
| <b>EXPANSION</b>    | <b>Interface</b>   | B1: 2 x PCIe x4 or 1 x PCIe x8 (Gen 3)<br>B2: 2 x PCIe x4 or 1 x PCIe x8 (Gen 3)<br>B3: 2 x PCIe x4 or 1 x PCIe x8 (Gen 3)<br>B4: 2 x PCIe x4 or 1 x PCIe x8 (Gen 3)                                                           |                                   |
| <b>REAR I/O</b>     | <b>Ethernet</b>    | 4 x 10Gbase-KR (2 RJ-45, 2 SFP+)                                                                                                                                                                                               | 1 x GbE (RJ-45)                   |
|                     | <b>USB</b>         | 4 x USB 3.0/2.0                                                                                                                                                                                                                |                                   |
| <b>INTERNAL I/O</b> | <b>Serial</b>      | 1 x Serial Interface Connector (TX/RX)                                                                                                                                                                                         |                                   |
|                     | <b>SATA</b>        | 2 x SATA 3.0 (up to 6Gb/s)                                                                                                                                                                                                     |                                   |
|                     | <b>DIO</b>         | 1 x 8-bit DIO<br>1 x SDIO (available upon request)                                                                                                                                                                             |                                   |
|                     | <b>LPC</b>         | 1 x LPC                                                                                                                                                                                                                        |                                   |
|                     | <b>SMBus</b>       | 1 x SMBus                                                                                                                                                                                                                      |                                   |
| <b>BMC</b>          | <b>Features</b>    | 1. IPMI 2.0<br>2. Web Browser Support<br>3. Web Interface<br>4. iKVM (keyboard, video, and mouse)<br>5. Virtual Media<br>6. 3rd Party Authentication<br>7. Firmware Update<br>8. SMASH/CLP<br>9. WS-MAN<br>10. Network Service |                                   |
|                     | <b>Processor</b>   | AST2500                                                                                                                                                                                                                        |                                   |
|                     | <b>SDRAM</b>       | DDR4 1600MHz 512M memory down (ECC support)                                                                                                                                                                                    |                                   |
|                     | <b>Display</b>     | Through BMC to convert VGA signal                                                                                                                                                                                              | VGA: resolution up to 1920 x 1200 |
| <b>POWER</b>        | <b>Type</b>        | 12V, 5VSB, VCC_RTC (ATX mode)                                                                                                                                                                                                  | 12V, VCC_RTC (AT mode)            |
|                     | <b>Connector</b>   | 4-pin ATX 12V power                                                                                                                                                                                                            | 24-pin ATX power                  |
|                     | <b>RTC Battery</b> | CR2032 Coin Cell                                                                                                                                                                                                               |                                   |
| <b>ENVIRONMENT</b>  | <b>Temperature</b> | Operating: 0 to 60°C                                                                                                                                                                                                           | Storage: -40 to 85°C              |
|                     | <b>Humidity</b>    | Operating: 5 to 90% RH                                                                                                                                                                                                         | Storage: 5 to 90% RH              |
|                     | <b>MTBF</b>        | TBD                                                                                                                                                                                                                            |                                   |
| <b>MECHANICAL</b>   | <b>Dimensions</b>  | microATX Form Factor                                                                                                                                                                                                           | 244mm (9.6") x 244mm (9.6")       |
|                     | <b>Compliance</b>  | PICMG COM Express® R3.0, Type 7                                                                                                                                                                                                | Basic, Compact Modules            |

## ► Packing List

|                                           |                 |
|-------------------------------------------|-----------------|
| • 1 COM333-I board                        |                 |
| • 1 Serial ATA data cable (Length: 500mm) | 332-553001-005G |

## ► Optional Items

|                                          |                 |
|------------------------------------------|-----------------|
| • Serial ATA data cable (Length: 500mm)  | 332-553001-005G |
| • LPC EXT-RS232 module (4 x RS232 ports) | 770-EXTRS1-000G |
| • LPC EXT-RS485 module (4 x RS485 ports) | 770-EXTRS1-100G |
| • I/O shield                             | A49-COM332-010G |