



# KS101-BT

Atom

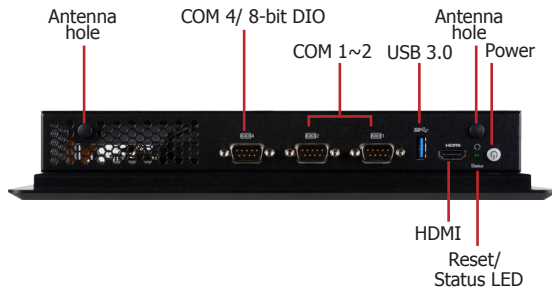


## Features

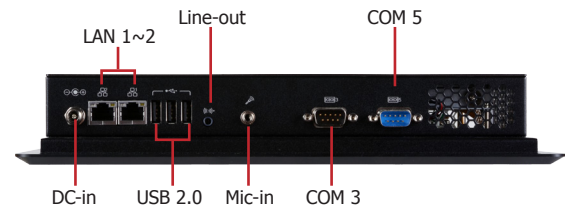
- 10.1" 1280x800 TFT LCD Panel with Touch Screen
- 1x 2.5" SATA drive bay
- IP65 Front Panel Protection
- VESA/Panel Mount
- Rich I/O: 2 LAN, 5 COM, 1 USB 3.0, 3 USB 2.0



## Panel

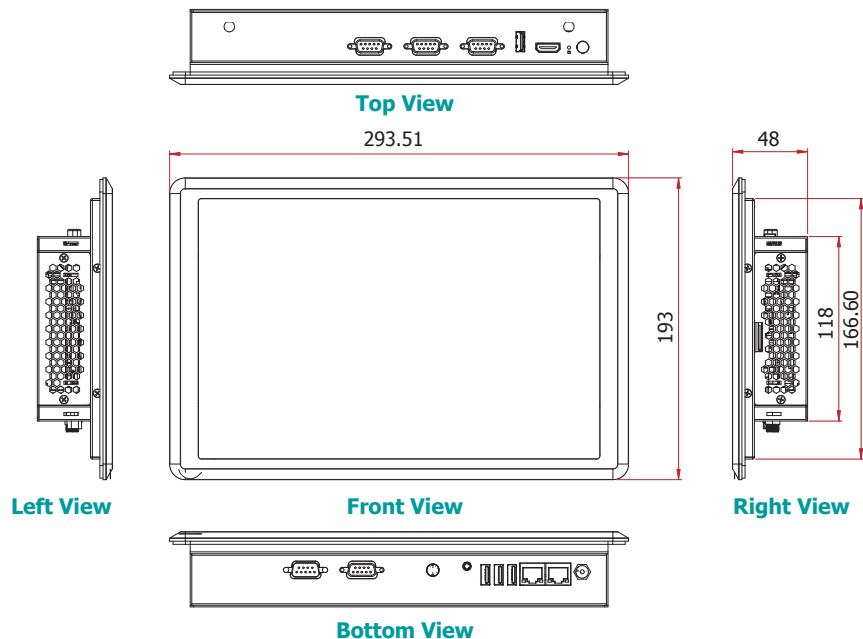


Top View



Bottom View

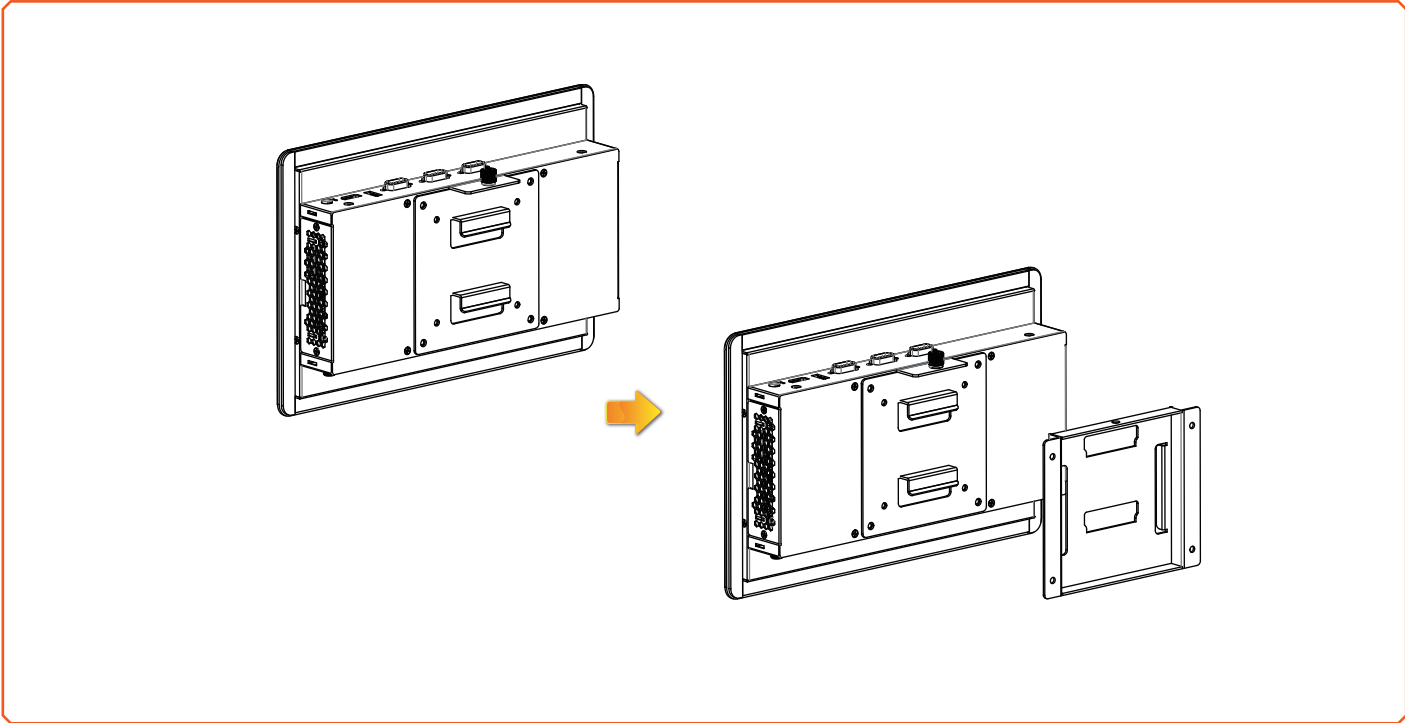
## Dimensions



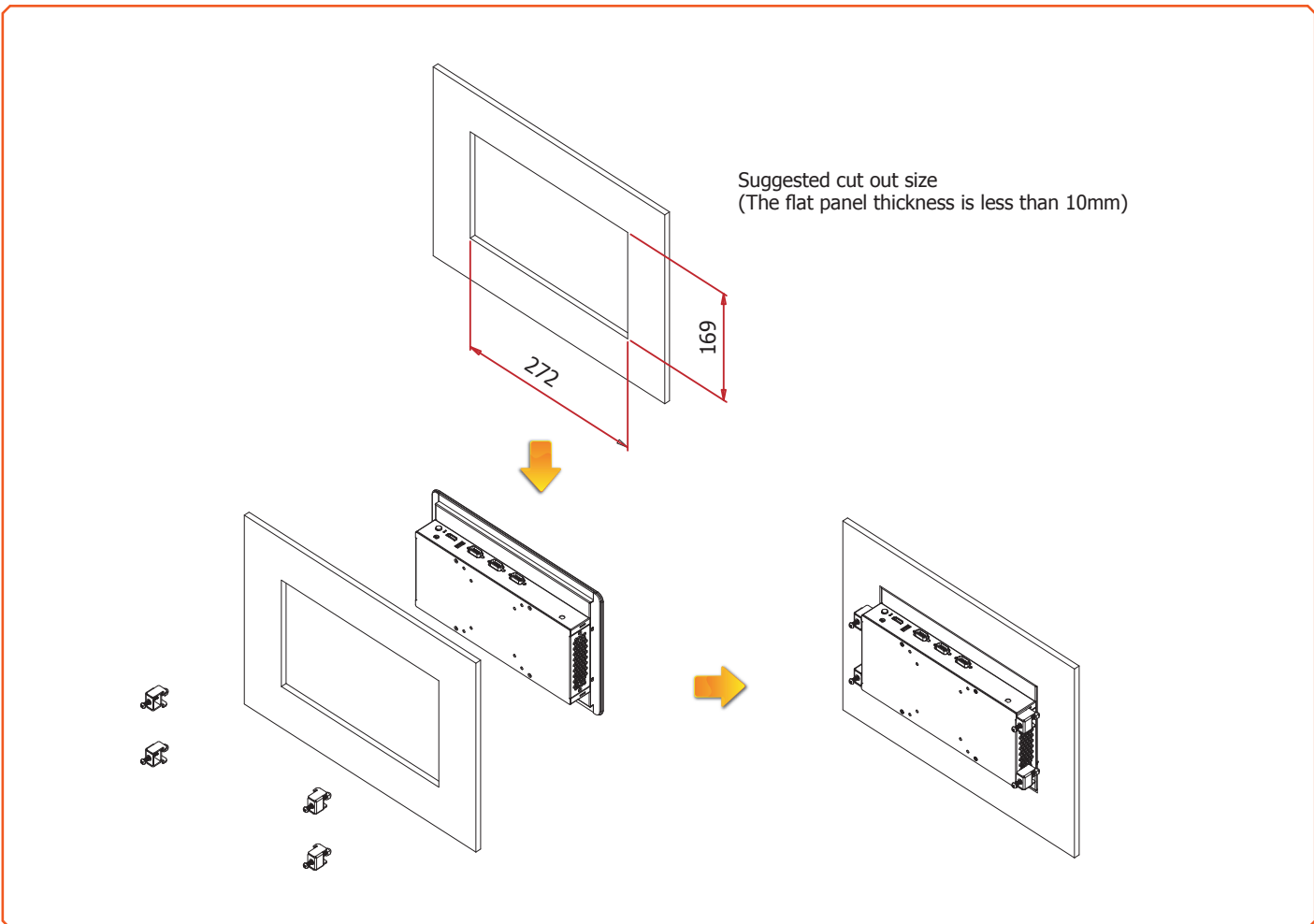
## ► Specifications

<b>SYSTEM</b>	<b>Processor</b>	Intel® Atom™ Processor E3800 Series, BGA 1170 Intel® Atom™ Processor E3845, Quad Core, 2M Cache, 1.91GHz, 10W Intel® Celeron® Processor J1900, Quad Core, 2M Cache, 2GHz (2.42GHz), 10W
	<b>Memory</b>	4GB/2GB Memory Down Single Channel DDR3L 1333MHz
	<b>BIOS</b>	AMI SPI 64Mbit
	<b>DISPLAY AND TOUCH SCREEN</b>	
<b>DISPLAY AND TOUCH SCREEN</b>	<b>Display</b>	10.1" 1280x800 TFT LCD Panel with Capacitive Touch Screen
	<b>Brightness</b>	500 cd/m <sup>2</sup>
	<b>Contrast</b>	800:1
	<b>Backlight Lifetime</b>	50,000 hours
<b>GRAPHICS</b>	<b>Controller</b>	Intel® HD Graphics
	<b>Feature</b>	DirectX 11, OCL 1.2, OGL 4.0 H.264, MPEG2, MVC, VC-1, WMV9, VP8 (supported version dependent on OS)
	<b>Display</b>	1 x HDMI HDMI: resolution up to 1920x1080 @ 60Hz
	<b>Single Display</b>	HDMI
<b>STORAGE</b>		1 x 2.5" SATA 2.0 Drive Bay 1 x micro SD (available upon request)
<b>EXPANSION</b>	<b>Interface</b>	1 x Full-size Mini PCIe (PCIe/USB/4G) 1 x Full-size Mini PCIe (mSATA) 1 x Half-size Mini PCIe (PCIe/USB/LPC)
<b>AUDIO</b>	<b>Audio Codec</b>	Realtek ALC888 5.1-channel
<b>ETHERNET</b>	<b>Controller</b>	2 x Intel® I210AT PCIe (10/100/1000Mbps)
<b>LED</b>	<b>Indicators</b>	1 x Power LED 1 x HDD LED
<b>TOP I/O</b>	<b>Serial</b>	3 x RS-232/422/485 (DB-9) (one supports 8-bit DIO)
	<b>USB</b>	1 x USB 3.0 (type A)
	<b>Display</b>	1 x HDMI
	<b>Buttons</b>	1 x Power Button 1 x Reset Button
	<b>Wi-Fi Antenna</b>	2 x Wi-Fi Module Antenna Hole
<b>BOTTOM I/O</b>	<b>Ethernet</b>	2 x GbE (RJ-45) (10/100/1000Mbps)
	<b>Serial</b>	1 x RS-232/422/485 (DB-9) 1 x RS-232 (DB-9)
	<b>USB</b>	3 x USB 2.0 (type A)
	<b>Audio</b>	1 x Line-out 1 x Mic-in
	<b>WATCHDOG TIMER</b>	<b>Output &amp; Interval</b>
<b>POWER</b>	<b>Type</b>	12~36V DC
	<b>Connector</b>	DC Jack
	<b>OS SUPPORT</b>	Windows 7 Embedded P SKU (32bit/64bit)    Ubuntu-15.10 / Yocto Windows 8.1 Embedded (32bit/64bit) Windows 10 IoT Enterprise (32bit/64bit)
<b>MECHANISM</b>	<b>Construction</b>	Sheet Metal
	<b>IP Rating</b>	IP65 Front Panel Protection
	<b>Mounting</b>	Panel/VESA Mount
	<b>Dimensions (W x H x D)</b>	294mm x 48mm x 193mm
	<b>Weight</b>	1.7 Kg
<b>ENVIRONMENT</b>	<b>Operating Temperature</b>	0 to 60°C
	<b>Storage Temperature</b>	-30 to 80°C
	<b>Relative Humidity</b>	5 to 85% RH (non-condensing)
	<b>STANDARDS AND CERTIFICATIONS</b>	<b>Shock</b>
<b>Vibration</b>		OP Random 5~500Hz 1G Non-OP Sine ware 10~500Hz 3G
<b>Certifications</b>		TBD

▶ VESA Mounting



▶ Panel Mounting



### ► Ordering Information

Model Name	Part Number	Description
<b>KS101-BT3845P</b>	750-KS1010-000G	10.1" Panel PC, Intel® Atom™ E3845, 4GB Memory Down
<b>KS101-BT1900P</b>	750-KS1010-100G	10.1" Panel PC, Intel® Celeron® J1900, 2GB Memory Down

### ► Optional Items

Optional Items	Part Number	Description
<b>HDD</b>	785-S251TBG	2.5" SATA SSD, 1TB MLC, RoHS
	785-S25512G	2.5" SATA SSD, 512GB MLC, RoHS
	785-S25256G	2.5" SATA SSD, 256GB MLC, RoHS
	785-S25128G	2.5" SATA SSD, 128GB MLC, RoHS
	785-S25064G	2.5" SATA SSD, 64GB MLC, RoHS
	785-S25032G	2.5" SATA SSD, 32GB MLC, RoHS
<b>mSATA</b>	638-712807-110G	mSATA Card, 128GB MLC, RoHS
	638-703210-120G	mSATA Card, 32GB MLC, RoHS
	638-701610-100G	mSATA Card, 16GB MLC, RoHS
<b>Wi-Fi</b>	761-110091-000G	Wi-Fi kit, RoHS
<b>Power Cord</b>	785-PWRD	Power cord, Standards (USA/EUR/CH), 1.8m, RoHS
<b>Power Adapter</b>	671-106012-000G	60W, 12V/5A, Level 6, RoHS
<b>Panel Mount</b>	761-KS2020-000G	7" Panel PC Panel Mount Kit, RoHS

### ► Packing List

• 1 KS101-BT Touch Panel PC
• 1 Poron foam
• 1 Chassis Panel Mount Bracket
• 1 Quick Installation Guide
• 1 CD disk includes:
- Manual