



WM343-MB

Q77

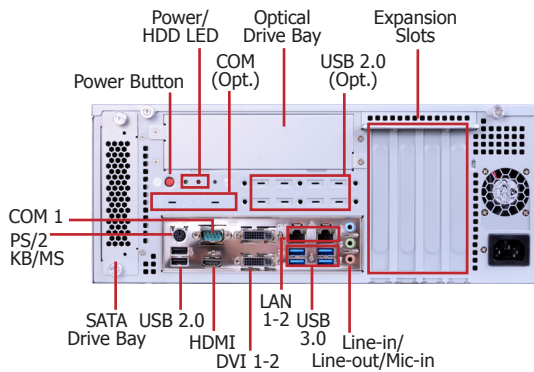


► Features

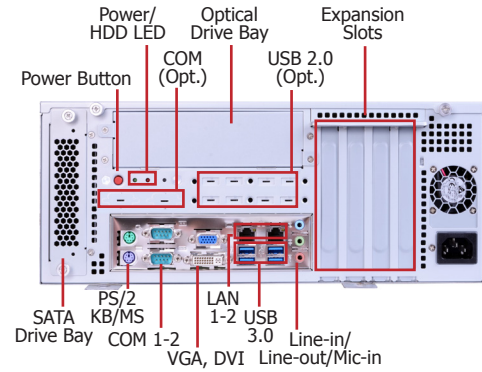
- 3rd/2nd Gen Intel Core Desktop/Wallmount Box PC
- Up to 2x 3.5"/2.5" SATA drive bays
- 1x optical drive bay
- Supports 4 expansion slots: 1 PCIe x16, 1 PCIe x4, 2 PCI
- Designed for ATM application



► Panel

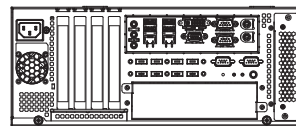


Rear View (MB330-CRM)

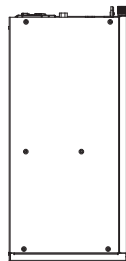


Rear View (MB331-CRM)

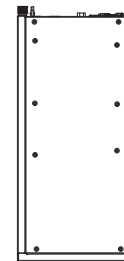
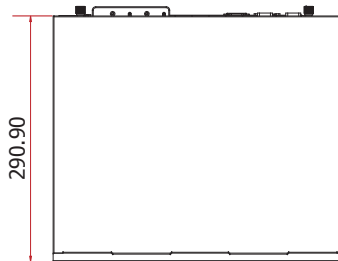
► Dimensions



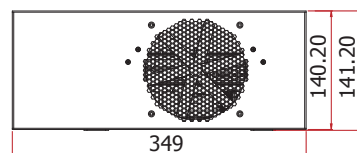
Rear View



Left View



Right View

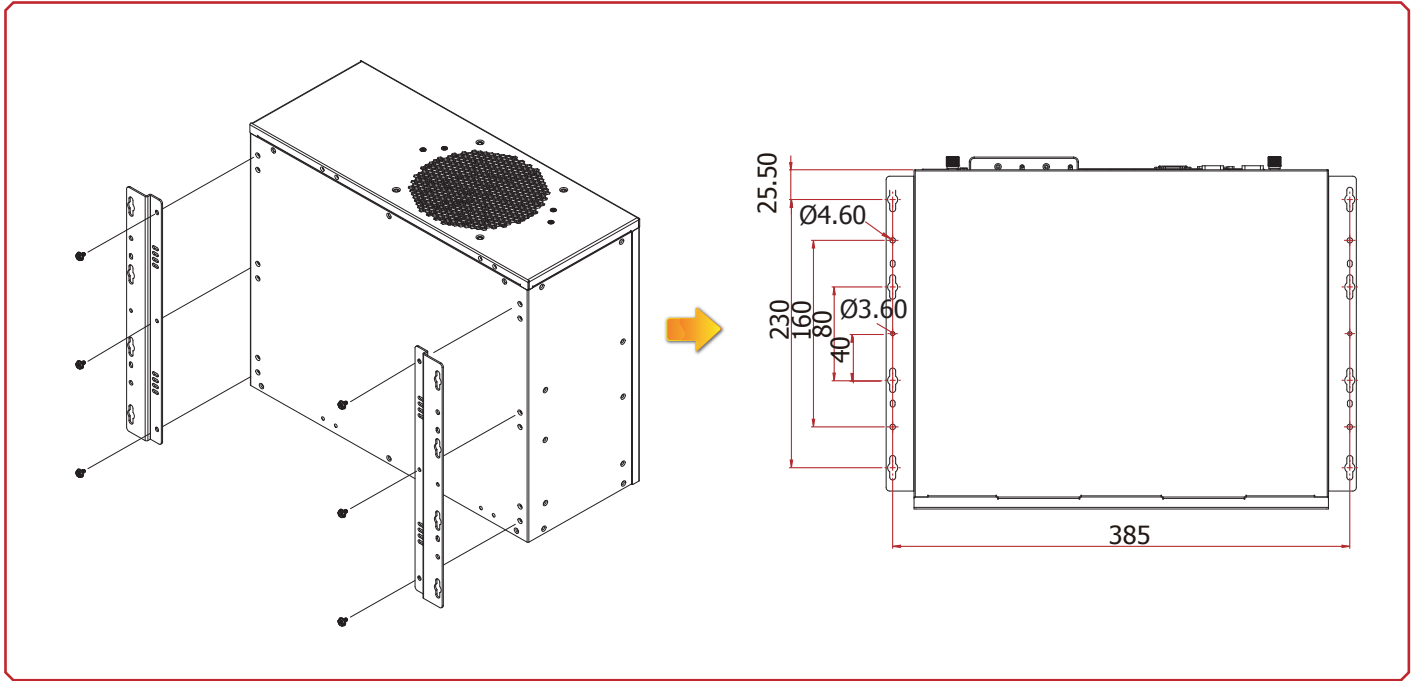


Front View

► Specifications

| | | | |
|-------------------------------------|---------------------------------|---|--|
| SYSTEM | Processor | LGA 1155 Socket 3rd Generation Intel® Core™ Processors Intel® Core™ i7-3770 Processor, 8M Cache, 3.4GHz (3.9GHz), 77W Intel® Core™ i5-3550S Processor, 6M Cache, 3GHz (3.7GHz), 65W Intel® Core™ i3-3220 Processor, 3M Cache, 3.3GHz, 55W Intel® Pentium® Processor G2120, 3M Cache, 3.1GHz, 55W Intel® Celeron® Processor G1620, 2M Cache, 2.7GHz, 55W 2nd Generation Intel® Core™ Processors Intel® Core™ i7-2600 Processor, 8M Cache, 3.4GHz (3.8GHz), 95W Intel® Core™ i5-2400 Processor, 6M Cache, 3.1GHz (3.4GHz), 95W Intel® Core™ i3-2120 Processor, 3M Cache, 3.3GHz, 65W Intel® Pentium® Processor G850, 3M Cache, 2.9GHz, 65W | |
| | Memory | Four 240-pin DIMM up to 32GB | Dual Channel DDR3 1333/1600MHz (3rd gen processors) Dual Channel DDR3 1066/1333MHz (2nd gen processors) |
| | BIOS | AMI SPI 64Mbit | |
| GRAPHICS | Controller | Intel® HD Graphics 4000 (Core i7) | Intel® HD Graphics 2500 (Core i5/i3/Pentium) |
| | Feature | Direct X 11, OGL 3.0 | |
| | Display | MB330-CRM: 1 x DVI-I 1 x DVI-I (DVI-D signal) 1 x HDMI MB331-CRM: 1 x VGA 1 x DVI-I (DVI-D signal) | DVI, HDMI: resolution up to 1920x1200 @ 60Hz VGA: resolution up to 2048x1536 @ 75Hz, 32-bit |
| | Triple/Dual Displays | MB330-CRM: DVI-I + DVI-I + HDMI | MB331-CRM: VGA + DVI-I |
| STORAGE | External | 1 or 2 x 3.5"/2.5" SATA 3.0 Drive Bays (1 x 3.5" SATA drive bay, by default) 1 x 5.25" Optical Drive Bay | |
| EXPANSION | Interface | 1 x PCIe x16 (3rd gen processors support Gen 3) (2nd gen processors support Gen 2) 1 x PCIe x4 (Gen 2) 2 x PCI (PCI 2.3) 1 x Full-size Mini PCIe (PCIe/USB) (MB330-CRM only) | |
| AUDIO | Audio Codec | Realtek ALC886 5.1-channel | |
| ETHERNET | Controller | 1 x Intel® WG82574L PCIe (10/100/1000Mbps) 1 x Intel® WG82579LM PCIe with iAMT8.0 (10/100/1000Mbps) | |
| LED | Indicators | 1 x Power LED 1 x HDD LED | |
| REAR I/O | Ethernet | 2 x GbE (RJ-45) | |
| | Serial | MB330-CRM: 1 x RS-232/422/485 (DB-9) 2 x RS-232 (DB-9) (available upon request) | MB331-CRM: 2 x RS-232/422/485 (DB-9) 2 x RS-232 (DB-9) (available upon request) |
| | USB | MB330-CRM: 4 x USB 3.0 + 2 x USB 2.0 4 x USB 2.0 (available upon request) | MB331-CRM: 4 x USB 3.0 6 x USB 2.0 (available upon request) |
| | PS/2 | MB330-CRM: 1 x PS/2 (mini-DIN-6) | MB331-CRM: 2 x PS/2 (mini-DIN-6) |
| | Display | MB330-CRM: 1 x DVI-I 1 x DVI-I (DVI-D signal) 1 x HDMI | MB331-CRM: 1 x VGA 1 x DVI-I (DVI-D signal) |
| | Audio | 1 x Line-out 1 x Line-in 1 x Mic-in | |
| | Buttons | 1 x Power Button | |
| COOLING | Fan | 1 x System Fan | |
| WATCHDOG TIMER | Output & Interval | System Reset, Programmable via Software from 1 to 255 Seconds | |
| POWER | Supply | Flex ATX 250W | |
| OS SUPPORT | | Windows 7 | Windows 8 |
| MECHANISM | Construction | Sheet Metal | |
| | Mounting | Wall Mount | |
| | Dimensions (W x H x D) | 349mm x 140.2mm x 290.9mm (13.74" x 5.52" x 11.45") | |
| | Weight | TBD | |
| ENVIRONMENT | Operating Temperature | 0 to 45°C | |
| | Storage Temperature | 0 to 60°C | |
| | Relative Humidity | 5 to 95% RH (non-condensing) | |
| STANDARDS AND CERTIFICATIONS | Shock | Operating: 3G | Non-operating: 5G |
| | Vibration | Operating: Random 5~500Hz 0.5G | Non-operating: Sine 10~500Hz 1.5G |
| | Package Drop | ISTA Project 1A | |
| | Certification | CE, FCC Class A, RoHS | |

► Wall Mounting



► Ordering Information

| Model Name | Part Number | Description |
|------------|-----------------|---|
| WM343-MB | 750-WM3430-000G | ATM System, MB330-CRM, 2 LAN, 3 COM, 10 USB, 4 Expansion Slots, Flex ATX 250W, RoHS |
| WM343-MB | 750-WM3430-100G | ATM System, MB331-CRM, 2 LAN, 4 COM, 10 USB, 4 Expansion Slots, Flex ATX 250W, RoHS |

► Optional Items

| Optional Items | Part Number | Description |
|----------------|---------------|---|
| CPU | 785-CP1155DL | CPU, LGA1155, Long-Term Support, RoHS |
| Memory | 785-RL0D38G-L | DIMM, DDR3L Module (supports dual voltage 1.5V DDR3/1.35V DDR3L), 8GB, RoHS |
| | 785-RL0D34G-L | DIMM, DDR3L Module (supports dual voltage 1.5V DDR3/1.35V DDR3L), 4GB, RoHS |
| | 785-RL0D32G | DIMM, DDR3 Module, 2GB, RoHS |
| HDD Tray | TBD | 2.5"/3.5" HDD Tray Kit, RoHS |
| HDD | 785-H351T0B | 3.5" SATA HDD, 1TB, RoHS |
| | 785-H35500G | 3.5" SATA HDD, 500GB, RoHS |
| | 785-H25500G | 2.5" SATA HDD, 500GB, RoHS |
| | 785-H25320G | 2.5" SATA HDD, 320GB, RoHS |
| | 785-S251TBG | 2.5" SATA SSD, 1TB MLC, RoHS |
| | 785-S25512G | 2.5" SATA SSD, 512GB MLC, RoHS |
| | 785-S25256G | 2.5" SATA SSD, 256GB MLC, RoHS |
| | 785-S25128G | 2.5" SATA SSD, 128GB MLC, RoHS |
| | 785-S25064G | 2.5" SATA SSD, 64GB MLC, RoHS |
| Power Cord | 785-PWRD | Power Cord, Standards (USA/EUR/CH), 1.8m, RoHS |
| Wall Mount | TBD | WM343 Wall Mount Kit, RoHS |

► Packing List

| |
|-------------------------------------|
| • 1 WM343-MB System Unit |
| • 1 CPU cooler |
| • 1 SATA Data Cable (Length: 650mm) |
| • 4 HDD Screws |
| • 1 Quick Installation Guide |
| • 1 CD disk includes: |
| - Drivers / Manual |
| • 1 250W PSU |
| • 1 System Fan |