



# IE200-UNB0500

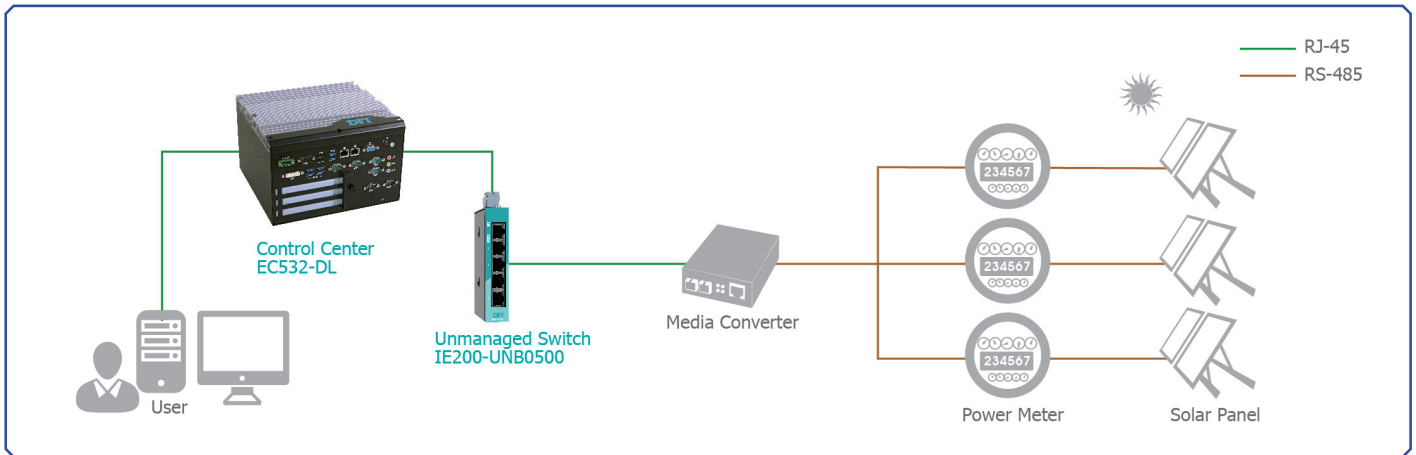


### Features

- 5-port 10/100BASE-T(X)
- Robust switch performance
- Suited for extreme industrial automation environment
- Operates in wide temperature
- Simplified installation with compact size



### Scenario



### Mechanical Drawing

