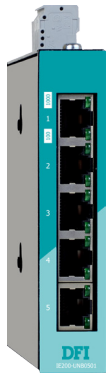




# IE200-UNB0501

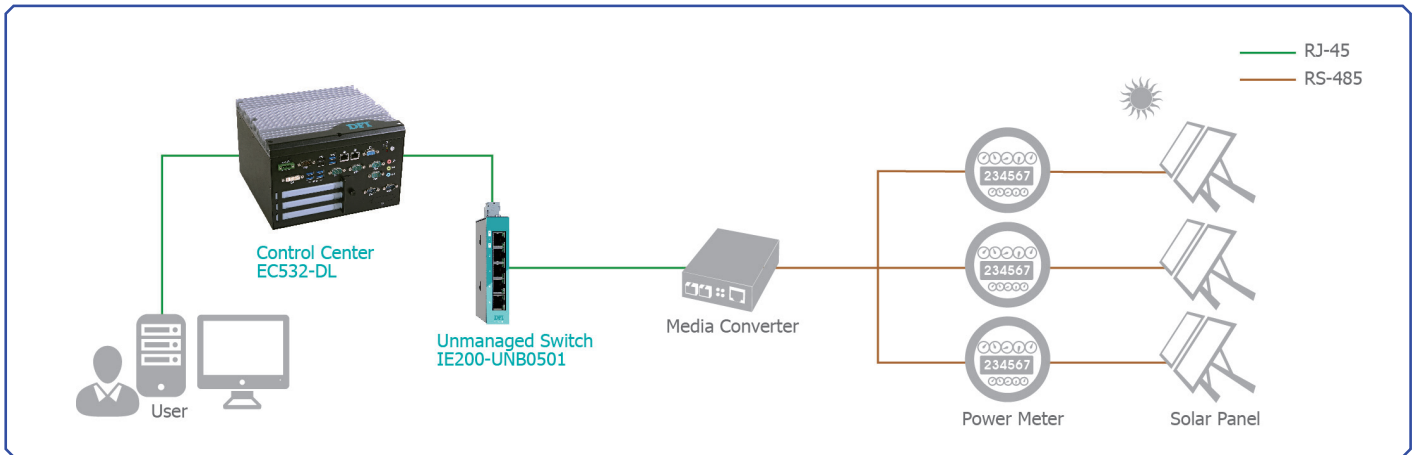


## Features

- 5-port 10/100/1000BASE-T(X)
- Robust switch performance
- Suited for extreme industrial automation environment
- Operates in wide temperature
- Simplified installation with compact size



## Scenario



## Mechanical Drawing

