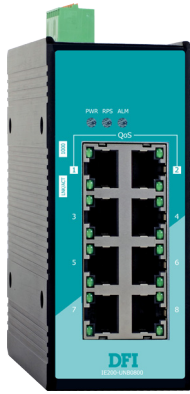




IE200-UNB0800

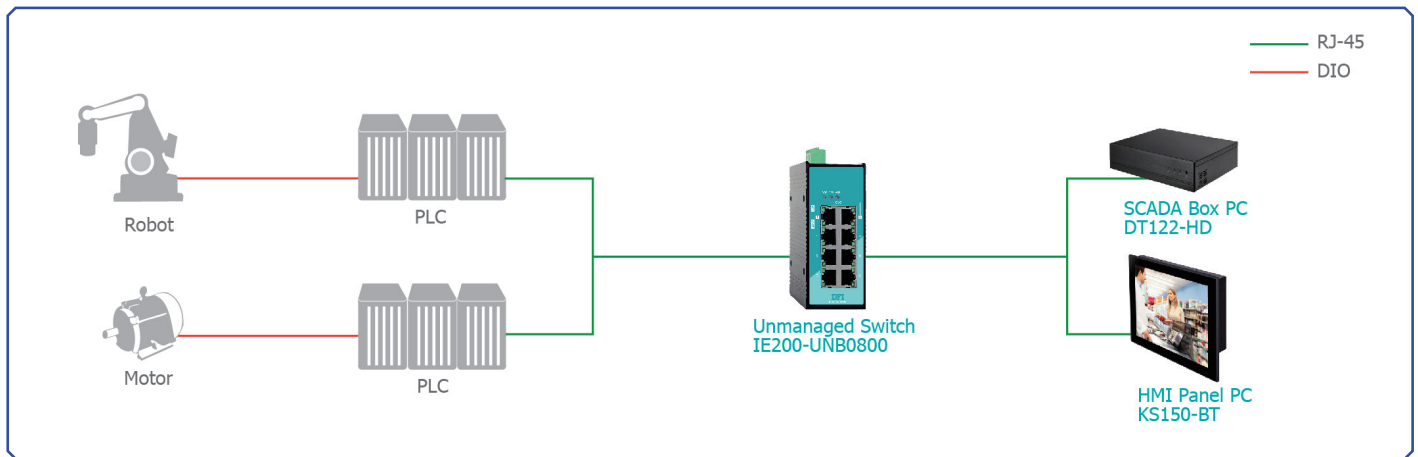


Features

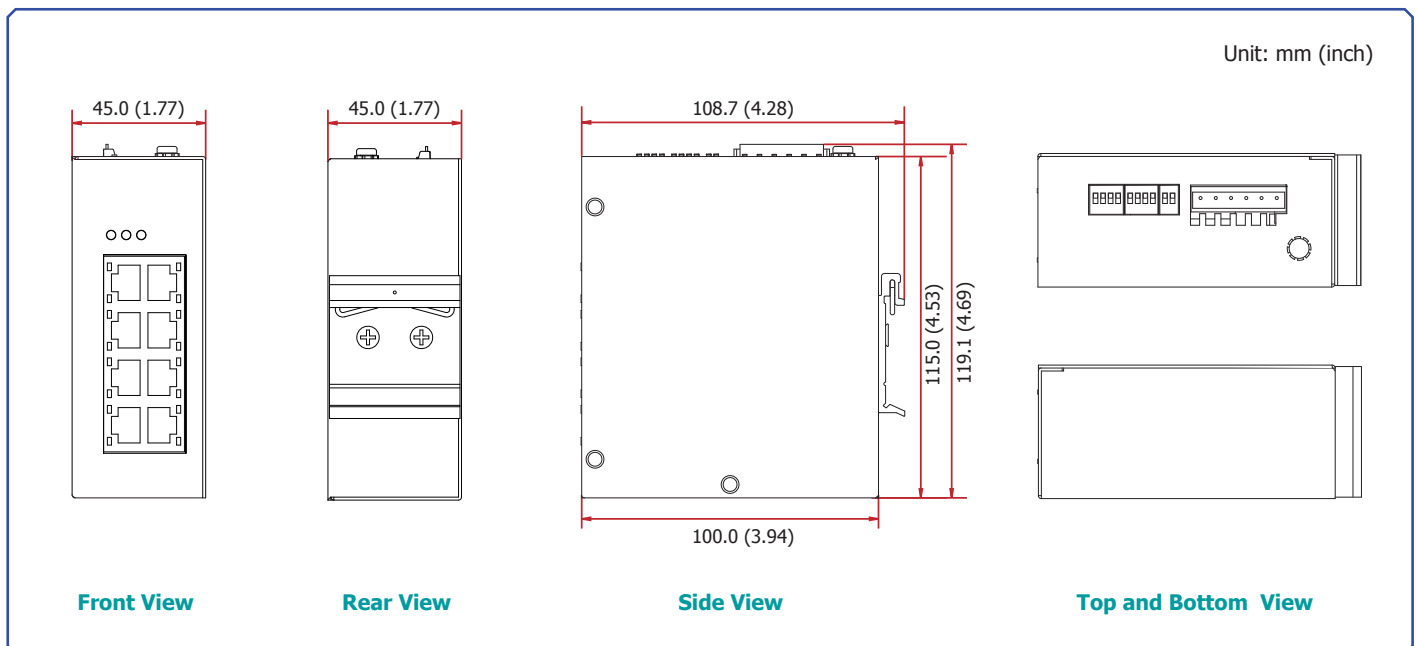
- 8-port 10/100/1000BASE-T(X)
- Eco-friendly energy efficient Ethernet
- Suited for extreme industrial automation environment
- Operates in wide temperature
- Simplified installation with compact size



Scenario



Mechanical Drawing



Specifications

COMMUNICATIONS	Standards	IEEE 802.3 (10BASE-T) IEEE 802.3u (100BASE-TX) IEEE 802.3ab (1000BASE-T) IEEE 802.3x (Flow Control) IEEE 802.3az (Energy Efficient Ethernet) IEEE 802.1p (Quality of Service)	
PERFORMANCE	Jumbo Frame	9.2K	
	MAC Entries	8K	
INTERFACES	Connectors	8 x 10/100/1000BASE-T(X) (RJ-45)	
POWER REQUIREMENTS	Power Input	Primary: 9.6~60V DC	Redundant: 9.6~60V DC
	Power Consumption	5W	
MECHANISM	Enclosure	IP30 Protection	
	Dimensions (W x H x D)	45mm x 115mm x 100mm (1.77" x 4.53" x 3.94")	
	Weight	480 g (1.06 pound)	
ENVIRONMENT	Operating Temperature	0 to 60°C (32 to 140°F)	-40 to 70°C (-40 to 158°F) (Optional)
	Storage Temperature	-40 to 80°C (-40 to 176°F)	
	Operating Humidity	10 to 95% RH (Non-condensing)	
	Storage Humidity	5 to 95% RH (Non-condensing)	
	MTBF	153,477 hrs @ 70°C	
STANDARDS AND CERTIFICATIONS	EMI	FCC Part 15 Subpart B Class A EN 55011 2009 Class A EN 55022 Class A EN 61000-6-4	
	EMS	EN 55024 EN 61000-6-2 IEC 61000-4-2 (ESD) Level 3 IEC 61000-4-3 (RS) Level 3 IEC 61000-4-4 (EFT) Level 3	IEC 61000-4-5 (Surge) Level 3 IEC 61000-4-6 (CS) Level 3 IEC 61000-4-8 (PFMF) IEC 61000-4-11
	Shock	IEC 60068-2-27 (Processing)	
	Freefall	IEC 60068-2-32 (Processing)	
	Vibration	IEC 60068-2-6 (Processing)	

Ordering Information

Model Name	Configuration
IE200-UNB0800	8-port Unmanaged Switch, 8-port 10/100/1000BASE-T(X), 0 to 60°C
IE200-UNW0800	8-port Unmanaged Switch, 8-port 10/100/1000BASE-T(X), -40 to 70°C

Packing List

- 1 IE200-UNB0800/IE200-UNW0800 Switch
- 1 Installation Guide

Optional Items

- Power Adapter (20W, 24V, w/o Power Cord, 1.5m) 671-102001-000G
- Power Cord (Standard: USA, 1.8m) 332-700010-201G
- Power Cord (Standard: EUR, 1.8m) A81-004003-000G
- Power Cord (Standard: CH, 1.8m) A81-000001-000G
- Power Cord (Standard: JP, 1.8m) 332-054034-005G