

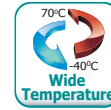


# IE200-UNB1000

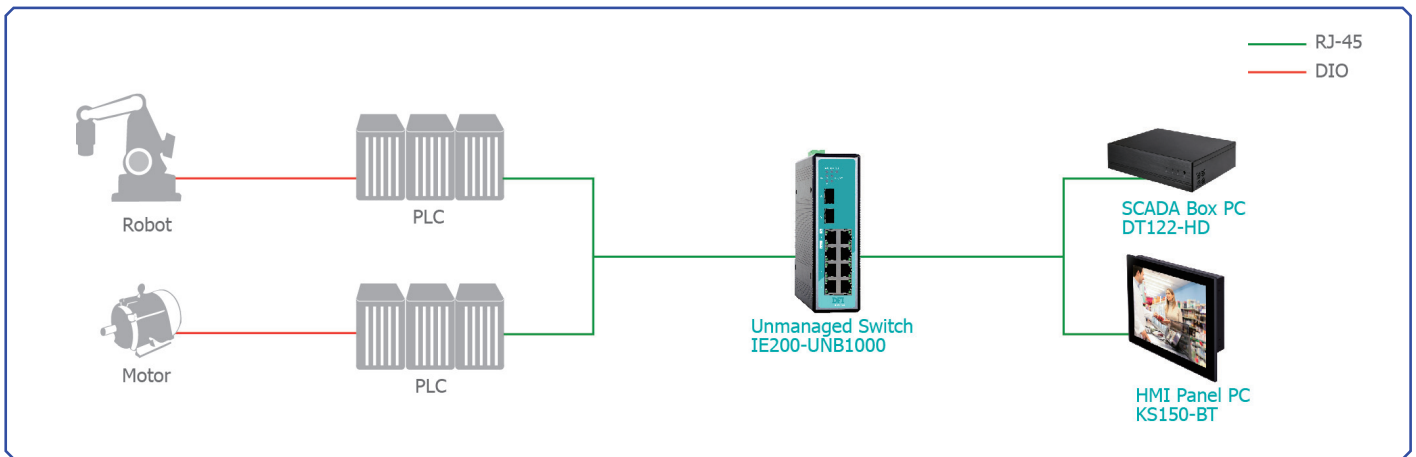


### Features

- 8-port 10/100BASE-T(X) + 2-port 100BASE-FX SFP
- Robust switch performance
- Dual fiber uplinks and redundant DC power inputs
- Operates in wide temperature
- Guarantees against all possible packet loss



### Scenario



### Mechanical Drawing

