



IE200-UPE0600

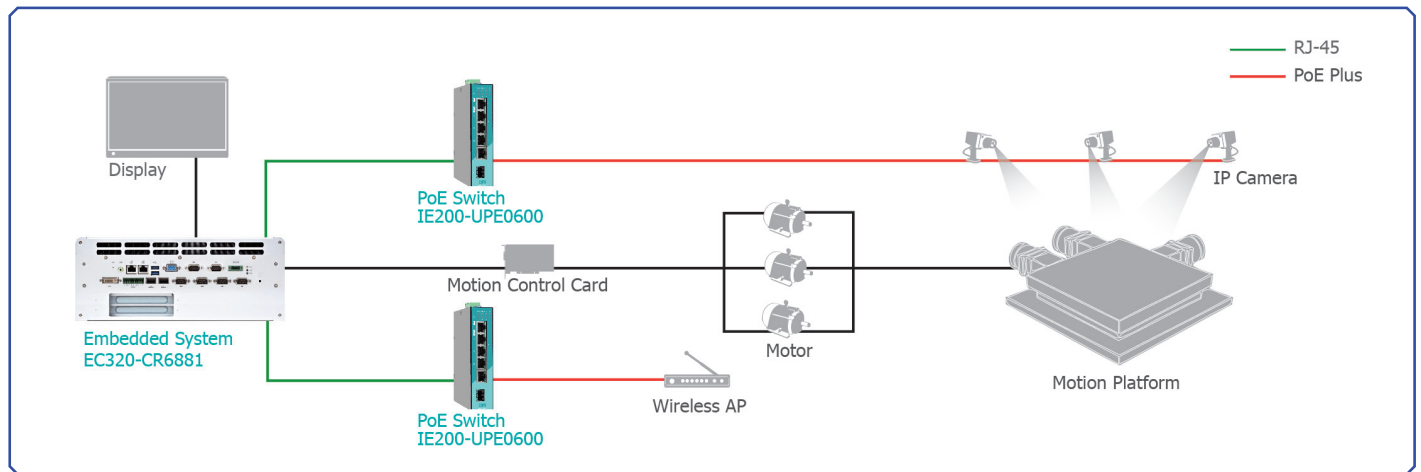


Features

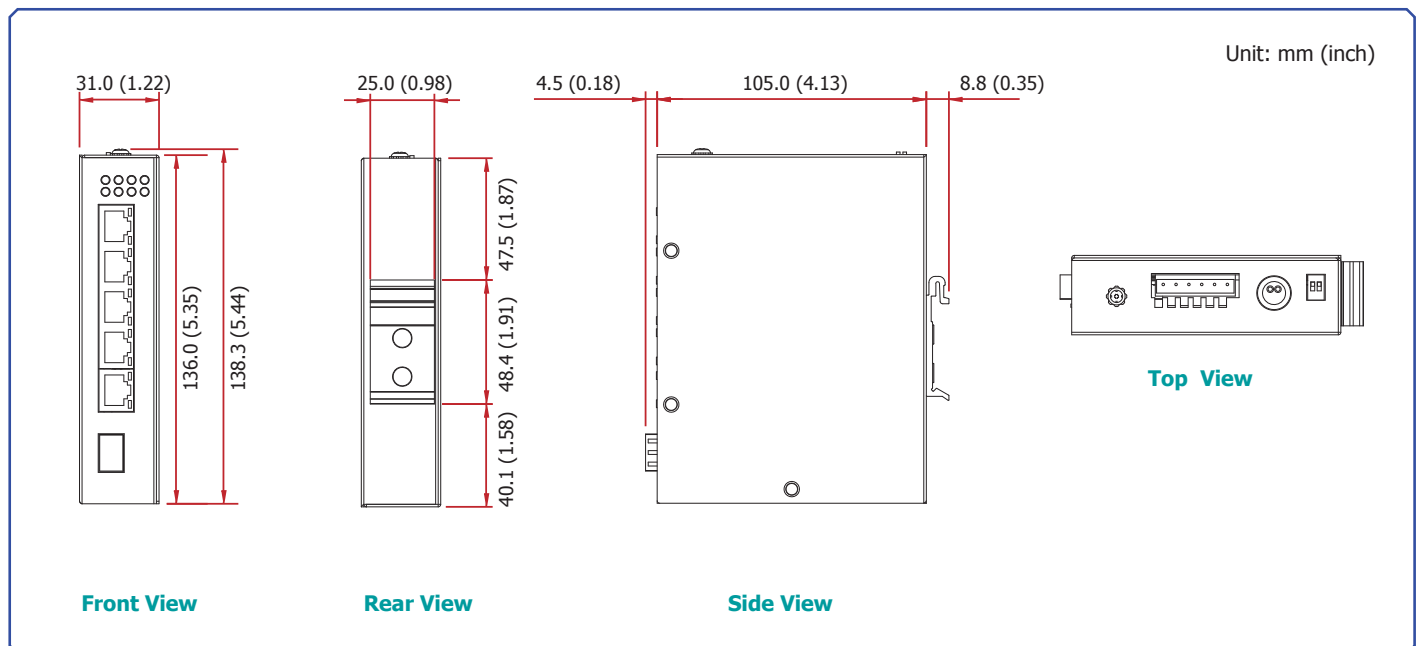
- 4-port 10/100/1000BASE-T(X) PoE Plus + 1-port 10/100/1000BASE-T(X) + 1-port Gigabit SFP
- 4 IEEE 802.3af and IEEE 802.3at PoE Plus standard ports
- Supplies up to 30W in controllable ways
- DIN Rail to power adapter (AC to DC) & terminal block
- High-power budget for PoE network devices



Scenario



Mechanical Drawing



Specifications

COMMUNICATIONS	Standards	IEEE 802.3 (10BASE-T) IEEE 802.3u (100BASE-TX) IEEE 802.3ab (1000BASE-T) IEEE 802.3z (1000BASE-SX/LX) IEEE 802.3x (Flow Control) IEEE 802.3af (PoE) IEEE 802.3at (PoE Plus)
PERFORMANCE	Jumbo Frame	10K
	MAC Entries	8K
INTERFACES	Connectors	4 x 10/100/1000BASE-T(X) PoE Plus (RJ-45) 1 x 10/100/1000BASE-T(X) (RJ-45) 1 x Gigabit SFP
POWER REQUIREMENTS	Power Input	Primary: 48~57V DC Redundant: 48~57V DC
	Power Consumption	10W (System) 130W (4 PoE ports at full load)
MECHANISM	Enclosure	IP30 Protection
	Dimensions (W x H x D)	31mm x 136mm x 105mm (1.22" x 5.35" x 4.13")
	Weight	395 g (0.87 pound)
ENVIRONMENT	Operating Temperature	-20 to 60°C (-4 to 140°F)
	Storage Temperature	-40 to 80°C (-40 to 176°F)
	Operating Humidity	10 to 95% RH (Non-condensing)
	Storage Humidity	5 to 95% RH (Non-condensing)
	MTBF	435,903 hrs @ 25°C
STANDARDS AND CERTIFICATIONS	EMI	FCC Part 15 Subpart B Class A EN 55011 EN 55022 Class A EN 61000-6-4
	EMS	EN 55024 EN 61000-6-2 IEC 61000-4-2 (ESD) Level 4 IEC 61000-4-3 (RS) Level 3 IEC 61000-4-4 (EFT) Level 2 IEC 61000-4-5 (Surge) Level 3 IEC 61000-4-6 (CS) Level 3
	Shock	IEC 60068-2-27 (Processing)
	Freefall	IEC 60068-2-32 (Processing)
	Vibration	IEC 60068-2-6 (Processing)

Ordering Information

Model Name	Configuration
IE200-UPE0600	6-port Unmanaged Switch, 4-port 10/100/1000BASE-T(X) PoE Plus + 1-port 10/100/1000BASE-T(X) + 1-port Gigabit SFP, -20 to 60°C

Packing List

- 1 IE200-UPE0600 Switch
- 1 Installation Guide

Optional Items

- Power Adapter (160W, 48V, w/ Power Cord, 1.2m) 671-116002-000G