

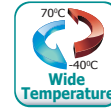


IE500-MPB1300

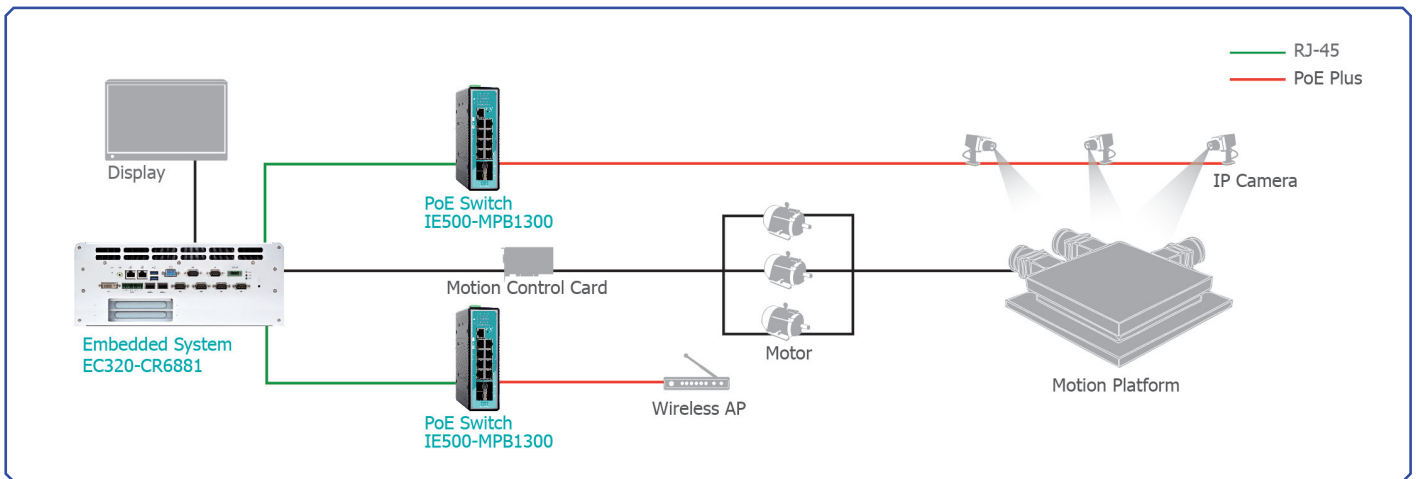


Features

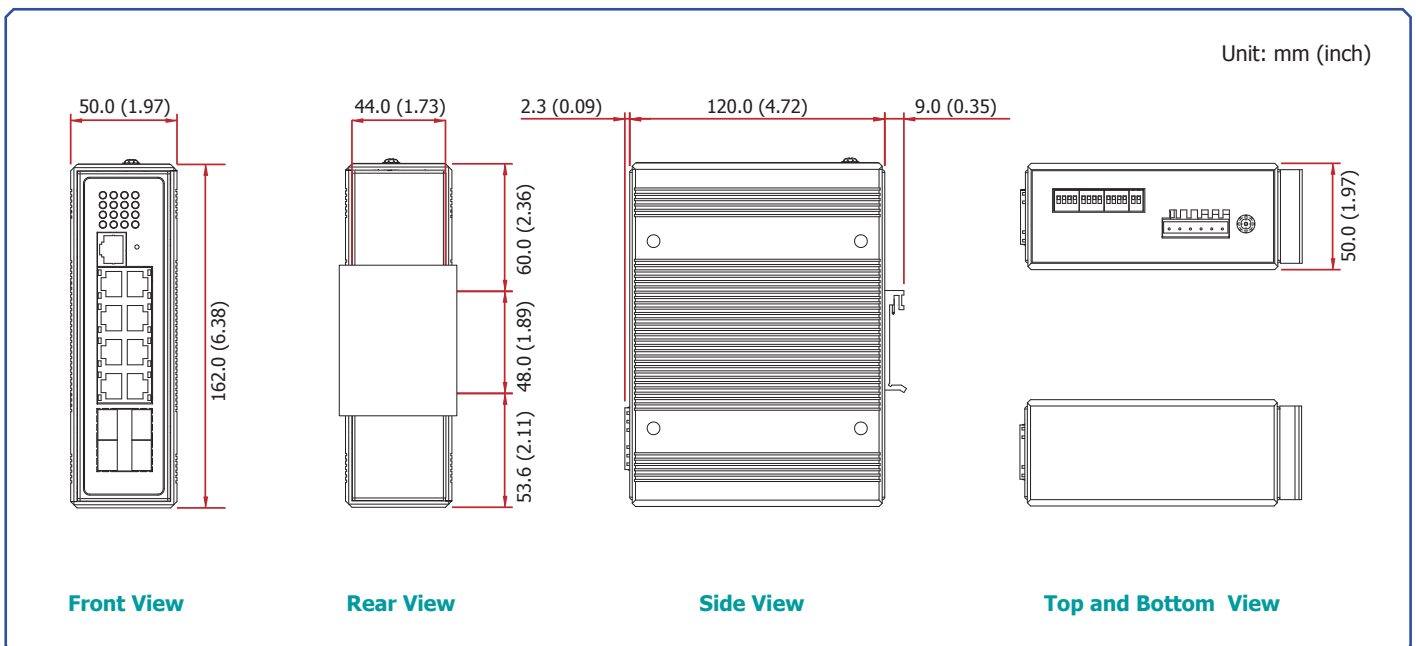
- 8-port 10/100/1000BASE-T(X) PoE Plus + 4-port Gigabit SFP + 1-port Console
- 8 IEEE 802.3af and IEEE 802.3at PoE Plus standard ports
- Supplies up to 30W per port for network attached devices
- Efficient network monitoring and proactive capability
- Redundant ring and fast recovery for surveillance system



Scenario



Mechanical Drawing



Specifications

COMMUNICATIONS	Standards	IEEE 802.3 (10BASE-T) IEEE 802.3u (100BASE-TX) IEEE 802.3ab (1000BASE-T) IEEE 802.3z (1000BASE-SX/LX) IEEE 802.3x (Flow Control) IEEE 802.3ad (Link Aggregation) IEEE 802.1D (STP)	IEEE 802.1w (RSTP) IEEE 802.1p (CoS Prioritization) IEEE 802.1Q (VLAN Tagging) IEEE 802.1X (Port Authentication) IEEE 802.3af (Power over Ethernet) IEEE 802.3at (Power over Ethernet Plus)
PERFORMANCE	Jumbo Frame	10K	
	MAC Entries	16K	
NETWORKING FEATURES	Configuration	Configuration Upload/Download Command Line Interface Firmware Upgradable Management VLAN	SNMP v1/v2c Syslog WebGUI Telnet
	VLAN	4K Active VLAN GARP/GVRP	Port-based VLAN IEEE 802.1Q
	Redundancy	Dual Homing Proprietary Ring	STP/RSTP
	Security	Access Control List DHCP Snooping Port Security	802.1X Port Authentication MAC Limitation SSH
	Traffic Control	IGMP Snooping/Querier Abnormal Traffic Detection Rate Limitation Port Isolation Loop Detection	Link Aggregation Storm Control Flow Control MVR QoS
	Diagnostics	Port Mirroring E-mail Alarm Port Statistic LED Status SNMP Trap	SFP DDMI SNTP RMON Syslog
INTERFACES	Connectors	8 x 10/100/1000BASE-T(X) PoE Plus (RJ-45) 4 x Gigabit SFP 1 x Console Port (RS-232)	
POWER REQUIREMENTS	Power Input	Primary: 36~60V DC	Redundant: 36~60V DC
	Power Consumption	18W (System)	260W (8 PoE ports at full load)
MECHANISM	Enclosure	IP30 Protection	
	Dimensions (W x H x D)	50mm x 162mm x 120mm (1.97" x 6.38" x 4.72")	
	Weight	860 g (1.90 pound)	
ENVIRONMENT	Operating Temperature	0 to 60°C (32 to 140°F)	-40 to 70°C (-40 to 158°F) (Optional)
	Storage Temperature	-40 to 80°C (-40 to 176°F)	
	Operating Humidity	10 to 95% RH (Non-condensing)	
	Storage Humidity	5 to 95% RH (Non-condensing)	
	MTBF	99,992 hrs @ 70°C	
STANDARDS AND CERTIFICATIONS	EMI	FCC Part 15 EN 55022 Class A	EN 55011 2009 Class A EN 61000-6-4
	EMS	EN 55024 EN 61000-6-2 IEC 61000-4-2 (ESD) Level 3 IEC 61000-4-3 (RS) Level 3	IEC 61000-4-4 (EFT) Level 3 IEC 61000-4-5 (Surge) Level 3 (L to PE 3KV) IEC 61000-4-6 (CS) Level 3
	Marine	DNV 2.4 IACS E10	IEC 60945
	Shock	IEC 60068-2-27 (Processing)	
	Freefall	IEC 60068-2-32 (Processing)	
	Vibration	IEC 60068-2-6 (Processing)	

Ordering Information

Model Name	Configuration
IE500-MPB1300	13-port Managed Switch, 8-port 10/100/1000BASE-T(X) PoE Plus + 4-port Gigabit SFP + 1-port Console, 0 to 60°C
IE500-MPW1300	13-port Managed Switch, 8-port 10/100/1000BASE-T(X) PoE Plus + 4-port Gigabit SFP + 1-port Console, -40 to 70°C

Packing List

- 1 IE500-MPB1300/IE500-MPW1300 Switch
- 1 Console Cable
- 1 Installation Guide

Optional Items

- Power Adapter (480W, 48V, w/o Power Cord, 1.2m) 671-748001-000G