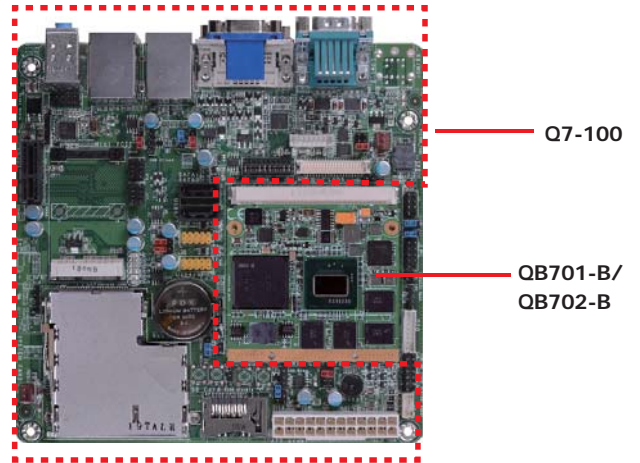


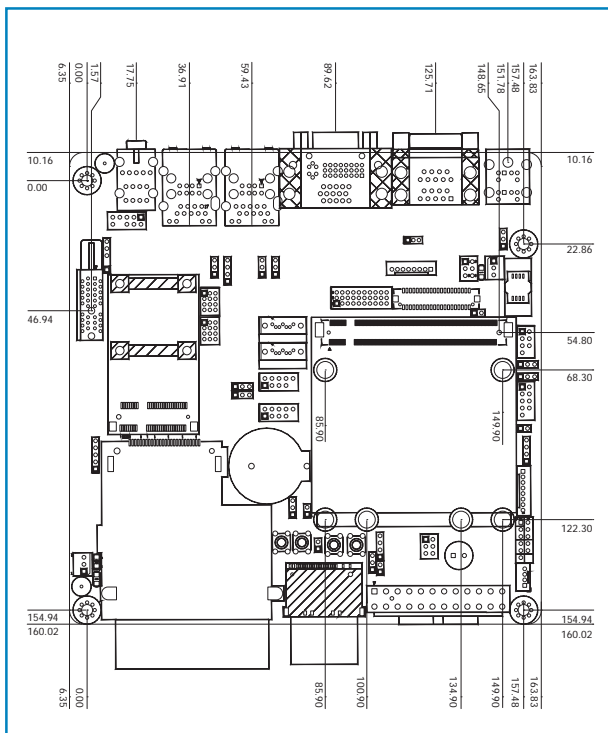
Features

| | |
|-----------------|---------------------------------------|
| EXPANSION | 1 PCIe x1, 1 Mini PCIe, 1 ExpressCard |
| DISPLAY OUTPUTS | 1 DVI-I, 1 VGA, 1 LVDS |
| LAN | 2 Gigabit LAN ports |
| COM | 2 RS232 COM |
| USB | 8 USB 2.0 |
| STORAGE | 2 SATA 3.0, 1 SD/MMC |
| DIO | 8-bit DIO |
| DIMENSIONS | 170mm x 170mm (6.7" x 6.7") |

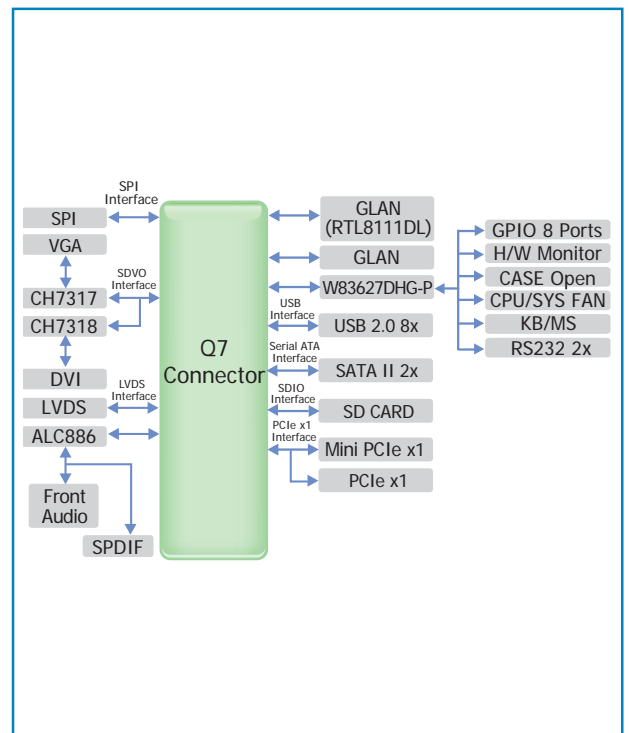
For QB702-B and QB701-B



Mechanical Drawing



Block Diagram



Specifications

GRAPHICS FEATURES

- Chrontek CH7317B (SDVO to RGB DAC)

LAN FEATURES

- 2 LAN ports
 - LAN1: Gigabit Ethernet supported by the Qseven module
 - LAN2: Realtek RTL8111DL PCIe Gigabit Ethernet controller

AUDIO FEATURES

- Realtek ALC886 5.1-channel High Definition Audio
- Audio outputs: Mic-in/Center+Subwoofer, line-in/surround and line out
- S/PDIF audio interface

STORAGE

- 2 SATA 3.0 ports with data transfer rate up to 6Gb/s
- 1 SD/MMC slot

I/O CHIP FEATURES

- Winbond 83627DHG-P controller
- LPC interface
- Supports system fan
- Default I/O port address "2Eh"

EXPANSION SLOTS

- 1 PCIe x1 slot
- 1 Mini PCIe slot
 - Supports half/full size Mini PCIe card
- 1 ExpressCard slot

REAR PANEL I/O PORTS

- 2 DB-9 RS232 serial ports
- 1 DB-15 VGA port
- 1 DVI-I port (DVI-D signal)
- 2 RJ45 LAN ports
- 4 USB 2.0/1.1 ports
- Mic-in/Center+Subwoofer, line-in/surround and line out

I/O CONNECTORS

- 2 connectors for 4 external USB 2.0/1.1 ports
- 1 LPC connector
- 1 I²C connector
- 1 CAN-bus connector
- 1 LVDS LCD panel connector
 - 18/24-bit single channel
- 1 LCD/inverter power connector
- 1 8-bit Digital I/O connector
- 1 front audio connector for line-out and mic-in jacks
- 1 S/PDIF connector
- 2 Serial ATA connectors
- 1 24-pin ATX power connector
- 1 chassis intrusion connector
- 1 front panel connector
- 2 fan connectors

DAMAGE FREE INTELLIGENCE

- Monitors system temperature and overheat alarm
- Monitors system fan speed and failure alarm

TEMPERATURE

- Operating: 0°C to 60°C
- Storage: -20°C to 85°C

HUMIDITY

- Operating: 10% to 90%

BOARD TO BOARD CONNECTORS

- One MXM connector

Dimensions

- Mini-ITX form factor
- 170mm (6.7") x 170mm (6.7")

CERTIFICATION

- CE
- FCC Class B
- RoHS

Packing List

- 1 Q7-100 board
- 1 Serial ATA data cable
- 1 I/O shield
- 1 DVD
- 1 QR (Quick Reference)

Optional Items

- Serial ATA data cable
- USB port cable
- I/O shield
- Serial ATA power cable

DFI reserves the right to change the specifications at any time prior to the product's release. Changes thereafter will be based on the product's revision. Please contact your sales representative for the exact revision offered in your area. All product names mentioned are trademarks of their respective companies. Refer to the website (www.dfi.com) for the most updated information. COM Express® is a registered trademark of the PCI Industrial Computer Manufacturers Group © March 22, 2013 DFI Inc.