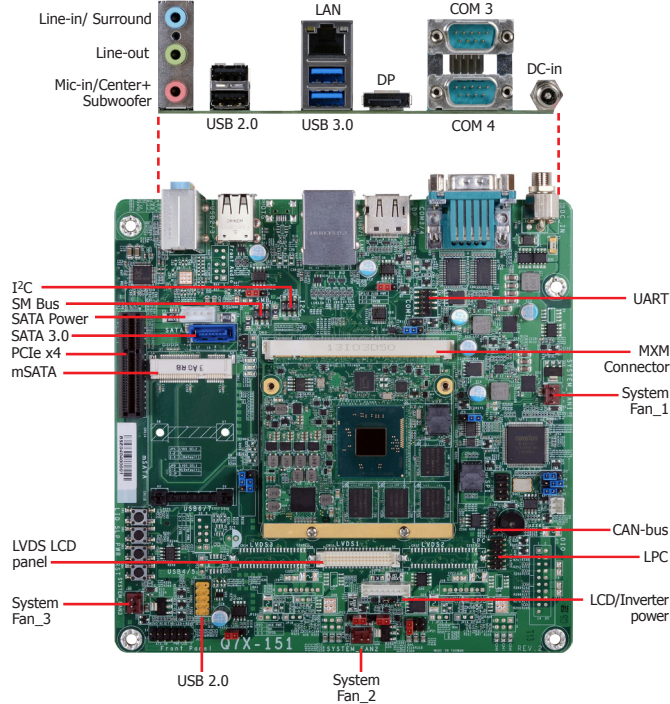


## Q7X-151

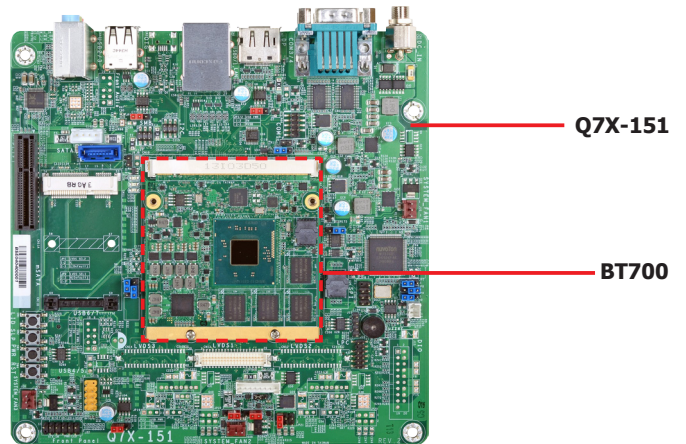


### Features

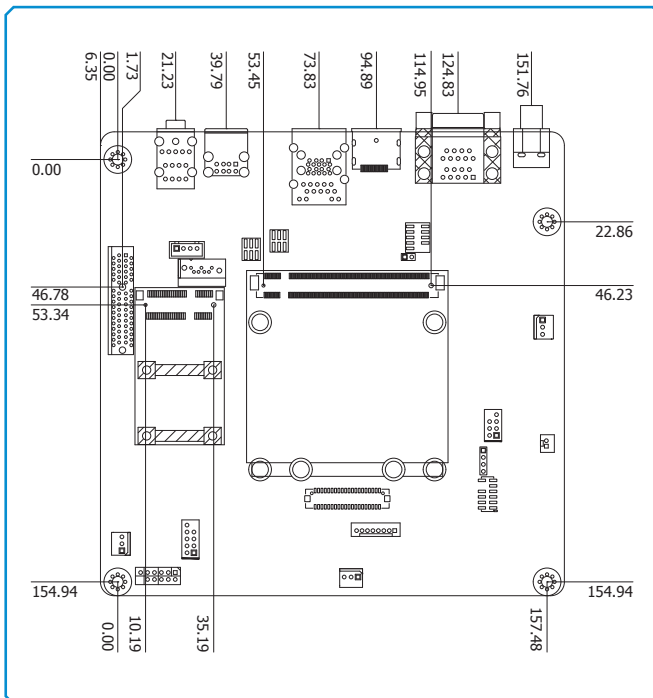
EXPANSION	1 PCIe x4 1 SDIO
DISPLAY OUTPUTS	1 LVDS, 1 DP
LAN	1 LAN
COM	2 COM
USB	1 USB 3.0, 6 USB 2.0
STORAGE	1 SATA 3.0 1 mSATA
DIMENSIONS	170mm x 170mm (6.7" x 6.7")



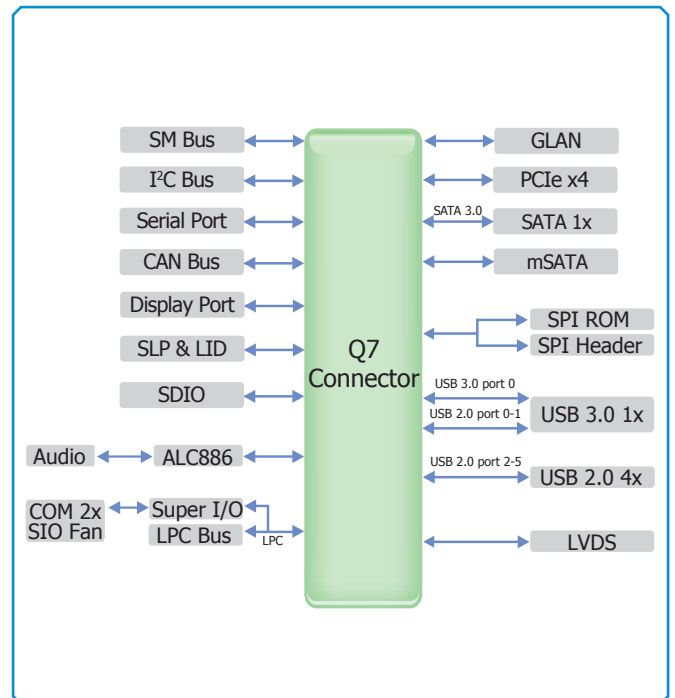
### For BT700



### Mechanical Drawing



### Block Diagram



## Q7X-151

## ► Specifications \* Optional and is not supported in standard model. Please contact your sales representative for more information.

### ONBOARD GRAPHICS FEATURES

- Display ports
  - 1 dual channel LVDS
  - 1 DP port

### ONBOARD AUDIO FEATURES

- Realtek ALC886 5.1-channel High Definition Audio
- Audio outputs: Mic-in/Center+Subwoofer, line-in/surround and line out

### ONBOARD USB FEATURES

- 1 USB 3.0 and 6 USB 2.0 ports

### STORAGE

- 1 SATA 3.0 port with data transfer rate up to 6Gb/s
  - SATA port provides adequate space for SATA DOM
- 1 mSATA port

### REAR PANEL I/O PORTS

- 1 12V DC-in jack
- 2 DB-9 RS232 serial ports
- 1 DP port
- 1 RJ45 LAN port
- 1 USB 3.0 port
- 2 USB 2.0 type A ports
- Mic-in/Center+Subwoofer, line-in/surround and line out jacks

### I/O CONNECTORS

- 1 connector for 2 external USB 2.0/1.1 ports
- 2 UART ports
  - 1 supports TX/RX signal only (UART 2)
- 1 LVDS LCD panel connector
- 1 LCD/inverter power connector
- 1 Serial ATA connector
- 1 Serial ATA power connector
- 1 mSATA port
- 1 LPC connector
- 1 I<sup>2</sup>C connector
- 1 SMBus connector
- 1 CAN-bus connector
- 1 front panel connector
- 3 fan connectors

### EXPANSION SLOTS

- 1 PCIe x4 slot
- 1 SDIO socket

### WATCHDOG TIMER

- Watchdog timeout programmable via software from 1 to 255 seconds

### DAMAGE FREE INTELLIGENCE

- Monitors system temperature and overheat alarm
- Monitors system fan speed and failure alarm

### ROM INTERFACE

- 1 SPI interface
  - Supports up to 64Mbit

### TEMPERATURE

- Operating: 0°C to 60°C
- Storage: -20°C to 85°C

### HUMIDITY

- 5% to 90%

### BOARD TO BOARD CONNECTORS

- One MXM connector

### DIMENSIONS

- Mini-ITX form factor
- 170mm (6.7") x 170mm (6.7")

## ► Packing List

- |   |
|---|
| • 1 Q7X-151 board                                     |
| • 1 Serial ATA data with power cable: 332-553001-005G |
| • 1 I/O shield: A49-Q7X151-000G                       |
| • 1 DVD   |

## ► Optional Items

- |   |
|---|
| • USB port cable: 332-253010-026G                     |
| • I/O shield: A49-Q7X151-000G                         |
| • Power adapter (100W, 12V, Level 6): 671-110002-100G |