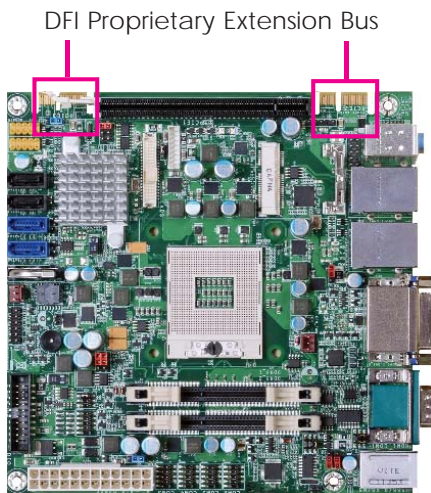
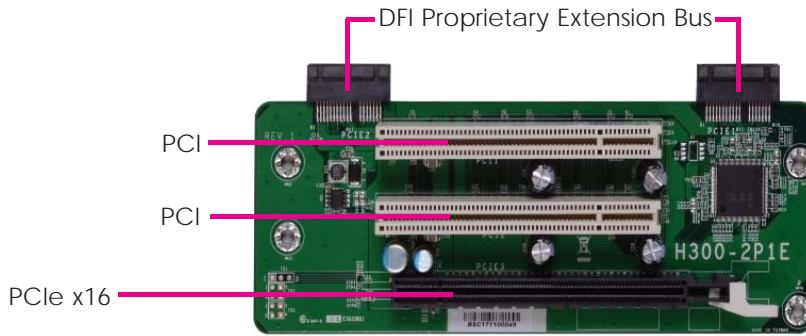
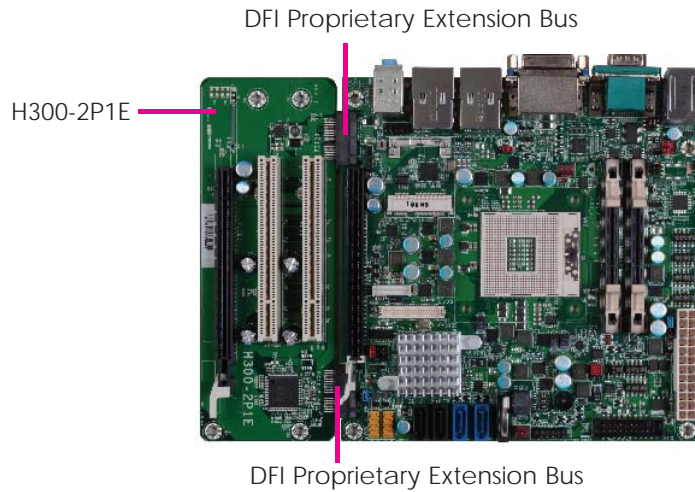


H300-2P1E

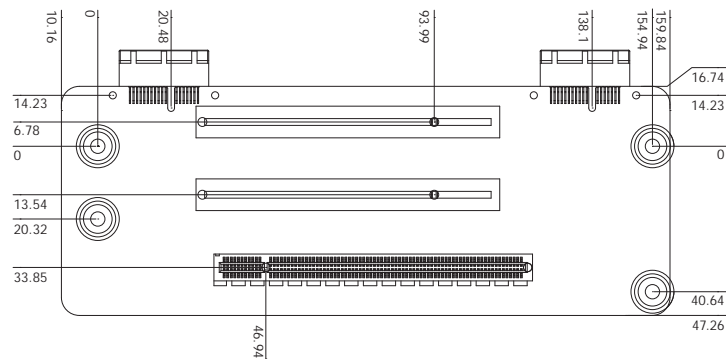
PCIe/PCI Riser Card



Motherboard



H300-2P1E Connected to the Motherboard



Mechanical Diagram

Specifications

Expansion Slots

- 1 PCIe x16 slot (x1 signal)
- 2 PCI slots
 - PCI 2.3, 32-bit, 33MHz

Interface

- 2 DFI Proprietary Extension Bus
 - Connects to the 2 DFI Proprietary Extension Bus of the Motherboard

Dimensions

- 170 mm (6.7") x 64 mm (2.52")

Applicable Motherboards

- HR100-CRM, CR100-CRM, CM100-C