

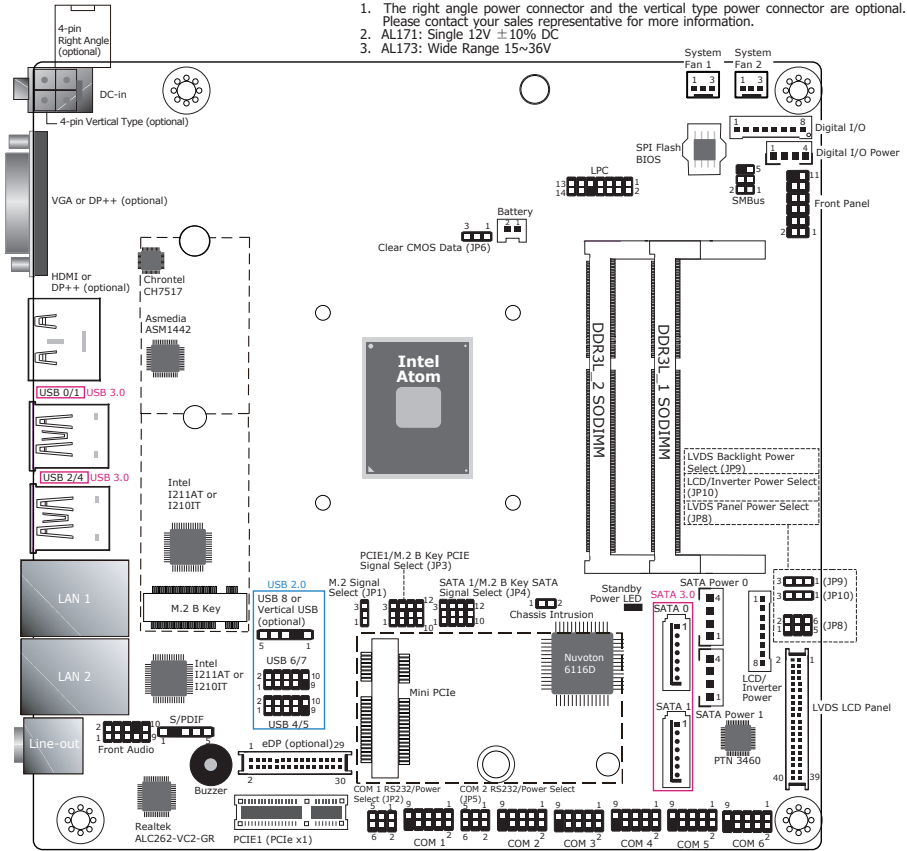
DFI

AL171/AL173

Board Layout and Jumper Settings

Note:

1. The right angle power connector and the vertical type power connector are optional. Please contact your sales representative for more information.
2. AL171: System 12V $\pm 10\%$ DC
3. AL173: Wide Range 15 \sim 36V



LVDS Panel Power Select	JP8
-------------------------	-----

+12V	1-2 On
+5V	3-4 On
+3.3V (default)	5-6 On

LVDS Backlight Power Select	JP9
-----------------------------	-----

+3.3V (default)	1-2 On
+5V	2-3 On

LCD/Inverter Power Select	JP10
---------------------------	------

+12V (default)	1-2 On
+5V	2-3 On

PCIe1/M.2 B Key PCIe Signal Select	JP3
------------------------------------	-----

PCIe1 (default)	1-2, 4-5, 7-8, 10-11 On
M.2 B key PCIe	2-3, 5-6, 8-9, 11-12 On

SATA 1/M.2 Key SATA Signal Select	JP4
-----------------------------------	-----

SATA1 (default)	1-2, 4-5, 7-8, 10-11 On
M.2 B Key SATA	2-3, 5-6, 8-9, 11-12 On

COM Ports RS232/Power Select	COM1 (JP5), COM2 (JP2)
------------------------------	------------------------

RS232 (default)	1-3 (RI-), 2-4 (DCD-) On
RS232 with power	3-5 (+5V), 4-6 (+12V) On

M.2 M Signal Select	JP1
SATA (default)	1-2 On
PCIe	2-3 On

Clear CMOS Data	JP6
Normal (default)	1-2 On
Clear CMOS Data	2-3 On

Pin Assignments for I/O Connectors

Chassis Intrusion

Pin	Function	Pin	Function
1	Signal	2	GND

COM Ports (COM 1-6)

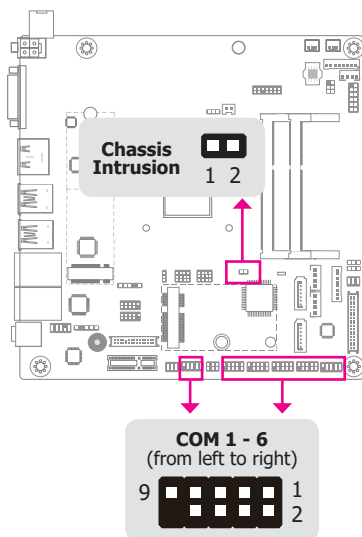
Pin	RS232	RS422 Full Duplex	RS485
1	DCD-	RXD+	DATA+
2	RXD	RXD-	DATA-
3	TXD	TXD+	NC
4	DTR-	TXD-	NC
5	GND	GND	GND
6	DSR-	NC	NC
7	RTS-	NC	NC
8	CTS-	NC	NC
9	RI-	NC	NC

SMBus

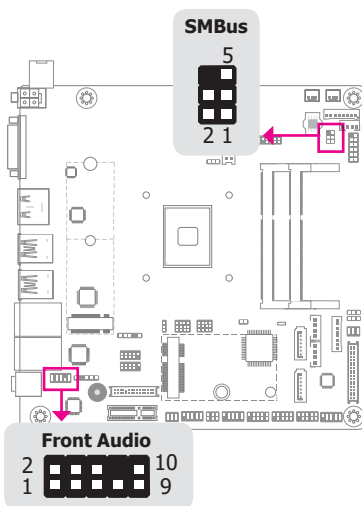
Pin	Assignment	Pin	Assignment
1	3V3SB	2	GND
3	SMBus_Clock	4	SMBus_DATA
5	SMBus_Alert	6	---

Front Audio

Pin	Assignment	Pin	Assignment
1	Mic-L	2	GND
3	Mic-R	4	N.C.
5	Line-R	6	Mic-JD
7	GND	8	---
9	Line-L	10	Line-JD



Note: All three modes, i.e. RS232, RS422 Full Duplex, and RS485 are available for COM 1 & 2. Only RS232 is available for COM 3 - 6.



Front Panel

Pin	Assignment	Pin	Assignment
1	N.C.	2	3V3SB
3	3V3	4	3V3SB
5	DGG-LED	6	Power_LED
7	GND	8	GND
9	Reset	10	Power_Button
11	N.C.	12	---

LPC

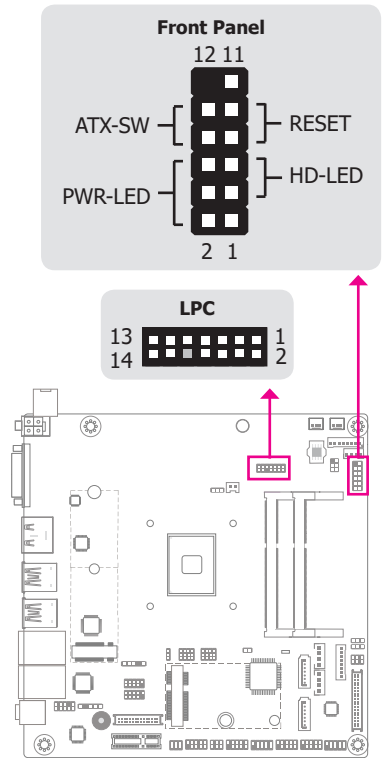
Pin	Assignment	Pin	Assignment
1	L_CLK	2	L_LAD1
3	L_RST#	4	L_LAD0
5	L_FRAME#	6	3.3V
7	L_LAD3	8	GND
9	L_LAD2	10	---
11	INT_SERIRQ	12	GND
13	5VSB	14	5V

Digital I/O (DIO)

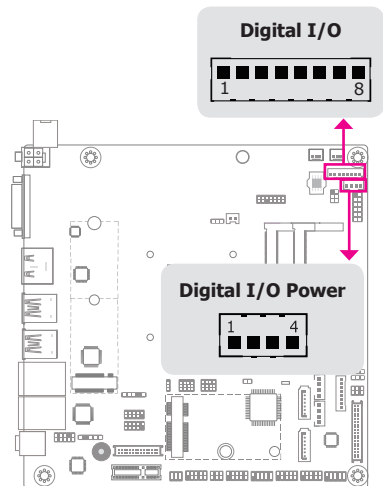
Pin	Function	Pin	Function
1	DIO0	2	DIO1
3	DIO2	4	DIO3
5	DIO4	6	DIO5
7	DIO6	8	DIO7

Digital I/O Power

Pin	Assignment	Pin	Assignment
1	+12V	2	Ground
3	5VDU	4	+5V



Note: The LPC connector can be mounted with an EXT RS232/RS485 card for 4 additional COM ports.



USB 2.0 Headers (for Internal I/O USB 8)

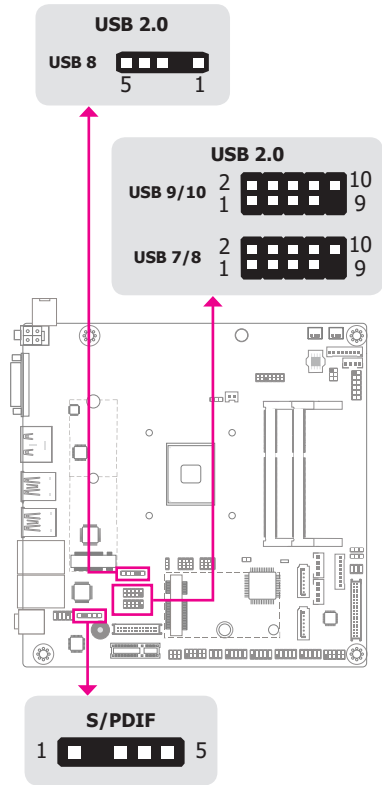
Pin	Assignment	Pin	Assignment
1	GND	2	---
3	Data+	4	Data-
5	VCC		

USB 2.0 Headers (for Internal I/O USB 4-7)

Pin	Assignment	Pin	Assignment
1	VCC	2	VCC
3	DATA-	4	DATA-
5	DATA+	6	DATA+
7	GND	8	GND
9	---	10	NC

S/PDIF

Pin	Assignment	Pin	Assignment
1	+5V	2	---
3	SPOUT	4	GND
5	SPIN		



DFI reserves the right to change the specifications at any time prior to the product's release. For the latest information about the product, please visit the document download page at go.dfi.com/AL171 or via the QR code to the right. AL171 and AL173 are addressed in the same technical document.

