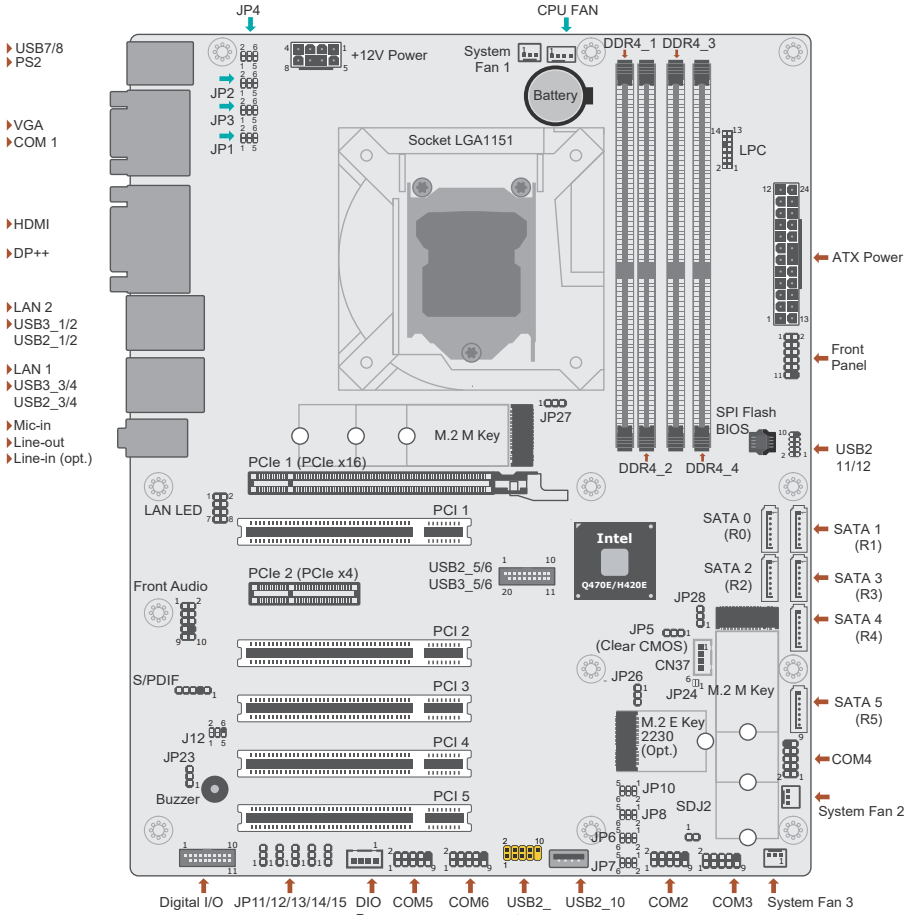


Board Layout and Jumper Settings



Clear CMOS Data	JP5
Normal (default)	1-2 On
Clear CMOS Data	2-3 On

COM1 / COM2 RS232/422/485	JP3/10
RS232 (default)	1-3, 4-6 On
RS422 Full Duplex	3-5, 4-6 On
RS485	3-5, 2-4 On

COM1 / COM2 RS232/422/485	JP1/2
RS232 (default)	1-3, 2-4 On
RS422 Full Duplex	3-5, 4-6 On
RS485	3-5, 4-6 On

COM1 / COM2 RS232 Power	JP4/7
RS232 (default)	1-3, 2-4 On
RS232 with power	3-5, 4-6 On

Digital I/O Power select	JP15
+5VSB (default)	1-2 On
+5V	2-3 On

AT / ATX Mode	JP26
GND (default)	1-2 On
3V3SB	2-3 On

Digital I/O Output	JP11 DIO 0-3 PWR JP12 DIO 4-7 PWR JP13 DIO 8-11 PWR JP14 DIO 12-15 PWR
DIO PWR (default)	1-2 On
GND	2-3 On

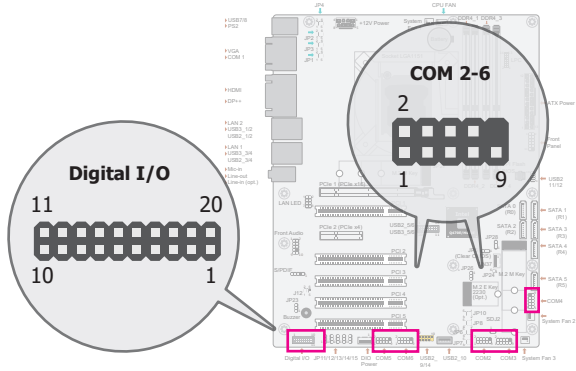
PWM Control	JP23
5VDU (default)	1-2 On
5V	2-3 On

M.2 Power Control	JP27/JP28
3V3 (default)	1-2 On
3V3DU	2-3 On

Pin Assignment

JP24 Innoage Functions

Pin	Function
1	INNOAGE_PCRST#
2	INNOAGE_RECOV#
3	INNOAGE_PWRLED#
4	INNOAGE_HDDLED#
5	INNOAGE_PWRBTN#
6	GND



COM Ports (COM 2-6)

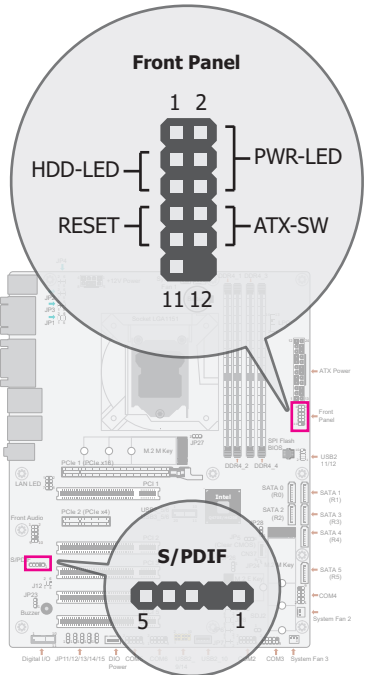
Pin	RS232	RS232 with Power	RS422 Full Duplex	RS485
1	DCD-	+12V	RO	RO
2	SIN-	RD	REB	REB
3	SO-	TD	DE	DE
4	DTR-	DTR-	DI	DI
5	GND	GND	GND	GND
6	DSR-	DSR-	+5V	+5V
7	RTS-	RTS-	GND	GND
8	CTS-	CTS-	+5V	+5V
9	RI-	+5V	N.C.	N.C.

JP24 Innoage Functions

Pin	Function	Pin	Function
1	GND	2	GND
3	DIO7	4	DIO6
5	DIO5	6	DIO4
7	DIO3	8	DIO2
9	DIO1	10	DIO0
11	DIO8	12	DIO9
13	DIO10	14	DIO11
15	DIO12	16	DIO13
17	DIO14	18	DIO15
19	GND	20	---

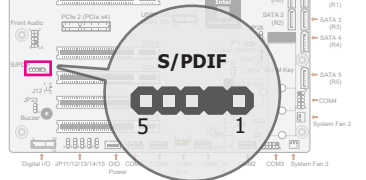
Front Panel

Pin	Assignment	Pin	Assignment
1	N.C.	2	LED Power
3	HDD Power	4	LED Power
5	Signal	6	Signal
7	Ground	8	Ground
9	Signal	10	Signal
11	N.C.	12	---



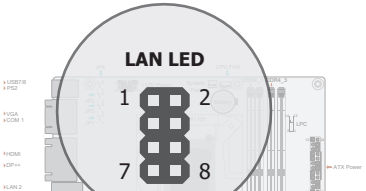
S/PDIF

Pin	Assignment	Pin	Assignment
1	+5V	2	---
3	SPDIF Out	4	GND
5	SPDIF In		



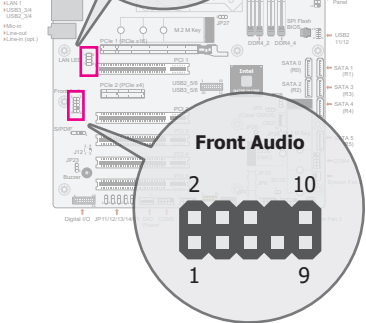
LAN LED

Pin	Assignment	Pin	Assignment
1	GBE_LED_1000-	2	GBE_LED_100-
3	GBE_LED_LINK_ACT-	4	3V3DU
5	LINK_1000_2	6	LINK_100_2
7	LINK_ACTIVITY_2	8	3V3DU



Front Audio

Pin	Assignment	Pin	Assignment
1	Mic2-L	2	GND
3	Mic2-R	4	N.C.
5	Line2-R	6	Mic2-JD
7	Front I/O Sense	8	---
9	Line2-L	10	Line2-JD



LPC

Pin	Assignment	Pin	Assignment
1	CLK	2	L_AD1
3	RST#	4	L_AD0
5	FRAME#	6	VCC3
7	LAD3	8	GND
9	LAD2	10	---
11	SERIRQ	12	GND
13	5V5B	14	5V

USB 2.0 / 3.1 Gen 2 Headers (USB 5/6)

Pin	Assignment	Pin	Assignment
10	5V	11	USBP_C_5P
9	USBP_C_6P	12	USBP_C_5N
8	USBP_C_6N	13	GND
7	GND	14	USB3_TX6_DP
6	USB3_TX5_DP	15	USB3_TX6_DN
5	USB3_TX5_DN	16	GND
4	GND	17	USB3_RX6_DP
3	USB3_RX5_DP	18	USB3_RX6_DN
2	USB3_RX5_DN	19	SBV3
1	SBV3	20	---

USB 2.0 Headers (USB 9/10)

Pin	Assignment	Pin	Assignment
1	SBV	2	SBV
3	Data-	4	Data-
5	Data+	6	Data+
7	GND	8	GND
9	---	10	N.C.

Innoage HDD Power CN37

Pin	Function
1	+12V_SATA
2	GND
3	GND
4	5V_SATA

