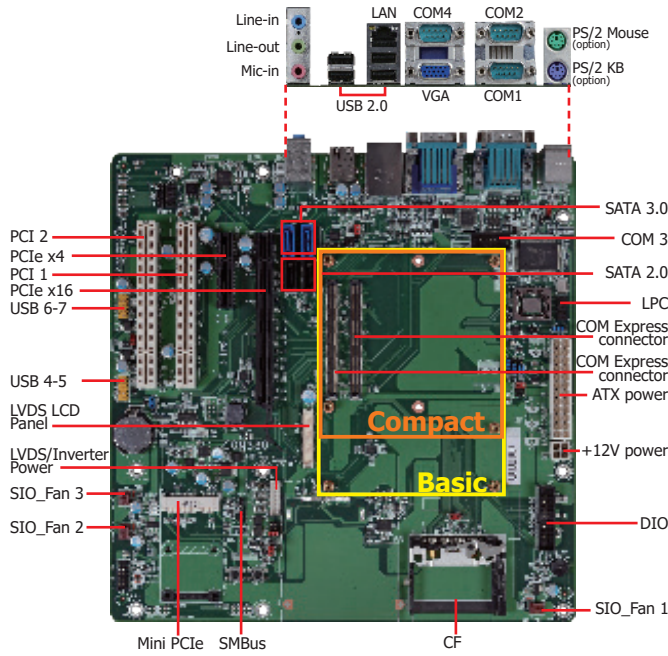


COM330-B



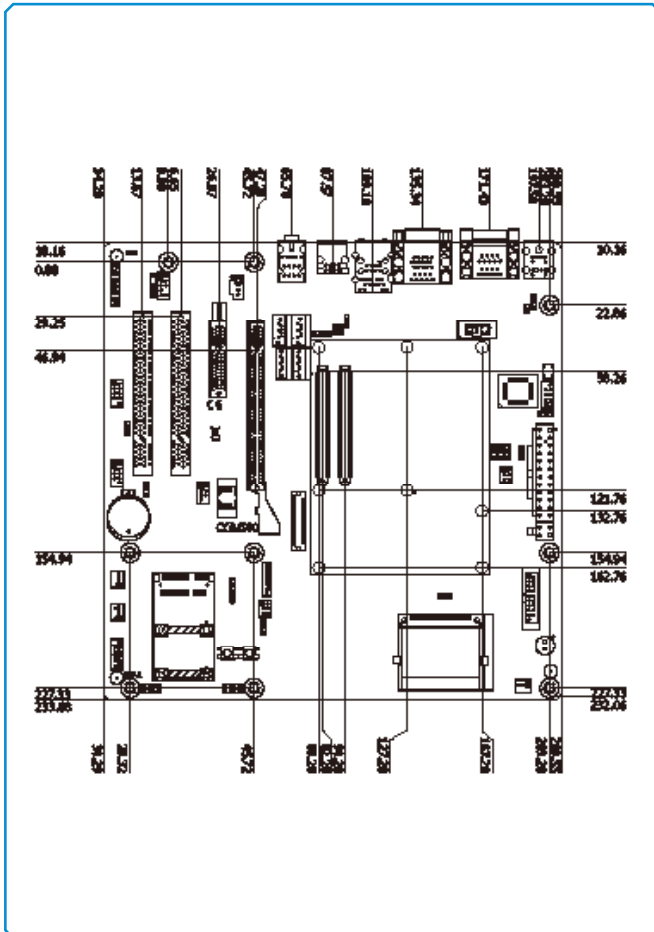
Features

EXPANSION	1 PCIe x16, 1 PCIe x4, 2 PCI 1 Mini PCIe (PCIe signal only)
DISPLAY OUTPUTS	1 VGA, 1 LVDS
LAN	1 LAN
COM	4 COM
USB	8 USB 2.0
STORAGE	4 SATA: 2 SATA 3.0, 2 SATA 2.0 1 CF
DIO	8-bit DIO
DIMENSIONS	244mm x 244mm (9.6" x 9.6")

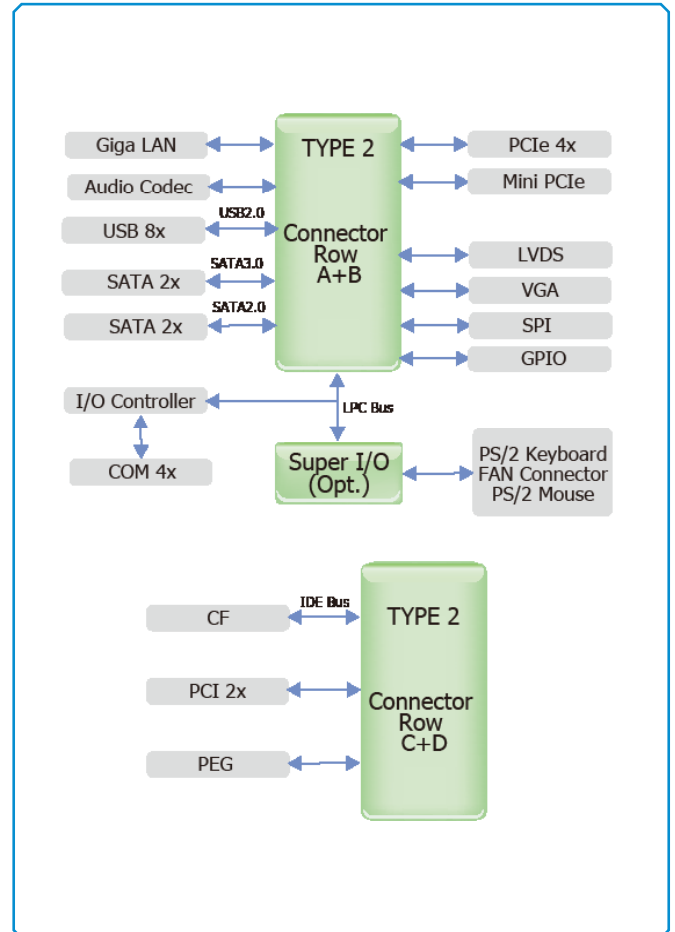
Supports Compact and Basic modules



Mechanical Drawing



Block Diagram



COM330-B

► Specifications * Optional and is not supported in standard model. Please contact your sales representative for more information.

ONBOARD AUDIO FEATURES

- Realtek ALC886 5.1-channel High Definition Audio
- Audio outputs: Mic-in/Center+Subwoofer, line-in/surround and line out
- S/PDIF audio interface

STORAGE

- 4 Serial ATA ports
 - 2 SATA 3.0 ports with data transfer rate up to 6Gb/s
 - 2 SATA 2.0 ports with data transfer rate up to 3Gb/s
- 1 CompactFlash socket

DIGITAL I/O

- 8-bit Digital I/O connector
 - 4-bit GPI (General Purpose Input)
 - 4-bit GPO (General Purpose Output)

REAR PANEL I/O PORTS

- 3 DB-9 RS232 serial ports
- 1 DB-15 VGA port
- 1 RJ45 LAN port
- 4 USB 2.0/1.1 ports
- Line-in/Surround, Line out, Mic-in/Center+Subwoofer jacks
- 1 mini-DIN-6 PS/2 mouse port*
- 1 mini-DIN-6 PS/2 keyboard port*

I/O CONNECTORS

- 2 connectors for 4 external USB 2.0/1.1 ports
- 1 connector for 1 external RS232 serial port
- 1 LVDS LCD panel connector
- 1 LCD/inverter power connector
- 1 8-bit Digital I/O connector
- 1 front audio connector for line-out and mic-in jacks
- 1 S/PDIF connector
- 4 Serial ATA ports
- 1 LPC connector
- 1 I²C connector
- 1 SMBus connector
- 1 24-pin ATX power connector
- 1 4-pin 12V power connector
- 1 chassis intrusion connector
- 1 front panel connector
- 3 fan connectors

EXPANSION SLOTS

- 1 PCIe x16 Gen 3 slot
- 1 PCIe x4 Gen 2 slot
- 1 Mini PCIe slot (PCIe 2.0) (PCIe signal only)
 - USB signal: optional
 - Supports half/full size Mini PCIe card
- 2 PCI slots (PCI 2.3)

SUPPORTED COM EXPRESS MODULES

- Basic
- Compact

DAMAGE FREE INTELLIGENCE

- Legacy Super I/O support*
 - Monitors 5V/1.5V/12V/3.3V
 - Monitors SIO_Fan 1/SIO_Fan 2/SIO_Fan 3

ROM INTERFACE

- 1 SPI interface
 - Supports up to 64Mbit
- 1 LPC/FWH interface

TEMPERATURE

- Operating: 0°C to 60°C
- Storage: -20°C to 85°C

HUMIDITY

- 10% to 90%

POWER OUTPUT

- 12V, 5VSB, VCC_RTC (ATX mode)
- 12V, 5V, VCC_RTC (AT mode)
- 12V, VCC_RTC (AT mode)

PCB

- Dimensions
 - microATX form factor
 - 244mm (9.6") x 244mm (9.6")
- Compliance
 - PICMG COM Express® R2.0, Type 2

CERTIFICATION

- CE
- FCC Class B
- RoHS

► Packing List

- | |
|-----------------------------------|
| • 1 COM330-B board |
| • 2 Serial ATA data cables |
| • 1 USB port cable (with bracket) |
| • 1 COM port cable (with bracket) |

► Optional Items

- | |
|--------------------------|
| • Serial ATA data cable |
| • COM port cable |
| • USB port cable |
| • I/O shield |
| • Serial ATA power cable |