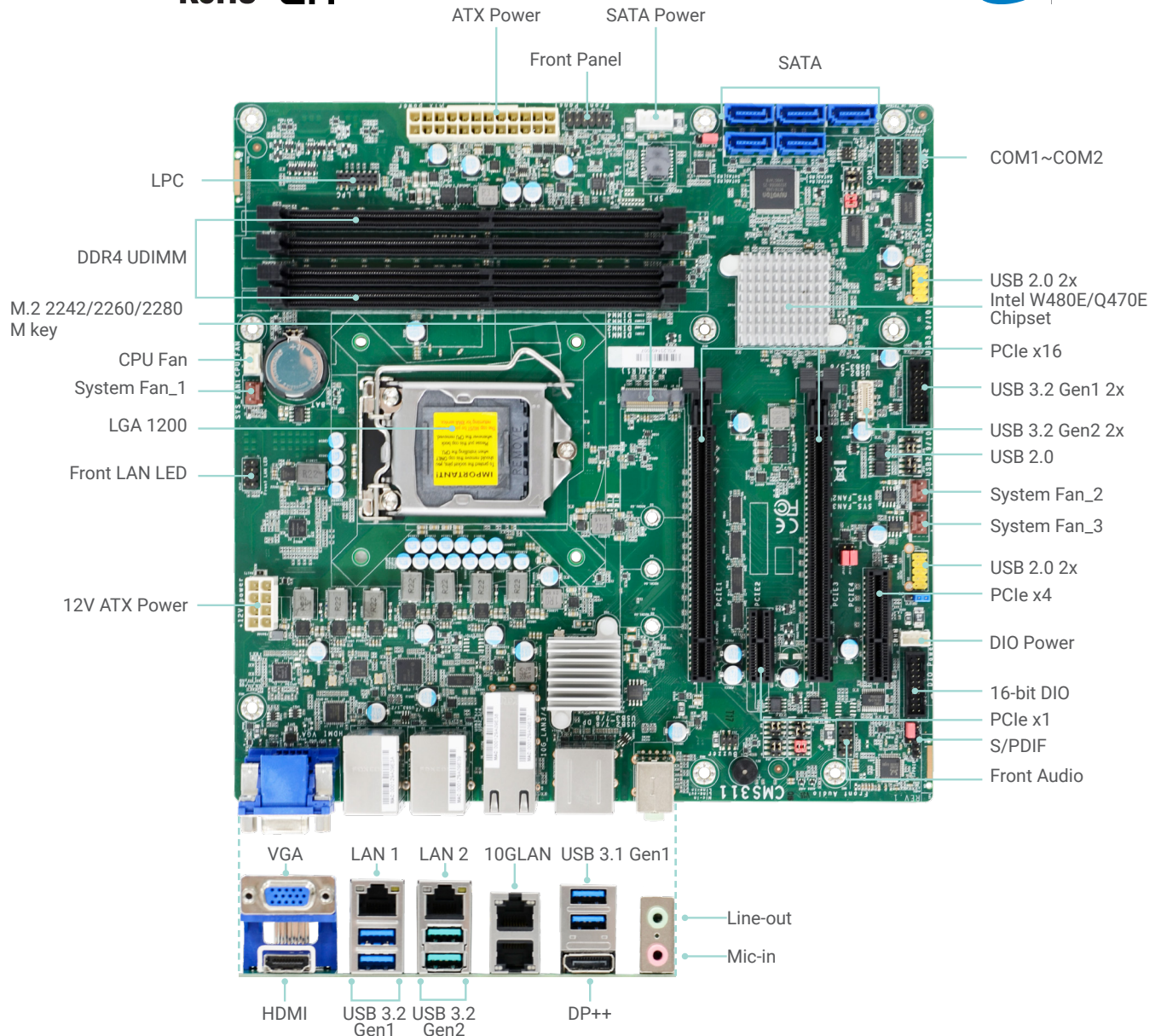


CMS311-W480E CMS311-Q470E

Desktop

10th Gen Intel® Core™
microATX



Top View

KEY FEATURES



DDR4

4 DDR4 UDIMM up to 128GB



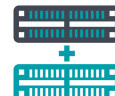
4K High Resolution

Supports 4K/ 2K resolution



Triple Displays

VGA, DP++, HDMI 1.4b



Multiple Expansion

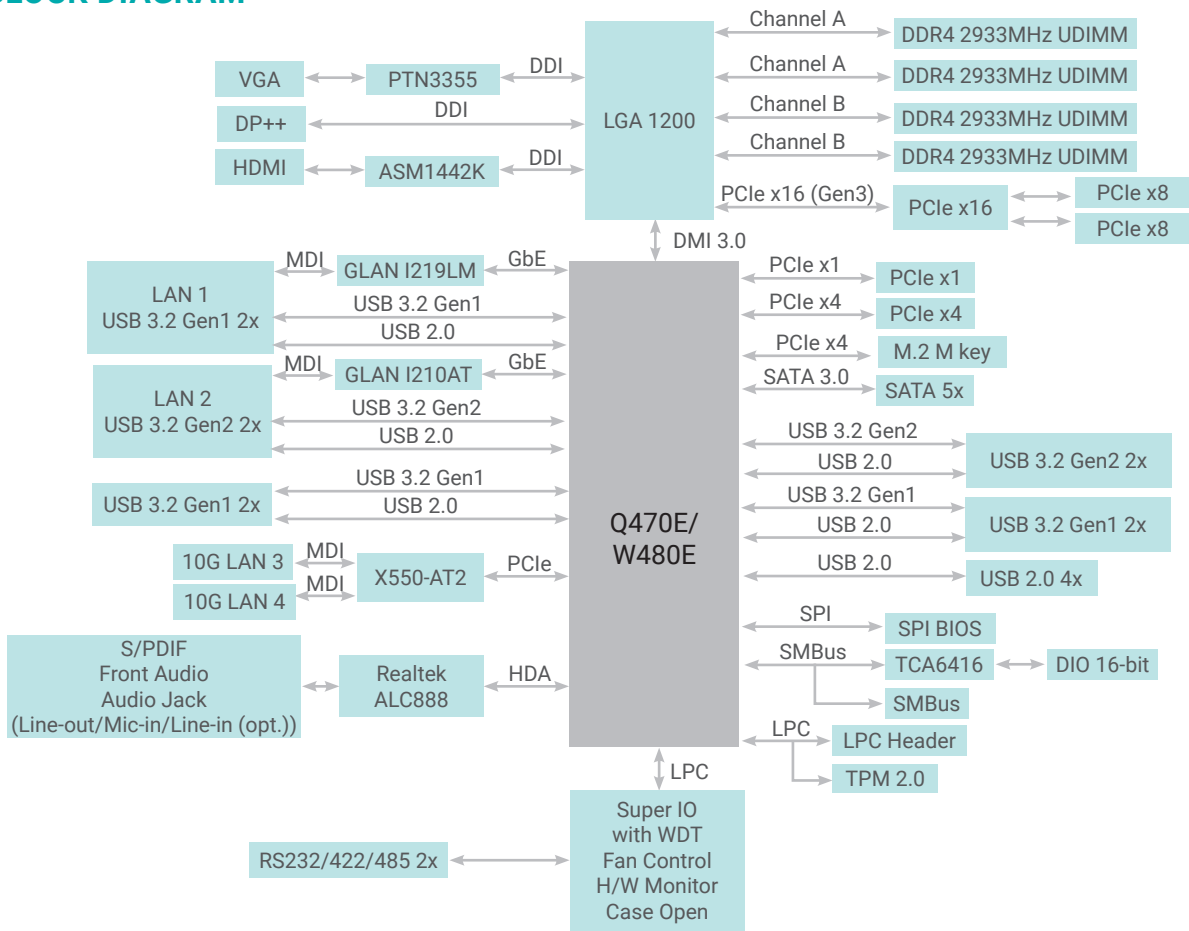
2 PCIe x16 (1 x16 or 2 x8 signal), 1 PCIe x4, 1 PCIe x1, 1 M.2 M key, 5 SATA 3.0



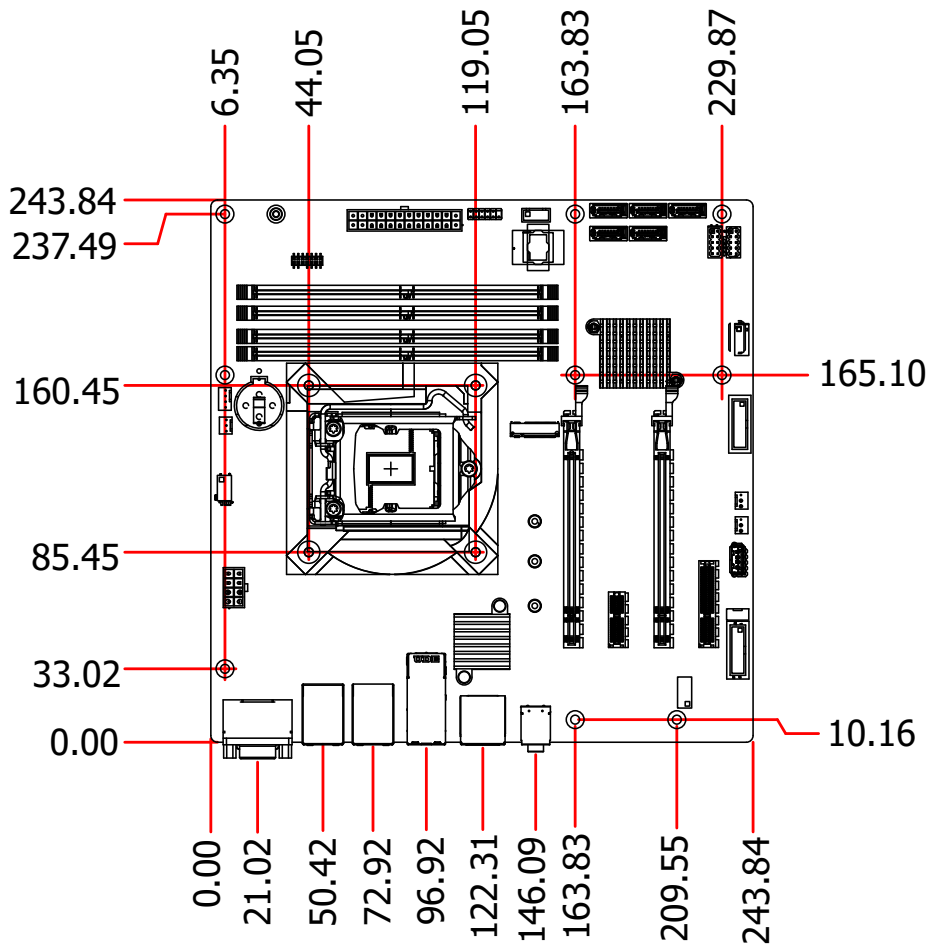
Rich I/O

up to 4 Intel GbE, 4 USB 3.2 Gen 2, 6 USB 3.2 Gen 1, 4 USB 2.0, 2 COM

BLOCK DIAGRAM



MECHANICAL DRAWING



SPECIFICATION

Model Name		CMS311-W480E	CMS311-Q470E
System	Processor	10th Generation Intel® LGA 1200 Socket Processors, TDP support up to 125W Intel® Xeon® W-1290E (10 Cores, 20M Cache, up to 4.8 GHz); 95W (ECC support on W480E SKU only) Intel® Xeon® W-1290TE (10 Cores, 20M Cache, up to 4.5 GHz); 35W (ECC support on W480E SKU only) Intel® Xeon® W-1270E (8 Cores, 16M Cache, up to 4.8 GHz); 80W (ECC support on W480E SKU only) Intel® Xeon® W-1270TE (8 Cores, 16M Cache, up to 4.4 GHz); 35W (ECC support on W480E SKU only) Intel® Xeon® W-1250E (6 Cores, 12M Cache, up to 4.7 GHz); 80W (ECC support on W480E SKU only) Intel® Xeon® W-1250TE (6 Cores, 12M Cache, up to 3.8 GHz); 35W (ECC support on W480E SKU only) Intel® Core™ i9-10900E (10 Cores, 20M Cache, up to 4.7 GHz); 65W Intel® Core™ i9-10900TE (10 Cores, 20M Cache, up to 4.5 GHz); 35W Intel® Core™ i7-10700E (8 Cores, 16M Cache, up to 4.5 GHz); 65W Intel® Core™ i7-10700TE (8 Cores, 16M Cache, up to 4.4 GHz); 35W Intel® Core™ i5-10500E (6 Cores, 12M Cache, up to 4.2 GHz); 65W Intel® Core™ i5-10500TE (6 Cores, 12M Cache, up to 3.7 GHz); 35W Intel® Core™ i3-10100E (4 Cores, 6M Cache, 3.8 GHz); 65W (ECC support on W480E SKU only) Intel® Core™ i3-10100TE (4 Cores, 6M Cache, to 3.6 GHz); 35W (ECC support on W480E SKU only) Intel® Pentium® G6400E (2 Cores, 4M Cache, 3.8 GHz); 58W (Not support on W480E SKU) Intel® Celeron® G5900E (2 Cores, 2M Cache, 3.2 GHz); 58W (Not support on W480E SKU) Intel® Celeron® G5900TE (2 Cores, 2M Cache, 3.0 GHz); 35W (Not support on W480E SKU)	
	Chipset	Intel® W480E Chipset	Intel® Q470E Chipset
	Memory	Four 288-pin UDIMM up to 128GB (ECC/Non-ECC) Dual Channel DDR4 2400/2666/2933 MHz	
	BIOS	AMI SPI 256Mbit	
	Graphics	Controller	Intel® HD Gen 9 Graphics
Graphics	Feature	OpenGL 4.5, DirectX 12, OpenCL 2.1 HW Decode: AVC/H.264, MPEG2, VC1/WMV9, JPEG/MJPEG, HEVC/H265, VP8, VP9 HW Encode: MPEG2, AVC/H264, JPEG, HEVC/H265, VP8, VP9	
	Display	1 x VGA 1 x DP++ 1 x HDMI 1.4b VGA: resolution up to 1920x1200 @ 60Hz DP++: resolution up to 4096x2160 @ 60Hz HDMI: resolution up to 4096x2160 @ 24Hz	
	Triple Displays	VGA + DP++ + HDMI	
	Expansion	Interface	2 x PCIe x16 (Gen 3) (1 x16 signals or 2 x8 signals) 1 x PCIe x4 (Gen 3) 1 x PCIe x1 (Gen3) 1 x M.2 2242/2260/2280 M key (PCIe x4 NVMe with intel RST/Intel Optane Memory support)
Audio	Audio Codec	Realtek ALC888	
Ethernet	Controller	1 x Intel® i219LM PCIe (10/100/1000Mbps) (only Xeon, Core i9/i7/i5 support iAMT) 1 x Intel® i210AT PCIe (10/100/1000Mbps) 1 x Intel® x550-AT2 (2 x 10GbE)	
Rear I/O	Ethernet	2 x GbE (RJ-45) 2 x 10GbE (RJ-45)	
	USB	2 x USB 3.2 Gen 2 4 x USB 3.2 Gen 1	
	Display	1 x VGA 1 x DP++ 1 x HDMI 1.4b	
	Audio	1 x Line-out 1 x Mic-in 1 x Line-in (opt. by request, MOQ required)	
Internal I/O	Serial	2 x RS-232/422/485 (RS-232 w/ power) (2.54mm pitch)	
	USB	2 x USB 3.2 Gen 2 2 x USB 3.2 Gen 1 4 x USB 2.0 (2.54mm pitch) (colay vertical Type A, MOQ required)	
	Audio	1 x Front Audio Header 1 x S/PDIF	
	SATA	5 x SATA 3.0 (up to 6Gb/s) RAID 0/1/5/10	
	DIO	1 x 16-bit DIO	
	LPC	1 x LPC	
	SMBus	1 x SMBus	
Watchdog Timer	Output & Interval	System Reset, Programmable via Software from 1 to 255 Seconds	
Security	TPM	Infineon TPM2.0 (opt., MOQ required)	

SPECIFICATION

Model Name		CMS311-W480E	CMS311-Q470E
Power	Type	ATX	ATX
	Connector	8-pin ATX 12V power 24-pin ATX power	8-pin ATX 12V power 24-pin ATX power
	Consumption	Typical: i9-10900K: 3.3V @ 0.64A (2.11W); 5V @ 1.28A (6.4W); 12V @ 1.19A (14.28W) Max.: i9-10900K 3.3V @ 0.9A (2.97W); 5V @ 3.11A (15.55W); 12V @ 27.2A (326.4W)	Typical: i9-10900K: 3.3V @ 0.64A (2.11W); 5V @ 1.28A (6.4W); 12V @ 1.19A (14.28W) Max.: i9-10900K 3.3V @ 0.9A (2.97W); 5V @ 3.11A (15.55W); 12V @ 27.2A (326.4W)
	RTC Battery	CR2032 Coin Cell	CR2032 Coin Cell
OS Support	Microsoft	Windows 10 IoT Enterprise 64-bit	Windows 10 IoT Enterprise 64-bit
	Linux	Linux	Linux
Environment	Temperature	Operating: -5 to 65°C Storage: -30 to 60°C with RTC Battery; -40 to 85°C without RTC Battery	Operating: -5 to 65°C Storage: -30 to 60°C with RTC Battery; -40 to 85°C without RTC Battery
	Humidity	Operating: 5 to 95% RH Storage: 5 to 95% RH	Operating: 5 to 95% RH Storage: 5 to 95% RH
	MTBF	502,666 hrs @ 25°C; 281,214 hrs @ 45°C; 175,117 hrs @ 60°C; 127,127 hrs @ 70°C Calculation Model: Telcordia Issue 4 Environment: GB, GC - Ground Benign, Controlled	502,666 hrs @ 25°C; 281,214 hrs @ 45°C; 175,117 hrs @ 60°C; 127,127 hrs @ 70°C Calculation Model: Telcordia Issue 4 Environment: GB, GC - Ground Benign, Controlled
Mechanism	Dimensions	microATX Form Factor 244mm (9.6") x 244mm (9.6")	microATX Form Factor 244mm (9.6") x 244mm (9.6")
	Height	PCB: 1.6mm Top Side: 38.5mm Bottom Side: 4.4mm	PCB: 1.6mm Top Side: 38.5mm Bottom Side: 4.4mm
Standards and Certifications	Certifications	CE, FCC Class B, UKCA, RoHS	CE, FCC Class B, UKCA, RoHS

ORDERING INFORMATION

Model Name	P/N	Memory	1GbE	10GbE	RS-232/422/485	USB 3.1 Gen2	USB 3.1 Gen1	USB 2.0	TPM	Power	Temp.
CMS311-W480ENRM	770-CMS3111-000G	4 UDIMM	2	2	2	4	6	4	-	24-pin ATX/ 8-pin ATX 12V	-5 to 65°C
CMS311-Q470ENRM	770-CMS3111-100G			2					-		
CMS311-W480ENRM	770-CMS3111-200G			0					-		
CMS311-Q470ENRM	770-CMS3111-300G			0					-		
CMS311-W480ENRM	770-CMS3111-400G			2					w/ TPM		
CMS311-Q470ENRM	770-CMS3111-500G			2					w/ TPM		

PACKING LIST

· 1 CMS311-W480E/Q470E motherboard	
· 1 COM port cable (Length: 300mm, 2 x COM ports)	A81-015026-023G
· 1 Serial ATA data cable (Length: 500mm)	332-553001-005G
· 1 I/O shield (4 LAN)	A49-CMS311-000G
· 1 I/O shield (2 LAN)	A49-CMS311-100G

OPTIONAL ITEMS

· USB 2.0 port cable (Length: 350/398mm)	A81-001066-016G
· USB 3.2 Gen2 port cable (Length: 350mm)	A81-001075-017G
· COM port cable (Length: 300mm, 2 x COM ports)	A81-015026-023G
· Serial ATA data cable (Length: 500mm, W/LOCK)	332-553001-005G
· Thermal solution (For 35W, Height: 37.3mm)	A71-101107-000G
· Thermal solution (For 65W, Height: 74.47mm)	A71-101158-000G
· Thermal solution (For 95W, Height: 77.2mm)	761-103001-000G
· DP to HDMI Dongle	612-D2H13M-000G
· EXT-RS232 (4 ports RS-232 LPC module)	770-EXTRS1-000G
· EXT-RS485 (4 ports RS-485 LPC module)	770-EXTRS1-100G
· M.2-COM4 (M.2 serial port module)	770-M2COM1-000G
· M.2-2LAN (M.2 LAN port module)	770-M22LN1-000G
· M.2-2PSE (M.2 PSE module)	770-M22PS1-000G