

KEY FEATURES



ARM-Based System

Support Android 9.0 and Linux



Storage Choice

16GB/64GB eMMC and Micro SD card slot



Rich I/O Connectivity

1 GbE, 4 COM, 1 CAN Bus, 2 USB 3.0, 1 Micro USB (OTG)



Wide-Voltage

9~36V vehicle power input with ACC/IGN function

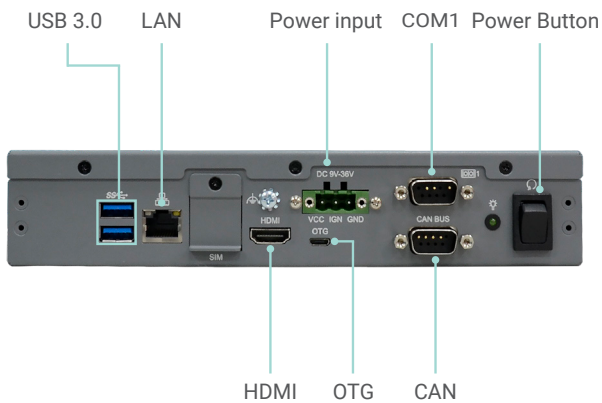


Wide-Temperature

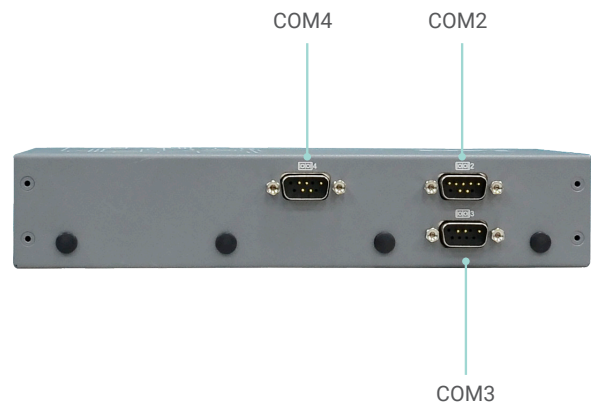
-20°C~65°C operation without active fan



PANEL



Front View



Rear View

SPECIFICATION

SYSTEM	Processor	NXP i.MX8M Quad, Cortex-A53 1.3GHz (by model) NXP i.MX8M Dual, Cortex-A53 1.3GHz (by model)
	Memory	On board memory 2GB/4GB (by model) Single channel LPDDR4 up to 3200 MHz
GRAPHICS	Display	1 x HDMI resolution up to 1920x1080 @ 60 Hz
STORAGE	External	Micro SD card slot
	Internal	eMMC 5.1 16GB on board, support up to 64GB (optional)
LED	Indicators	1 x Status LED
SENSOR	Sensor	6 axis IMU (3 Accelerometer + 3 Gyroscope)
FRONT I/O	Ethernet	1 x Giga Lan, RJ-45
	Serial	1 x RS-232/422/485 (COM1)
	USB	2 x USB 3.0, type A 1 x OTG, micro USB
	Display	1 x HDMI
	Audio	with Amplifier to support 2W speaker (optional) 1 x Line-out & 1 x MIC-in (internal header)
	Buttons	1 x Power reset button
	CANbus	1 x CANbus, DB-9
REAR I/O	Antenna	4 x Antenna holes for LTE 4G, WiFi and GPS
	Serial	1 x RS-232(TX,RX,RTS,CTS) (COM2) 2 x RS-232(TX,RX) (COM3/COM4)
POWER	Type	Wide range 9~36V with ACC/IGN function
	Connector	3-pole terminal block
OS SUPPORT	Linux	Yocto Linux 2.5
	Android	Android 9.0 (option)
MECHANISM	Construction	Sheet Metal
	Color	Black
	Mounting	DIN-Rail mount Wall mount
	Dimensions (W x H x D)	200 x 120 x 45mm
	Weight	1.9kg
ENVIRONMENT	Operating Temperature	-20 to 65°C
	Storage Temperature	-40 to 85°C
	Relative Humidity	10 to 90% RH (non-condensing)
STANDARDS AND CERTIFICATIONS	Shock	Operating/non-operating: MIL-STD-810G Method 516.6, Procedure 1
	Vibration	Operating/non-operating: MIL-STD-810G Method 514.6, Category 4
	Certification	CE, FCC, e-Mark

ORDERING INFORMATION

Model Name	Part Number	Description
VC900-M8M	750-VC900-000G	VC900-M8M: M8MT51,Fan-less BOX PC;NXP i.MX 8M Dual Cortex-A53;2GB DDR4;eMMC 16GB; F/G SYSTEM RoHS
VC900-M8M	750-VC900-100G	VC900-M8M: M8MT51,Fan-less BOX PC;NXP i.MX 8M Quad Cortex-A53;4GB DDR4;eMMC 16GB; F/G SYSTEM RoHS

OPTIONAL ITEMS

Optional Items	Part Number	Description
LTE 4G	761-0EM06E-000G	4G Module Kit, Quectel LTE-A Cat 6 M.2 Module, EM06-E
WiFi + BT	612-RTL882-000G	Wi-Fi+BT, ENLI M.2 2230 Combo Module Card, RTL8822CE

PACKING LIST

1 x VC900-M8M system unit
1 x 3-pole terminal block cable for power input
1 x Wall mount bracket/screw pack
1 x Quick installation guide