



WM342-KD331

C236
Q170

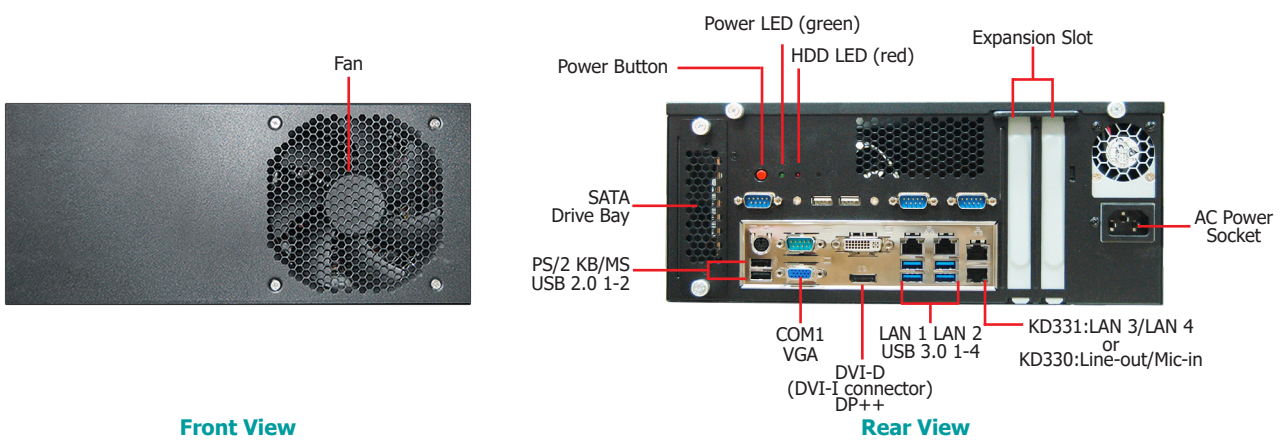


► Features

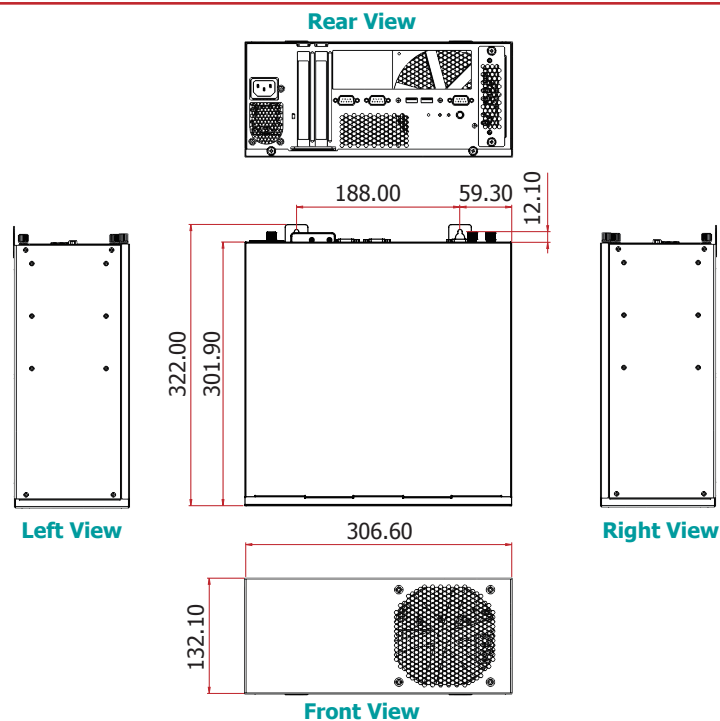
- 6th/7th Gen Intel Core Desktop/Wallmount Box IPC
- Dual storage support
- One side I/O and 2 expansion slots
- Supports 1 PCIe x16, 1 PCIe x4
- 12cm system fan



► Panel



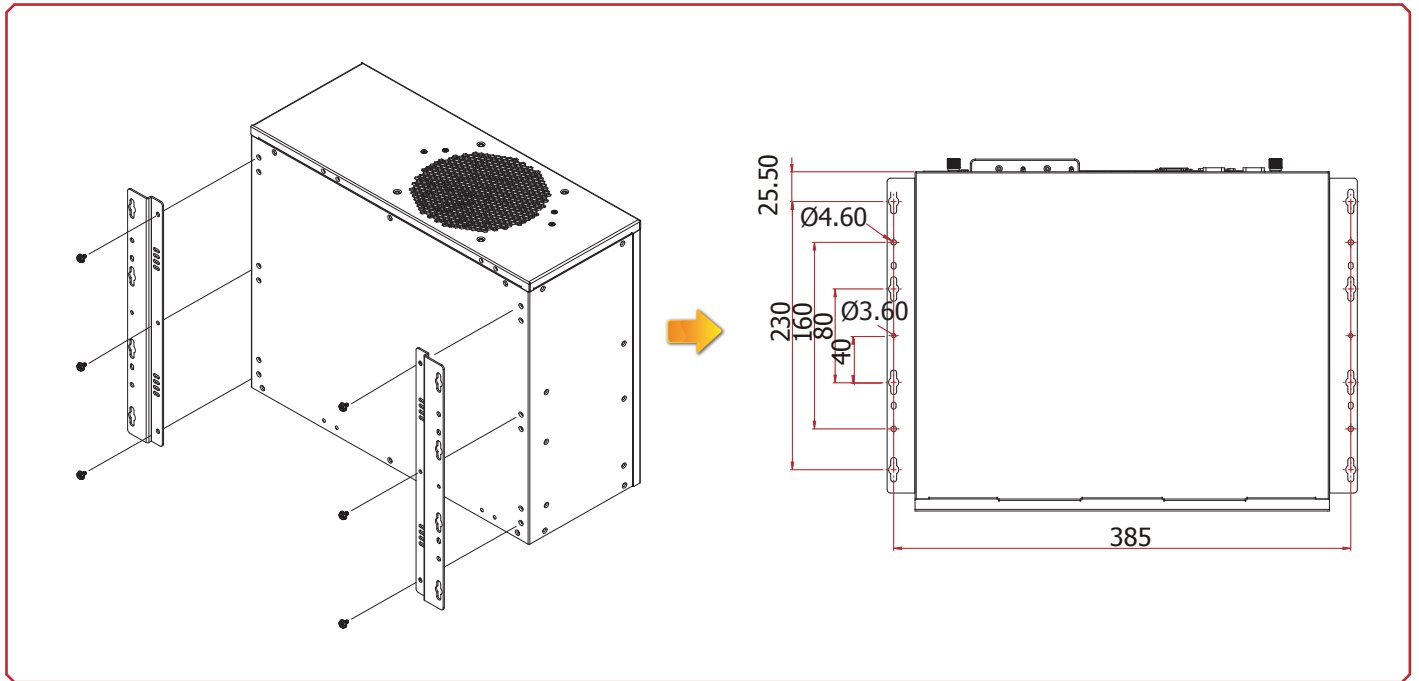
► Dimensions



Specifications

Model Name	WM342-KS331-C236		WM342-KS331-Q170	
SYSTEM	Processor	6th/7th Generation Intel® Core™ Processors, LGA 1151 Socket Intel® Xeon® E3-1275 v6, Quad Core, 8M Cache, 3.8GHz (4.2GHz), 80W (KD331-C236 Only, ECC Supported) Intel® Core™ i7-7700K Processor, Quad Core, 8M Cache, 4.2GHz (4.5GHz), 91W Intel® Core™ i7-7700 Processor, Quad Core, 8M Cache, 3.6GHz (4.2GHz), 65W Intel® Core™ i5-7500 Processor, Quad Core, 6M Cache, 3.4GHz (3.8GHz), 65W Intel® Core™ i3-7101E Processor, Dual Core, 3M Cache, 3.9GHz, 65W		
	Chipset	Intel® C236 Chipset	Intel® Q170 Chipset	
	Memory	Four 288-pin ECC DIMM up to 64GB Dual Channel DDR4 2133/2400 MHz		Four 288-pin DIMM up to 64GB Dual Channel DDR4 2133/2400 MHz
	BIOS	Insyde SPI 128Mbit		Insyde SPI 128Mbit
	GRAPHICS	Controller	Intel® HD Gen 9 Graphics	
	Feature	OpenGL 5.0, DirectX 12, OpenCL 2.1 HW Decode: AVC/H.264, MPEG2, VC1/WMV9, JPEG/ MJPEG, HEVC/H265, VP8, VP9 HW Encode: MPEG2, AVC/H264, JPEG, HEVC/H265, VP8, VP9		OpenGL 5.0, DirectX 12, OpenCL 2.1 HW Decode: AVC/H.264, MPEG2, VC1/WMV9, JPEG/ MJPEG, HEVC/H265, VP8, VP9 HW Encode: MPEG2, AVC/H264, JPEG, HEVC/H265, VP8, VP9
	Display	1 x VGA 1 x DVI-I (DVI-D signal) 1 x DP++ VGA: resolution up to 1920x1200 @ 60Hz DVI-D: resolution up to 1920x1200 @ 60Hz DP++: resolution up to 4096x2304 @ 60Hz		1 x VGA 1 x DVI-I (DVI-D signal) 1 x DP++ VGA: resolution up to 1920x1200 @ 60Hz DVI-D: resolution up to 1920x1200 @ 60Hz DP++: resolution up to 4096x2304 @ 60Hz
	Triple Displays	VGA + DVI-I (DVI-D signal) + DP++		VGA + DVI-I (DVI-D signal) + DP++
STORAGE	External	2 x 2.5" SATA 3.0 Drive Bays (1 x 2.5" SATA drive bay, by default)		2 x 2.5" SATA 3.0 Drive Bays (1 x 2.5" SATA drive bay, by default)
EXPANSION	Interface	1 x PCIe x16 (Gen 3) 1 x PCIe x4 (Gen 3)		1 x PCIe x16 (Gen 3) 1 x PCIe x4 (Gen 3)
AUDIO	Audio Codec	Realtek ALC888S-VD2-GR		Realtek ALC888S-VD2-GR
ETHERNET	Controller	3 x Intel® I211AT PCIe (10/100/1000Mbps) 1 x Intel® I219LM PCIe with iAMT11.0 (10/100/1000Mbps) (only Core i7/i5 supports iAMT)		3 x Intel® I211AT PCIe (10/100/1000Mbps) 1 x Intel® I219LM PCIe with iAMT11.0 (10/100/1000Mbps) (only Core i7/i5 supports iAMT)
LED	Indicators	1 x Power LED 1 x Storage LED		1 x Power LED 1 x Storage LED
REAR I/O	Ethernet	4 x GbE (RJ-45)		4 x GbE (RJ-45)
	Serial	1 x RS-232/422/485 (RS-232 w/ power) (DB-9)		1 x RS-232/422/485 (RS-232 w/ power) (DB-9)
	USB	4 x USB 3.0 2 x USB 2.0		4 x USB 3.0 2 x USB 2.0
	PS/2	1 x PS/2 (mini-DIN-6)		1 x PS/2 (mini-DIN-6)
	Display	1 x VGA 1 x DVI-I (DVI-D signal) 1 x DP++		1 x VGA 1 x DVI-I (DVI-D signal) 1 x DP++
	Buttons	1 x Power Button, 1 x Reset Button		1 x Power Button, 1 x Reset Button
COOLING	Fan	1 x System Fan		1 x System Fan
WATCHDOG TIMER	Output & Interval	System Reset, Programmable via Software from 1 to 255 Seconds		System Reset, Programmable via Software from 1 to 255 Seconds
SECURITY	TPM	Infineon TPM2.0 (optional)		Infineon TPM2.0 (optional)
POWER	Supply	Flex ATX 150W/250W/350W/400W/500W (250W Default)		Flex ATX 150W/250W/350W/400W/500W (250W Default)
OS SUPPORT		Windows 10 IoT		Windows 10 IoT
MECHANISM	Construction	Sheet Metal		Sheet Metal
	Mounting	Wall Mount		Wall Mount
	Dimensions (W x H x D)	306.6mm x 132.1mm x 301.9mm		306.6mm x 132.1mm x 301.9mm
	Weight	6.25kg		6.25kg
ENVIRONMENT	Operating Temperature	0 to 45°C		0 to 45°C
	Storage Temperature	0 to 60°C		0 to 60°C
	Relative Humidity	5 to 95% RH (non-condensing)		5 to 95% RH (non-condensing)
STANDARDS AND CERTIFICATIONS	Shock	Operating: 3G Non-operating: 5G		Operating: 3G Non-operating: 5G
	Vibration	Operating: Random 5~500Hz 0.5G Non-operating: Sine 10~500Hz 1.5G		Operating: Random 5~500Hz 0.5G Non-operating: Sine 10~500Hz 1.5G
	Package Drop	ISTA Project 1A		ISTA Project 1A
	Certification	CE, FCC Class A, RoHS		CE, FCC Class A, RoHS

► Wall Mounting



► Ordering Information

Model Name	Part Number	Description
WM342-KD331	750-WM3421-000G	uATX System, Black, KD331-C236, DP, DVI, VGA, 4 LAN, 2 expansion, Flex ATX 250W F/G SYSTEM RoHS
WM342-KD331	750-WM3421-100G	uATX System, Black, KD331-Q170, DP, DVI, VGA, 4 LAN, 2 expansion, Flex ATX 250W F/G SYSTEM RoHS

► Optional Items

Optional Items	Part Number	Description
CPU	Available upon request	CPU, LGA1151, Long-Term Support, RoHS
Memory	Available upon request	DIMM, DDR4 Module, 16GB, RoHS
	Available upon request	DIMM, DDR4 Module, 8GB, RoHS
	Available upon request	DIMM, DDR4 Module, 4GB, RoHS
2.5" HDD/SSD Support	531-510360-000G	One F3 x5 Copper Standoff, RoHS (note: one bay needs 4 pcs of standoff)
HDD	785-H351T0B	3.5" SATA HDD, 1TB, RoHS
	785-H35500G	3.5" SATA HDD, 500GB, RoHS
	785-H25500G	2.5" SATA HDD, 500GB, RoHS
	785-H25320G	2.5" SATA HDD, 320GB, RoHS
	785-S251TBG	2.5" SATA SSD, 1TB MLC, RoHS
	785-S25512G	2.5" SATA SSD, 512GB MLC, RoHS
	785-S25256G	2.5" SATA SSD, 256GB MLC, RoHS
	785-S25128G	2.5" SATA SSD, 128GB MLC, RoHS
	785-S25064G	2.5" SATA SSD, 64GB MLC, RoHS
Power Cord	785-PWRD	Power Cord, Standards (USA/EUR/CH), 1.8m, RoHS
Wall Mount	761-WM3410-000G	WM343/WM341 Wall Mount Kit, RoHS

► Packing List

• 1 WM342-KD331 System Unit
• 1 CPU cooler
• 1 SATA Data Cable (Length: 650mm)
• 4 HDD Screws
• 1 Quick Installation Guide
• 1 PSU Flex ATX 150W/250W/350W/400W/500W (250W Default)
• 1 System Fan