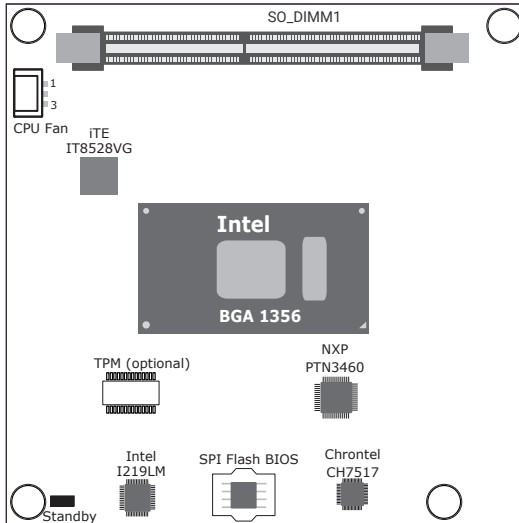
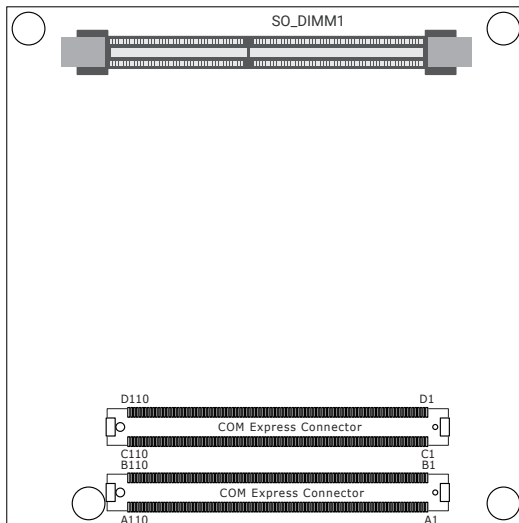


Board Layout and COM Express Pin Assignments



Top View



Bottom View

Row A		Row B		Row A		Row B	
A1	GND (FIXED)	B1	GND (FIXED)	A56	PCIE_TX4-	B56	PCIE_RX4-
A2	GBE0_MDI3-	B2	GBE0_ACT#	A57	GND	B57	GPO2
A3	GBE0_MDI3+	B3	LPC_FRAME#	A58	PCIE_TX3+	B58	PCIE_RX3+
A4	GBE0_LINK100#	B4	LPC_AD0	A59	PCIE_TX3-	B59	PCIE_RX3-
A5	GBE0_LINK1000#	B5	LPC_AD1	A60	GND (FIXED)	B60	GND (FIXED)
A6	GBE0_MDI2-	B6	LPC_AD2	A61	PCIE_TX2+	B61	PCIE_RX2+
A7	GBE0_MDI2+	B7	LPC_AD3	A62	PCIE_TX2-	B62	PCIE_RX2-
A8	GBE0_LINK#	B8	LPC_DRQ0#	A63	GPI1	B63	GPO3
A9	GBE0_MDI1-	B9	LPC_DRQ1#	A64	PCIE_TX1+	B64	PCIE_RX1+
A10	GBE0_MDI1+	B10	LPC_CLK	A65	PCIE_TX1-	B65	PCIE_RX1-
A11	GND (FIXED)	B11	GND (FIXED)	A66	GND	B66	WAKE0#
A12	GBE0_MDI0-	B12	PWRBTN#	A67	GPI2	B67	WAKE1#
A13	GBE0_MDI0+	B13	SMB_CK	A68	PCIE_TX0+	B68	PCIE_RX0+
A14	GBE0_CTREF	B14	SMB_DAT	A69	PCIE_TX0-	B69	PCIE_RX0-
A15	SUS_S3#	B15	SMB_ALERT#	A70	GND (FIXED)	B70	GND (FIXED)
A16	SATA0_TX+	B16	SATA1_TX+	A71	LVDS_A0+	B71	LVDS_B0+
A17	SATA0_TX-	B17	SATA1_TX-	A72	LVDS_A0-	B72	LVDS_B0-
A18	SUS_S4#	B18	SUS_STAT#	A73	LVDS_A1+	B73	LVDS_B1+
A19	SATA0_RX+	B19	SATA1_RX+	A74	LVDS_A1-	B74	LVDS_B1-
A20	SATA0_RX-	B20	SATA1_RX-	A75	LVDS_A2+	B75	LVDS_B2+
A21	GND (FIXED)	B21	GND (FIXED)	A76	LVDS_A2-	B76	LVDS_B2-
A22	SATA2_TX+	B22	NA	A77	LVDS_VDD_EN	B77	LVDS_B3+
A23	SATA2_TX-	B23	NA	A78	LVDS_A3+	B78	LVDS_B3-
A24	SUS_S5#	B24	PWR_OK	A79	LVDS_A3-	B79	LVDS_BKLT_EN
A25	SATA2_RX+	B25	NA	A80	GND (FIXED)	B80	GND (FIXED)
A26	SATA2_RX-	B26	NA	A81	LVDS_A_CK+	B81	LVDS_B_CK+
A27	BATLOW#	B27	WDT	A82	LVDS_A_CK-	B82	LVDS_B_CK-
A28	(S)ATA_ACT#	B28	NA	A83	LVDS_I2C_CK	B83	LVDS_BKLT_CTRL
A29	AC/HDA_SYNC	B29	AC/HDA_SDIN1	A84	LVDS_I2C_DAT	B84	VCC_5V_SBY
A30	AC/HDA_RST#	B30	AC/HDA_SDIN0	A85	GPI3	B85	VCC_5V_SBY
A31	GND (FIXED)	B31	GND (FIXED)	A86	RSVD	B86	VCC_5V_SBY
A32	AC/HDA_BITCLK	B32	SPKR	A87	RSVD	B87	VCC_5V_SBY
A33	AC/HDA_SDOUT	B33	I2C_CK	A88	PCIE0_CLK_REF+	B88	BIOS_DIS1#
A34	BIOS_DIS0#	B34	I2C_DAT	A89	PCIE0_CLK_REF-	B89	VGA_RED
A35	THRMTTRIP#	B35	THRMM#	A90	GND (FIXED)	B90	GND (FIXED)
A36	USB6-	B36	USB7-	A91	SPL_POWER	B91	VGA_GRN
A37	USB6+	B37	USB7+	A92	SPL_MISO	B92	VGA_BLU
A38	USB_6_7_OC#	B38	USB_4_5_OC#	A93	GPO0	B93	VGA_HSYNC
A39	USB4-	B39	USB5-	A94	SPL_CLK	B94	VGA_VSYNC
A40	USB4+	B40	USB5+	A95	SPL_MOSI	B95	VGA_I2C_CK
A41	GND (FIXED)	B41	GND (FIXED)	A96	NA	B96	VGA_I2C_DAT
A42	USB2-	B42	USB3-	A97	TYPE10#	B97	SPL_CS#
A43	USB2+	B43	USB3+	A98	SER0_TX	B98	RSVD
A44	USB_2_3_OC#	B44	USB_0_1_OC#	A99	SER0_RX	B99	RSVD
A45	USB0-	B45	USB1-	A100	GND (FIXED)	B100	GND (FIXED)
A46	USB0+	B46	USB1+	A101	SER1_TX	B101	FAN_PWMOUT
A47	VCC_RTC	B47	EXCD1_PERST#	A102	SER1_RX	B102	FAN_TACHIN
A48	EXCD0_PERST#	B48	EXCD1_CPPE#	A103	LID#	B103	SLEEP#
A49	EXCD0_CPPE#	B49	SYS_RESET#	A104	VCC_12V	B104	VCC_12V
A50	LPC_SERIRQ	B50	CB_RESET#	A105	VCC_12V	B105	VCC_12V
A51	GND (FIXED)	B51	GND (FIXED)	A106	VCC_12V	B106	VCC_12V
A52	PCIE_TX5+	B52	PCIE_RX5+	A107	VCC_12V	B107	VCC_12V
A53	PCIE_TX5-	B53	PCIE_RX5-	A108	VCC_12V	B108	VCC_12V
A54	GPI0	B54	GPO1	A109	VCC_12V	B109	VCC_12V
A55	PCIE_TX4+	B55	PCIE_RX4+	A110	GND (FIXED)	B110	GND (FIXED)

Row C		Row D		Row C		Row D	
C1	GND (FIXED)	D1	GND (FIXED)	C56	NA	D56	NA
C2	GND	D2	GND	C57	TYPE1#	D57	TYPE2#
C3	USB_SSRX0-	D3	USB_SSTX0-	C58	NA	D58	NA
C4	USB_SSRX0+	D4	USB_SSTX0+	C59	NA	D59	NA
C5	GND	D5	GND	C60	GND (FIXED)	D60	GND (FIXED)
C6	USB_SSRX1-	D6	USB_SSTX1-	C61	NA	D61	NA
C7	USB_SSRX1+	D7	USB_SSTX1+	C62	NA	D62	NA
C8	GND	D8	GND	C63	RSVD	D63	RSVD
C9	USB_SSRX2-	D9	USB_SSTX2-	C64	RSVD	D64	RSVD
C10	USB_SSRX2+	D10	USB_SSTX2+	C65	NA	D65	NA
C11	GND (FIXED)	D11	GND (FIXED)	C66	NA	D66	NA
C12	USB_SSRX3-	D12	USB_SSTX3-	C67	RSVD	D67	GND
C13	USB_SSRX3+	D13	USB_SSTX3+	C68	NA	D68	NA
C14	GND	D14	GND	C69	NA	D69	NA
C15	NA	D15	DDI1_CTRLCLK_AUX+	C70	GND (FIXED)	D70	GND (FIXED)
C16	NA	D16	DDI1_CTRLDATA_AUX-	C71	NA	D71	NA
C17	RSVD	D17	RSVD	C72	NA	D72	NA
C18	RSVD	D18	RSVD	C73	GND	D73	GND
C19	PCIE_RX6+	D19	PCIE_TX6+	C74	NA	D74	NA
C20	PCIE_RX6-	D20	PCIE_TX6-	C75	NA	D75	NA
C21	GND (FIXED)	D21	GND (FIXED)	C76	GND	D76	GND
C22	PCIE_RX7+	D22	PCIE_TX7+	C77	RSVD	D77	RSVD
C23	PCIE_RX7-	D23	PCIE_TX7-	C78	NA	D78	NA
C24	DDI1_HPD	D24	RSVD	C79	NA	D79	NA
C25	NA	D25	RSVD	C80	GND (FIXED)	D80	GND (FIXED)
C26	NA	D26	DDI1_PAIR0+	C81	NA	D81	NA
C27	RSVD	D27	DDI1_PAIR0-	C82	NA	D82	NA
C28	RSVD	D28	RSVD	C83	RSVD	D83	RSVD
C29	NA	D29	DDI1_PAIR1+	C84	GND	D84	GND
C30	NA	D30	DDI1_PAIR1-	C85	NA	D85	NA
C31	GND (FIXED)	D31	GND (FIXED)	C86	NA	D86	NA
C32	DDI2_CTRLCLK_AUX+	D32	DDI1_PAIR2+	C87	GND	D87	GND
C33	DDI2_CTRLDATA_AUX-	D33	DDI1_PAIR2-	C88	NA	D88	NA
C34	DDI2_DDC_AUX_SEL	D34	DDI1_DDC_AUX_SEL	C89	NA	D89	NA
C35	RSVD	D35	RSVD	C90	GND (FIXED)	D90	GND (FIXED)
C36	NA	D36	DDI1_PAIR3+	C91	NA	D91	NA
C37	NA	D37	DDI1_PAIR3-	C92	NA	D92	NA
C38	NA	D38	RSVD	C93	GND	D93	GND
C39	NA	D39	DDI2_PAIR0+	C94	NA	D94	NA
C40	NA	D40	DDI2_PAIR0-	C95	NA	D95	NA
C41	GND (FIXED)	D41	GND (FIXED)	C96	GND	D96	GND
C42	NA	D42	DDI2_PAIR1+	C97	RSVD	D97	RSVD
C43	NA	D43	DDI2_PAIR1-	C98	NA	D98	NA
C44	NA	D44	DDI2_HPD	C99	NA	D99	NA
C45	RSVD	D45	RSVD	C100	GND (FIXED)	D100	GND (FIXED)
C46	NA	D46	DDI2_PAIR2+	C101	NA	D101	NA
C47	NA	D47	DDI2_PAIR2-	C102	NA	D102	NA
C48	RSVD	D48	RSVD	C103	GND	D103	GND
C49	NA	D49	DDI2_PAIR3+	C104	VCC_12V	D104	VCC_12V
C50	NA	D50	DDI2_PAIR3-	C105	VCC_12V	D105	VCC_12V
C51	GND (FIXED)	D51	GND (FIXED)	C106	VCC_12V	D106	VCC_12V
C52	NA	D52	NA	C107	VCC_12V	D107	VCC_12V
C53	NA	D53	NA	C108	VCC_12V	D108	VCC_12V
C54	TYPE0#	D54	PEG_LANE_RV#	C109	VCC_12V	D109	VCC_12V
C55	NA	D55	NA	C110	GND (FIXED)	D110	GND (FIXED)



DFI reserves the right to change the specifications at any time prior to the product's release. This QR may be based on editions that do not resemble your actual products. For more documentation and drivers, please visit the download page at go.dfi.com/WL968, or via the QR code to the right.

