

MDPi Series

21.5/23.8/27"
True-Flat Healthcare Display with color calibration



KEY FEATURES



DICOM & Gamma Correction

Support DICOM grayscale and Gamma Correction



Internal AC Power

Support internal AC power supply



IP65 & IPx1

IP65 Rating Protection in front bezel & IPx1 in back cover



Full HD Resolution

Support different size screen with Full HD 1920 x 1080 resolution

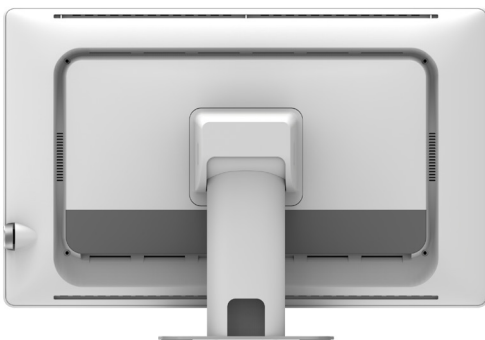


True Flat Screen

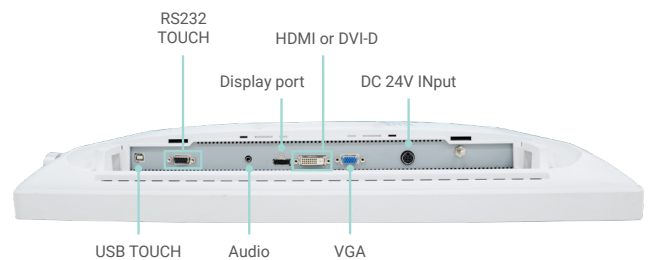
True Flat Screen with Capacitive Touch (AG) for easy clean



PANEL

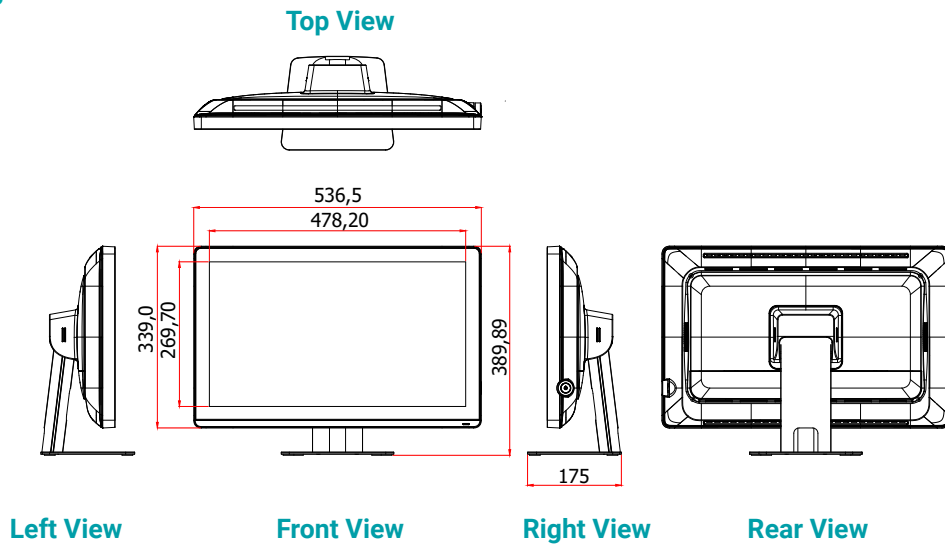


Rear View



Bottom View

DIMENSIONS



SPECIFICATION

MODEL NAME		MDPi215	MDPi238	MDPi270
DISPLAY AND TOUCH SCREEN	Display	21.5" TFT LCD	23.8" TFT LCD	27" TFT LCD
	Max. Resolution	1920 x 1080	1920 x 1080	1920 x 1080 (4K option)
	Brightness	350 nits	250 nits	300 nits
	Contrast	1000 : 1	1000 : 1	3000 : 1
	View Angle	178(H) / 178(V)	178(H) / 178(V)	160(H) / 140(V)
	Color Depth	8 bits	6 bits + FRC	8 bits
	Max. Colors	16.7M		
	Response Time (ms)	22 (On/Off)	14 (GtG)	12 (On/Off)
	Backlight Lifetime	50,000 hrs (Min.)	30,000 hrs (Min.)	30,000 hrs (Min.)
	Touch Type	Projected Capacitive Support 10 points Multi-Touch		
	Glass Coating	AG		
	Interface	Combo(USB/RS232)		
	SYSTEMS	Color Temperature	Neutral/Warm/Cool/User	
Gamma Selection		Neutral/2.2/DICOM		
Gamma LUT (bits)		10		
OSD Languages		English/French/German/Italian/Spanish/Japanese		
Speaker		2 x 2W Speaker		
I/O INTERFACE	VGA	1 x VGA		
	DP	1 x DP1.2		
	HDMI or DVI	1 x HDMI 1.4 or DVI-D		
	Audio	1 x Line-in		
	Power Input	1 x DC IN		
POWER REQUIREMENTS	AC Input	External power adapter, 100 ~ 250V	External power adapter, 100 ~ 250V	External power adapter, 100 ~ 250V
	Power Consumption	40W (Max)	40W (Max)	40W (Max)
MECHANISM	Chassis Material	Plastic ABS		
	IP Rating	IP65 Front Panel		
	Color	White		
	Dimension (W)(H)(D)	537 (W) x 387 (H) x 175 (D) mm (with Stand) 537 (W) x 339 (H) x 69 (D) mm (w/o Stand)	581 (W) x 400 (H) x 175 (D) mm (with Stand) 581 (W) x 360 (H) x 69 (D) mm (w/o Stand)	651 (W) x 441 (H) x 175 (D) mm (with Stand) 651 (W) x 402 (H) x 69 (D) mm (w/o Stand)
	Weight	8.2 (with Stand) 6.5 (w/o Stand)	9.5 (with Stand) 7.7 (w/o Stand)	10.3 (with Stand) 8.4 (w/o Stand)
	Mounting	100 x 100 mm VESA mount		
ENVIRONMENT	Operating Temperature	0°C ~ 40°C		
	Storage Temperature	-20°C ~ 60°C		
	Operating Humidity	30% to 75% non-condensing		
OTHER	OSD	RotaryKnob buttons on the side edge Power On/Off, Menu		
CERTIFICATIONS	EMC / Safety	cTUVus(60601 Ed3.1), CE(EN 60601-1, EN60601-1-2), FCC-Class B		

PACKING LIST

1 Audio Cable
1 DP Cable
1 HDMI Cable
1 VGA Cable
1 USB 2.0 Cable
1 Power Adapter