



ES520-HU

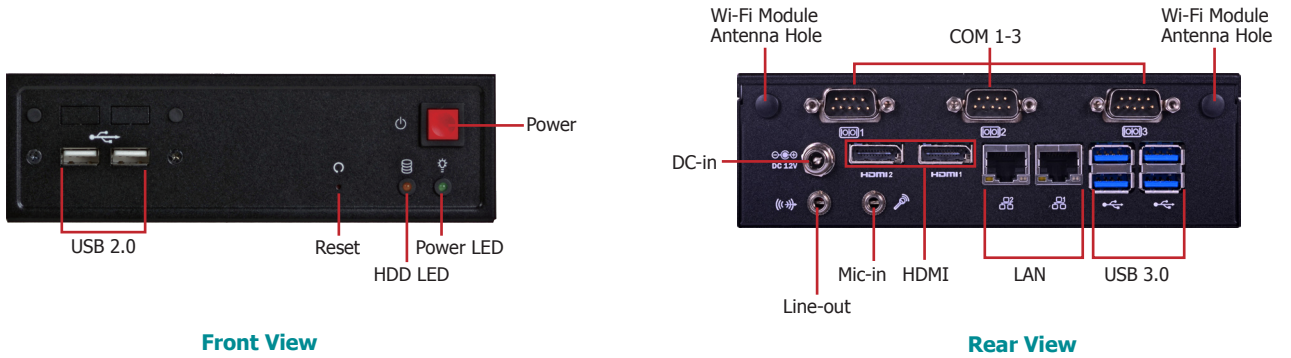
Atom



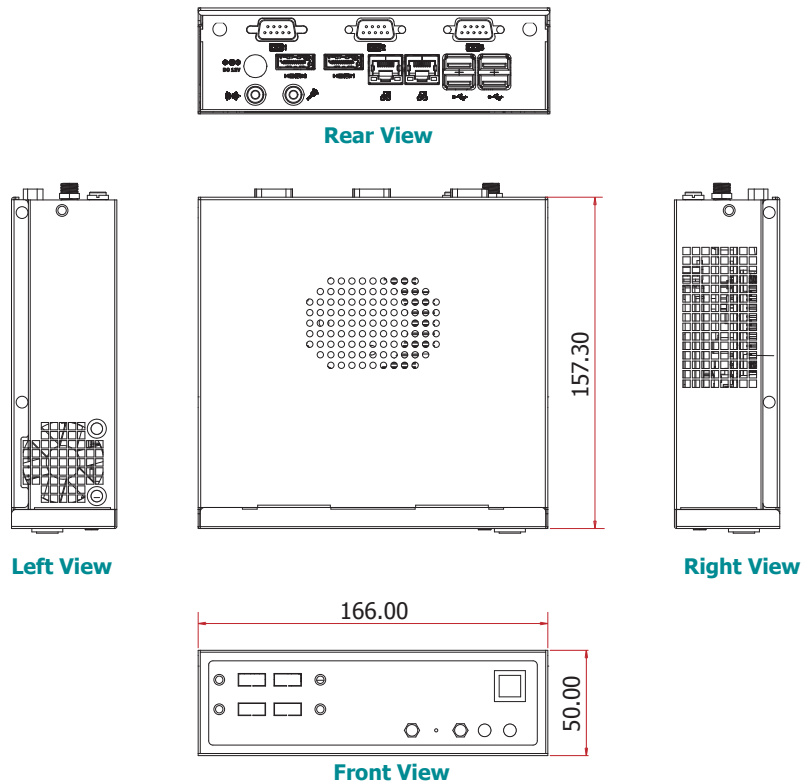
Features

- 1 DDR3L SODIMM up to 8GB
- 1x 2.5" SATA drive bay
- 2 Mini PCIe supports mSATA and 3G signals
- 2 LAN, 3 COM, 6 USB

Panel



Dimensions



ES520-HU

► Specifications

PROCESSOR SYSTEM

- 4th generation Intel® Core™ processors
 - Intel® Core™ i7-4650U, 4M Cache, 1.7GHz (3.3GHz), 15W
 - Intel® Core™ i5-4300U, 3M Cache, 1.9GHz (2.9GHz), 15W
- BGA 1168 packaging technology
- 22nm process technology

MEMORY

- One 204-pin SODIMM socket
- Supports DDR3L 1333/1600MHz
- Supports up to 8GB system memory
- Supports single channel memory interface

GRAPHICS

- Intel® HD Graphics GT series
- Display ports: 2 HDMI
- HDMI: resolution up to 4096x2304 @ 24Hz or 2560x1600 @ 60Hz

STORAGE

- 1 2.5" SATA drive bay

ETHERNET

- Intel® I210 PCI Express Gigabit Ethernet controller
- Intel® I218 with iAMT9.5 Gigabit Ethernet Phy
- Integrated 10/100/1000 transceiver
- Fully compliant with IEEE 802.3, IEEE 802.3u, IEEE 802.3ab

AUDIO

- Realtek ALC888 5.1-channel High Definition Audio

I/O PORTS

- Front Panel
 - 2 USB 2.0 ports
 - 1 HDD LED
 - 1 Power LED
 - 1 Power button
 - 1 Reset button
- Rear Panel
 - 2 DB-9 RS232 serial ports
 - 1 DB-9 RS485 serial port
 - 1 12V DC-in jack
 - 2 HDMI ports
 - 2 RJ45 LAN ports
 - 4 USB 3.0 ports
 - 1 Mic-in
 - 1 Line-out
 - 2 Wi-Fi antenna holes

EXPANSION

- 2 Mini PCIe slots
 - 1 full size supports USB, PCIe, mSATA and LPC signals
 - 1 half size supports USB, PCIe and 3G signals
- 1 SIM card socket

COOLING SYSTEM

- 1 system fan

POWER

- Power input voltage
 - +12V DC

ENVIRONMENT

- Temperature
 - Operating: 0°C ~ 50°C
 - Storage: -10°C ~ 85°C
- Humidity
 - Operating: 0% to 85% non-condensing

CONSTRUCTION

- Sheet metal

MOUNTING

- Wall mount
 - brackets and screws*

DIMENSIONS

- 166mm x 50mm x 157.3mm (W x H x D)

WEIGHT

- 970g

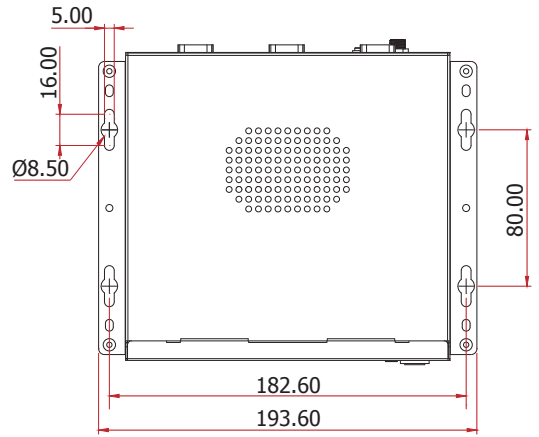
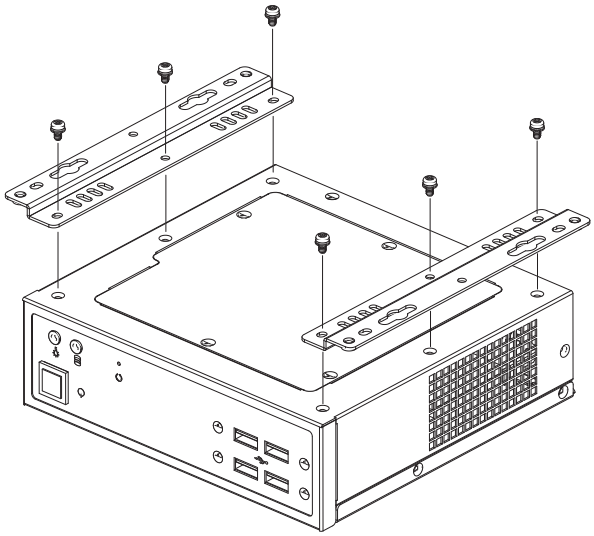
OS SUPPORT

- Windows 7, WES 7, Windows 8.1



ES520-HU

Wall Mounting



ES520-HU

► Ordering Information

| Model Name | Part Number | Description |
|------------|-----------------|---|
| ES520-HU | 750-ES5200-400G | i5-4300U, 2 HDMI, 2 LAN, 3 COM, 6 USB, RoHS |
| ES520-HU | 750-ES5200-500G | i7-4650U, 2 HDMI, 2 LAN, 3 COM, 6 USB, RoHS |

► Optional Items

| Optional Items | Part Number | Description |
|----------------------|-----------------|---|
| Memory | 785-RSOD34G-L | SODIMM, DDR3L Module (supports dual voltage 1.5V DDR3/1.35V DDR3L), 4GB, RoHS |
| | 785-RSOD32G-L | SODIMM, DDR3L Module (supports dual voltage 1.5V DDR3/1.35V DDR3L), 2GB, RoHS |
| HDD | 785-H25500G | 2.5" SATA HDD, 500GB, RoHS |
| | 785-H25250G | 2.5" SATA HDD, 250GB, RoHS |
| | 785-S251TBG | 2.5" SATA SSD, 1TB MLC, RoHS |
| | 785-S25512G | 2.5" SATA SSD, 512GB MLC, RoHS |
| | 785-S25256G | 2.5" SATA SSD, 256GB MLC, RoHS |
| | 785-S25128G | 2.5" SATA SSD, 128GB MLC, RoHS |
| | 785-S25064G | 2.5" SATA SSD, 64GB MLC, RoHS |
| Wi-Fi | 761-110091-000G | Wi-Fi Kit, RoHS |
| Power Cord | 785-PWRD | Power Cord, Standards (USA/EUR/CH), 1.8m, RoHS |
| Power Adapter | 671-107502-000G | 75W, 12V/6.25A, RoHS |
| Wall Mount | 761-ES5200-000G | ES520 Wall Mount Kit, RoHS |

► Packing List

| |
|------------------------------|
| • 1 ES520-HU system unit |
| • 1 Quick Installation Guide |