

EC510-CS/EC511-CS

8th/9th Gen Intel® Core™
Modular-Designed Embedded System



KEY FEATURES



DDR4

DDR4 SODIMM up to 64GB



PoE

Support 4 PoE (EC51x-CS6G86E-Q)



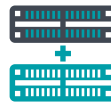
Three Independent Displays

1 VGA + 2 HDMI/DP++ (auto detection)
(for EC51x-CS6G86E and EC51x-CS6G86 SKU)



Support 5G Communication

Support 5G communication



Multiple Expansion

1 PCIe and 3 M.2 slots support NVMe

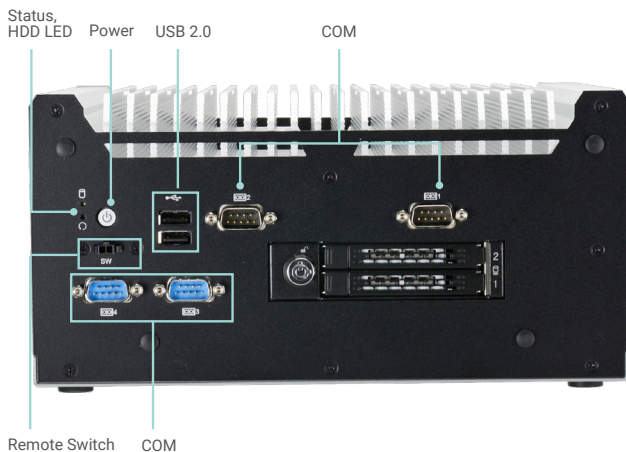


Wide-Temperature

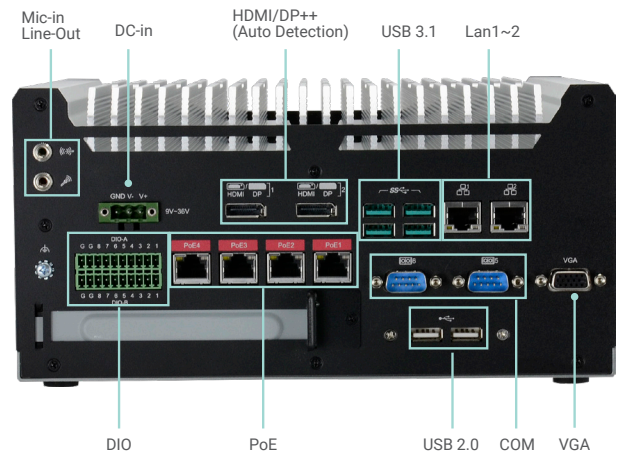
Operating Temperature: -20 to 60°C



PANEL

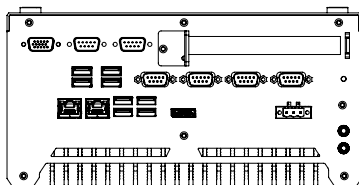


Front View

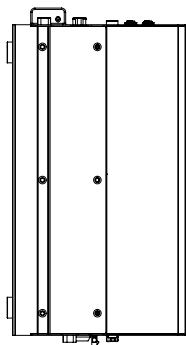


Rear View

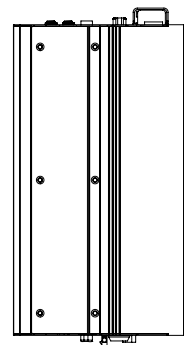
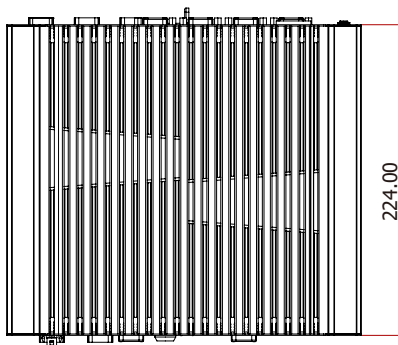
DIMENSIONS



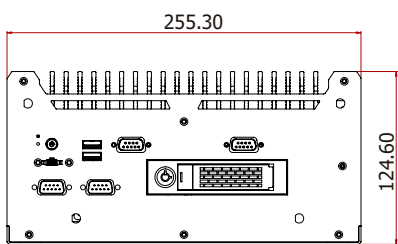
Front View



Left View

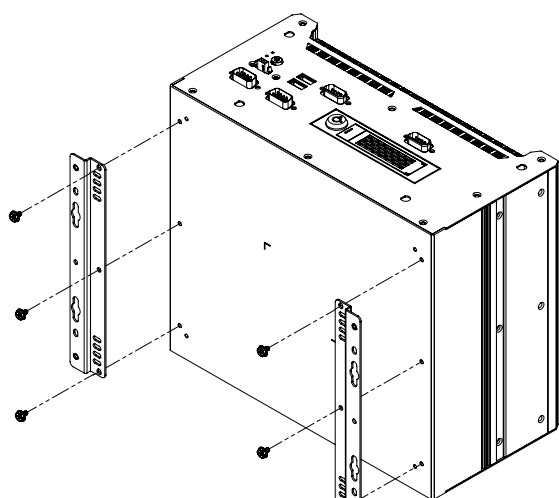


Right View



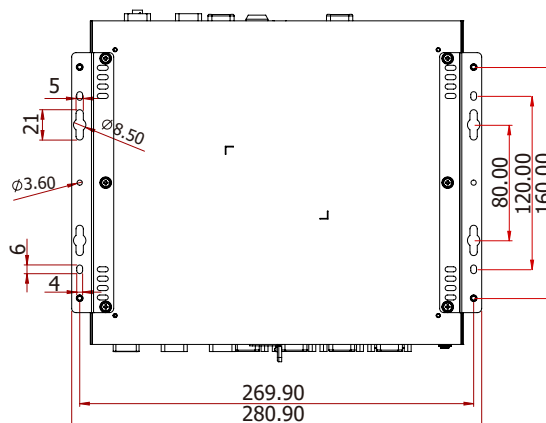
Rear View

WALL MOUNTING



531-510300-000G

A31-028003-102G



SPECIFICATION

SYSTEM	Processor	8th/9th Generation Intel® Core™ Processors, LGA 1151 Intel® Core™ i7-9700TE, Octa Cores, 12M Cache, up to 3.8 GHz, 35W Intel® Core™ i5-9500TE, Hexa Cores, 9M Cache, up to 3.6 GHz, 35W Intel® Core™ i3-9100TE, Quad Cores, 6M Cache, up to 3.2 GHz, 35W Intel® Core™ i7-8700T Processor, Hexa Core, 12M Cache, 2.4GHz (4GHz), 35W Intel® Core™ i5-8500T Processor, Hexa Core, 9M Cache, 2.1GHz (3.5GHz), 35W Intel® Core™ i3-8100T Processor, Quad Core, 6M Cache, 3.1GHz, 35W Intel® Pentium® Processor G5400T, Dual Core, 4M Cache, 3.1GHz, 35W Intel® Celeron® Processor G4900T, Dual Core, 2M Cache, 3.1GHz, 35W	
	Chipset	Intel® Q370/H310 Chipset	
	Memory	Two 260-pin DDR4 2400/2666MHz SODIMM up to 64GB	
	BIOS	AMI SPI 128Mbit	
	GRAPHICS	Controller	Intel® HD Graphics
Feature		OpenGL up to 5.0, DirectX 11, OpenCL 2.1 HW Decode: HEVC/H.265, H.264, M/JPEG, MPEG2, VC1/WMV9, VP8 (8-bit), VP9 (10-bit) HW Encode: HEVC/H.265, M/JPEG, MPEG2, VP8	
Display		-EC51x-CS6G86E-Q/EC51x-CS6G86-Q 1 x VGA 2 x HDMI/DP++ (auto detection) -EC51x-CS98A1-H 1 x VGA 1 x HDMI/DP++ (auto detection)	VGA: resolution up to 1920x1200 @ 60Hz HDMI: resolution up to 4096x2160 @ 30Hz DP++: resolution up to 4096x2304 @ 60Hz
Double/Triple Displays		-EC51x-CS6G86E-Q/EC51x-CS6G86-Q VGA + 2 x HDMI/DP++ (auto detection) -EC51x-CS98A1-H VGA + 1 x HDMI/DP++ (auto detection)	
STORAGE	Interface	2 x 2.5" SATA 3.0 drive bay support RAID 0/1 (EC51x-CS6G86E-Q/EC51x-CS6G86-Q)	
EXPANSION	Interface	-EC510-CS6G86E-Q/EC510-CS6G86-Q 1 x M.2 2230 E key (PCIe/USB 2.0) 1 x M.2 2280 M key (PCIe x4 NVMe/SATA) 1 x M.2 3042/3052 B key (PCIe/USB 3.0) 1 x PCI slot -EC510-CS98A1-H 1 x M.2 2230 E key (PCIe/USB 2.0) 1 x M.2 2280 M key (SATA) 1 x M.2 3042/3052 B key (PCIe) 1 x PCI slot -EC511-CS6G86E-Q/EC511-CS6G86-Q 1 x M.2 2230 E key (PCIe/USB 2.0) 1 x M.2 2280 M key (PCIe x4 NVMe/SATA) 1 x M.2 3042/3052 B key (PCIe/USB 3.0) 1 x PCIe x16 slot -EC511-CS98A1-H 1 x M.2 2230 E key (PCIe/USB 2.0) 1 x M.2 2280 M key (SATA) 1 x M.2 3042/3052 B key (PCIe) 1 x PCIe x16 slot	
AUDIO	Audio Codec	ALC888	
ETHERNET	Controller	-EC51x-CS6G86E-Q/EC51x-CS6G86-Q 1 x Intel® I210AT PCIe (10/100/1000Mbps) 1 x Intel® I219LM with iAMT11.0 PCIe (10/100/1000Mbps) (only Core i7/i5 supports iAMT) -EC51x-CS98A1-H 1 x Intel® I210AT PCIe (10/100/1000Mbps) 1 x Intel® I219V with iAMT11.0 PCIe (10/100/1000Mbps) (only Core i7/i5 supports iAMT)	
LED	Indicators	1 x Status LED 1 x HDD LED	
FRONT I/O	Serial	4 x RS-232/422/485 (DB-9)	
	USB	2 x USB 2.0 (type A)	
	Buttons	1 x Power button 1 x Reset button	
	Antenna	4 x Antenna hole (WiFi)	

SPECIFICATION

REAR I/O	Ethernet/PoE	-EC51x-CS6G86E-Q 2 x GbE (RJ-45) 4 x PoE (RJ-45) -EC51x-CS6G86-Q 6 x GbE (RJ-45) -EC51x-CS98A1-H 2 x GbE (RJ-45)
	COM	-EC51x-CS6G86E-Q/EC51x-CS6G86-Q 2 x RS232 -EC51x-CS98A1-H 3 x RS232/422/485 2 x RS232
	USB	-EC51x-CS6G86E-Q/EC51x-CS6G86-Q 4 x USB 3.1(Gen.2) 2 x USB2.0 -EC51x-CS98A1-H 4 x USB 3.1(Gen.2) 4 x USB 3.1(Gen.1)
	DIO	-EC51x-CS6G86E-Q/EC51x-CS6G86-Q 16 bits DIO -EC51x-CS98A1-H 8 bits DIO
	Display	-EC51x-CS6G86E-Q/EC51x-CS6G86-Q VGA + 2 x HDMI/DP++ (auto detection) -EC51x-CS6G86E-Q/EC51x-CS6G86-Q VGA + 1 x HDMI/DP++ (auto detection)
	Audio	1 x Line-out 1 x Mic-in
	WATCHDOG TIMER	Output & Interval
SECURITY	TPM	TPM 2.0
POWER	Type	Wide range 9~36V
	Connector	3-pole terminal block 2-pin power extension switch connector
OS SUPPORT	OS Support	Windows 10 IoT Enterprise 64 Bit Linux (available upon request)
ENVIRONMENT	Operating Temperature	-20 to 60°C (2.5" SSD or M.2 SSD)
	Storage Temperature	-20 to 85°C
	Relative Humidity	5 to 95% RH (non-condensing)
MECHANICAL	Construction	Metal + Aluminum
	Mounting	Wall mount
	Dimensions (W x H x D)	255.3 x 124.6 x 224mm
	Weight	5.1 kg
STANDARDS AND CERTIFICATIONS	Shock	Half sine wave 3G, 11ms, 3 shock per axis
	Vibration	IEC68-2-64
	Certifications	CE, FCC Class A, UKCA, RoHS, BIS

SYSTEM MODELS: EC510-CS

P/N	Model	CPU	PCH	HDMI/DP (Auto-detection)	VGA	COM	USB 3.1	USB 2.0	LAN	PoE	Expansion Slot	DIO (DB9, 8bit)	DIO (terminal block, 16bit)
750-EC5102-000G	EC510-CS6G86E-Q	-	Q370	2	1	6	4	4	2	4	1 PCI	-	1
750-EC5102-600G	EC510-CS6G86E-Q	i5-8500T											
750-EC5102-300G	EC510-CS6G86E-Q	i7-8700T											
750-EC5102-100G	EC510-CS6G86E-Q	-											
750-EC5102-700G	EC510-CS6G86E-Q	i5-8500T											
750-EC5102-400G	EC510-CS6G86E-Q	i7-8700T	H310	1	9	8	2	2	0	1	-		
750-EC5102-200G	EC510-CS98A1-H	-											
750-EC5102-800G	EC510-CS98A1-H	i5-8500T											
750-EC5102-500G	EC510-CS98A1-H	i7-8700T											

*All above configurations are equipped with remote switch and support 2x2.5" external removable drive bay, 3xM.2 slots (1x M.2 2280 M key, 1x M.2 2230 E key, 1x M.2 3042/3052 B key), and 9V~36Vdc input

SYSTEM MODELS: EC511-CS

P/N	Model	CPU	PCH	HDMI/DP (Auto-detection)	VGA	COM	USB 3.1	USB 2.0	LAN	PoE	Expansion Slot	DIO (DB9, 8bit)	DIO (terminal block, 16bit)	Memory	Storage
750-EC5113-000G	EC511-CS6G86E-Q	-	Q370	2	1	6	4	4	2	4	1 PCIe x16	-	1	-	-
750-EC5113-900G	EC511-CS6G86E-Q	i5-8500T													
750-EC5113-600G	EC511-CS6G86E-Q	i7-8700T													
750-EC5113-300G	EC511-CS6G86E-Q	i7-9700TE													
750-EC5113-100G	EC511-CS6G86E-Q	-													
750-EC5113-A00G	EC511-CS6G86E-Q	i5-8500T													
750-EC5113-700G	EC511-CS6G86E-Q	i7-8700T													
750-EC5113-400G	EC511-CS6G86E-Q	i7-9700TE	H310	1	9	8	2	2	0	1	-	-	-		
750-EC5113-200G	EC511-CS98A1-H	-													
750-EC5113-B00G	EC511-CS98A1-H	i5-8500T													
750-EC5113-800G	EC511-CS98A1-H	i7-8700T													
750-EC5113-500G	EC511-CS98A1-H	i7-9700TE													

*All above configurations are equipped with remote switch and support 2x2.5" external removable drive bay, 3xM.2 slots (1x M.2 2280 M key, 1x M.2 2230 E key, 1x M.2 3042/3052 B key), and 9V~36Vdc input

ORDERING INFORMATION: EC510-CS

Model Name	Part Number	Description
EC510-CS6G86E-Q	750-EC5102-000G	Fanless, CS263,Q370, 6 COM, 16 DIO, 8 USB, 2 HDMI/DP, 1 VGA, 2 LAN, 4 POE (802.3af), 1 Line-out, 1 Mic-in, 1 PCI, DC 9~36V input, TPM2.0, F/G SYSTEM RoHS
EC510-CS6G86-Q	750-EC5102-100G	Fanless, CS263,Q370, 6 COM, 16 DIO, 8 USB, 2 HDMI/DP, 1 VGA, 6 LAN, 1 Line-out, 1 Mic-in, 1 PCI, DC 9~36V input, TPM2.0, F/G SYSTEM RoHS
EC510-CS98A1-H	750-EC5102-200G	Fanless, CS263,H310, 9 COM, 8 DIO, 10 USB, 1 HDMI/DP, 1 VGA, 2 LAN, 1 Line-out, 1 Mic-in, 1 PCI, DC 9~36V input, TPM2.0, F/G SYSTEM RoHS
EC510-CS6G86E-Q	750-EC5102-300G	Fanless, CS263,Q370, i7-8700T CPU, 6 COM, 16 DIO, 8 USB, 2 HDMI/DP, 1 VGA, 2 LAN, 4 POE (802.3af), 1 Line-out, 1 Mic-in, 1 PCI, DC 9~36V input, TPM2.0, F/G SYSTEM RoHS
EC510-CS6G86-Q	750-EC5102-400G	Fanless, CS263,Q370, i7-8700T CPU, 6 COM, 16 DIO, 8 USB, 2 HDMI/DP, 1 VGA, 6 LAN, 1 Line-out, 1 Mic-in, 1 PCI, DC 9~36V input, TPM2.0, F/G SYSTEM RoHS
EC510-CS98A1-H	750-EC5102-500G	Fanless, CS263,H310, i7-8700T CPU, 9 COM, 8 DIO, 10 USB, 1 HDMI/DP, 1 VGA, 2 LAN, 1 Line-out, 1 Mic-in, 1 PCI, DC 9~36V input, TPM2.0, F/G SYSTEM RoHS
EC510-CS6G86E-Q	750-EC5102-600G	Fanless, CS263,Q370, i5-8500T CPU, 6 COM, 16 DIO, 8 USB, 2 HDMI/DP, 1 VGA, 2 LAN, 4 POE (802.3af), 1 Line-out, 1 Mic-in, 1 PCI, DC 9~36V input, TPM2.0, F/G SYSTEM RoHS
EC510-CS6G86-Q	750-EC5102-700G	Fanless, CS263,Q370, i5-8500T CPU, 6 COM, 16 DIO, 8 USB, 2 HDMI/DP, 1 VGA, 6 LAN, 1 Line-out, 1 Mic-in, 1 PCI, DC 9~36V input, TPM2.0, F/G SYSTEM RoHS
EC510-CS98A1-H	750-EC5102-800G	Fanless, CS263,H310, i5-8500T CPU, 9 COM, 8 DIO, 10 USB, 1 HDMI/DP, 1 VGA, 2 LAN, 1 Line-out, 1 Mic-in, 1 PCI, DC 9~36V input, T+B20:D24PM2.0, F/G SYSTEM RoHS

ORDERING INFORMATION: EC510-CS

Model Name	Part Number	Description
EC511-CS6G86E-Q	750-EC5113-000G	Fanless, CS263,Q370, 6 COM, 16 DIO, 8 USB, 2 HDMI/DP, 1 VGA, 2 LAN, 4 POE (802.3af), 1 Line-out, 1 Mic-in, 1 PCIe x16, DC 9~36V input, TPM2.0, F/G SYSTEM RoHS
EC511-CS6G86-Q	750-EC5113-100G	Fanless, CS263,Q370, 6 COM, 16 DIO, 8 USB, 2 HDMI/DP, 1 VGA, 6 LAN, 1 Line-out, 1 Mic-in, 1 PCIe x16, DC 9~36V input, TPM2.0, F/G SYSTEM RoHS
EC511-CS98A1-H	750-EC5113-200G	Fanless, CS263,H310, 9 COM, 8 DIO, 10 USB, 1 HDMI/DP, 1 VGA, 2 LAN, 1 Line-out, 1 Mic-in, 1 PCIe x16, DC 9~36V input, TPM2.0, F/G SYSTEM RoHS
EC511-CS6G86E-Q	750-EC5113-300G	Fanless, CS263,Q370, i7-9700TE CPU, 32GB memory, 2 x 2.5" 128GB SSD, 6 COM, 16 DIO, 8 USB, 2 HDMI/DP, 1 VGA, 2 LAN, 4 POE (802.3af), 1 Line-out, 1 Mic-in, 1 PCIe x16, DC 9~36V input, F/G SYSTEM RoHS
EC511-CS6G86-Q	750-EC5113-400G	Fanless, CS263,Q370, i7-9700TE CPU, 32GB memory, 2 x 2.5" 128GB SSD, 6 COM, 16 DIO, 8 USB, 2 HDMI/DP, 1 VGA, 6 LAN, 1 Line-out, 1 Mic-in, 1 PCIe x16, DC 9~36V input, F/G SYSTEM RoHS
EC511-CS98A1-H	750-EC5113-500G	Fanless, CS263,H310, i7-9700TE CPU, 32GB memory, 2 x 2.5" 128GB SSD, 9 COM, 8 DIO, 10 USB, 1 HDMI/DP, 1 VGA, 2 LAN, 1 Line-out, 1 Mic-in, 1 PCIe x16, DC 9~36V input, F/G SYSTEM RoHS
EC511-CS6G86E-Q	750-EC5113-600G	Fanless, CS263,Q370, i7-8700T CPU, 6 COM, 16 DIO, 8 USB, 2 HDMI/DP, 1 VGA, 2 LAN, 4 POE (802.3af), 1 Line-out, 1 Mic-in, 1 PCIe x16, DC 9~36V input, TPM2.0, F/G SYSTEM RoHS
EC511-CS6G86-Q	750-EC5113-700G	Fanless, CS263,Q370, i7-8700T CPU, 6 COM, 16 DIO, 8 USB, 2 HDMI/DP, 1 VGA, 6 LAN, 1 Line-out, 1 Mic-in, 1 PCIe x16, DC 9~36V input, TPM2.0, F/G SYSTEM RoHS
EC511-CS98A1-H	750-EC5113-800G	Fanless, CS263,H310, i7-8700T CPU, 9 COM, 8 DIO, 10 USB, 1 HDMI/DP, 1 VGA, 2 LAN, 1 Line-out, 1 Mic-in, 1 PCIe x16, DC 9~36V input, TPM2.0, F/G SYSTEM RoHS
EC511-CS6G86E-Q	750-EC5113-900G	Fanless, CS263,Q370, i5-8500T CPU, 6 COM, 16 DIO, 8 USB, 2 HDMI/DP, 1 VGA, 2 LAN, 4 POE (802.3af), 1 Line-out, 1 Mic-in, 1 PCIe x16, DC 9~36V input, TPM2.0, F/G SYSTEM RoHS
EC511-CS6G86-Q	750-EC5113-A00G	Fanless, CS263,Q370, i5-8500T CPU, 6 COM, 16 DIO, 8 USB, 2 HDMI/DP, 1 VGA, 6 LAN, 1 Line-out, 1 Mic-in, 1 PCIe x16, DC 9~36V input, TPM2.0, F/G SYSTEM RoHS
EC511-CS98A1-H	750-EC5113-B00G	Fanless, CS263,H310, i5-8500T CPU, 9 COM, 8 DIO, 10 USB, 1 HDMI/DP, 1 VGA, 2 LAN, 1 Line-out, 1 Mic-in, 1 PCIe x16, DC 9~36V input, TPM2.0, F/G SYSTEM RoHS

PACKING LIST

1 EC510/EC511-CS system unit
1 M.2 slot screws
1 terminal block 3-pole for DC input
1 cable with 2 wire stripped and tinned to DC jack