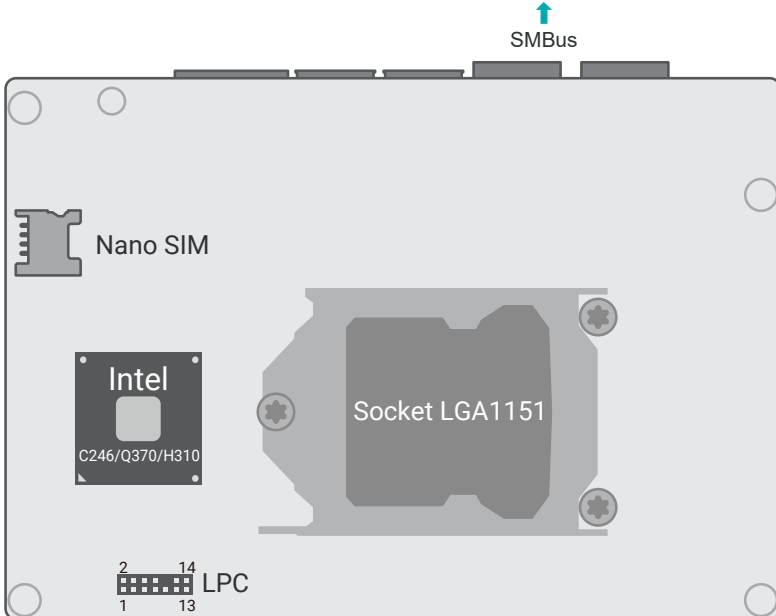
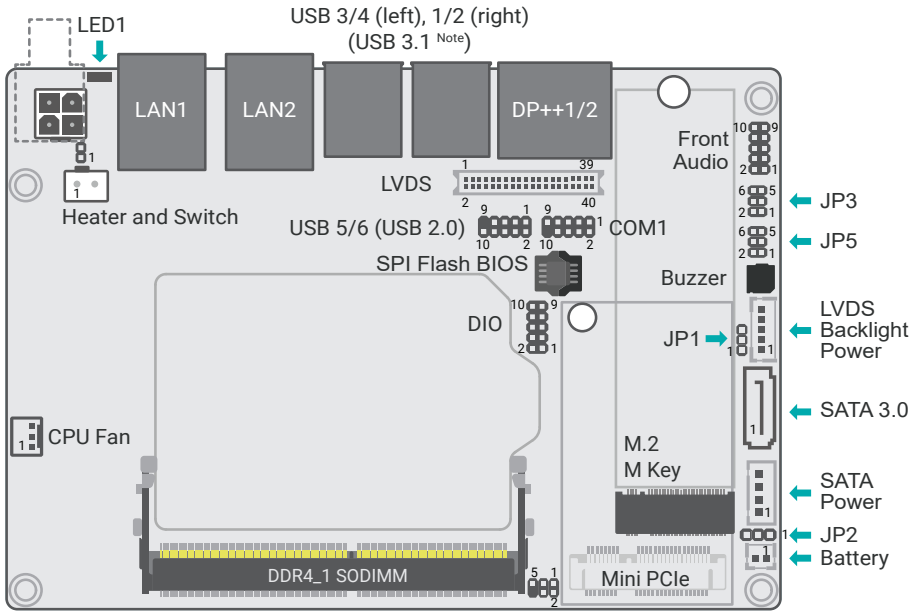


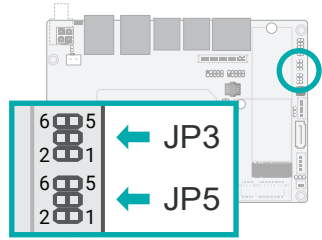
Board Layout



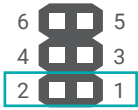
Jumper Settings

Front Panel (JP5)

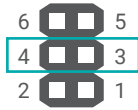
Pin	Assignment	Pin	Assignment
1	Power Button	2	Power LED VCC
3	GND	4	Power LED
5	System Reset	6	HDD LED



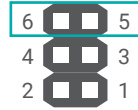
Panel Power Select (JP3)



■ 1-2 On: +12V



■ 3-4 On: +5V



■ 5-6 On: +3.3V (default)

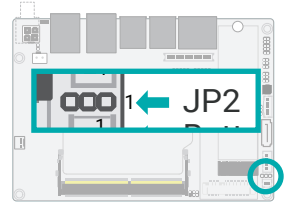
Clear CMOS (JP2)



■ 1-2 On: Normal (default)



■ 2-3 On: Clear CMOS



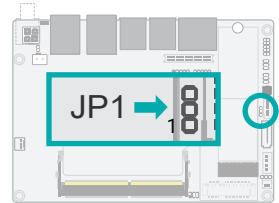
Backlight Power Select (JP1)



■ 1-2 On: +3V3 (default)

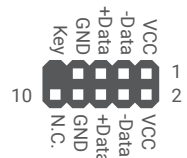
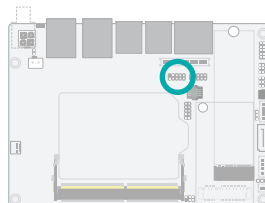
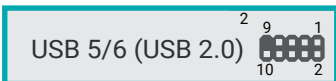


■ 2-3 On: +5V



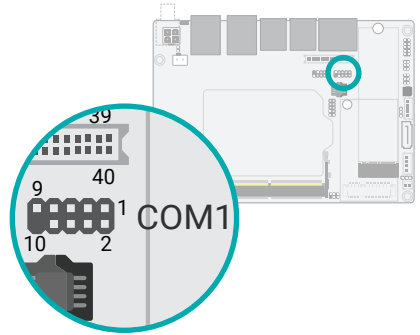
Pin Assignments

■ USB 2.0 Pin Assignment



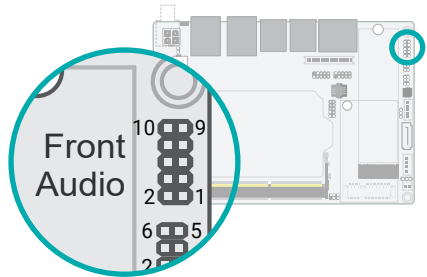
COM Port Pin Assignment

Pin	RS232	RS422	RS485
1	DCD-	TXD-	Data-
2	RD	TXD+	Data+
3	TD	RXD+	N.C.
4	DTR-	RXD-	N.C.
5	GND	GND	GND
6	DSR-	N.C.	N.C.
7	RTS-	N.C.	N.C.
8	CTS-	N.C.	N.C.
9	RI-	N.C.	N.C.



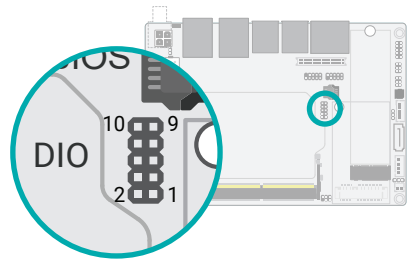
Front Audio Pin Assignment

Pin	Assignment	Pin	Assignment
1	Mic-L	2	GND
3	Mic-R	4	N.C.
5	Line-Out-R	6	Mic-JD (sense)
7	GND	8	KEY
9	Line-Out-L	10	Line-JD (sense)



Digital I/O Pin Assignment

Pin	Assignment	Pin	Assignment
1	DIO_6	2	DIO_7
3	DIO_4	4	DIO_5
5	DIO_2	6	DIO_3
7	DIO_0	8	DIO_1
9	GND	10	5VSB

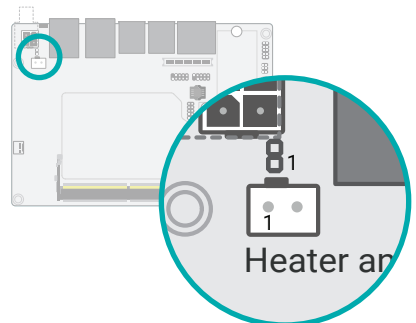


Heater Switch Pin Header

Pin	Assignment	Pin	Assignment
1	Manual Reset	2	12VSB_PG_SW

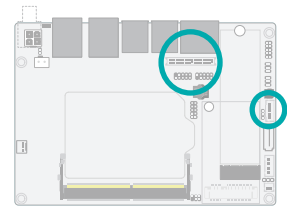
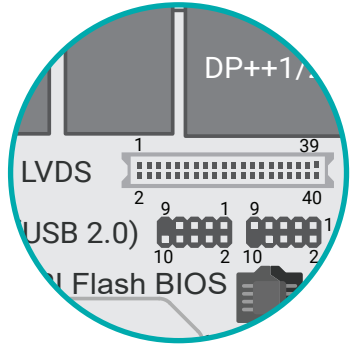
Heater Box Header

Pin	Assignment	Pin	Assignment
1	12V	2	12VSB_PG_SW



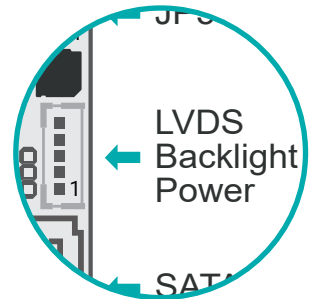
■ LVDS LCD Panel Pin Assignment

Pin	Function	Pin	Function
1	GND	2	GND
3	LVDSA_Out3+	4	LVDSB_Out3+
5	LVDSA_Out3-	6	LVDSB_Out3-
7	GND	8	GND
9	LVDSA_Out2+	10	LVDSB_Out2+
11	LVDSA_Out2-	12	LVDSB_Out2-
13	GND	14	GND
15	LVDSA_Out1+	16	LVDSB_Out1+
17	LVDSA_Out1-	18	LVDSB_Out1-
19	GND	20	GND
21	LVDSA_Out0+	22	LVDSB_Out0+
23	LVDSA_Out0-	24	LVDSB_Out0-
25	GND	26	GND
27	LVDSA_CLK1+	28	LVDSB_CLK1+
29	LVDSA_CLK1-	30	LVDSB_CLK1-
31	GND	32	GND
33	LVDS_DDC_CLK	34	NC
35	LVDS_DDC_DATA	36	+3.3V
37	Panel Power	38	Panel Power
39	Panel Power	40	Panel Power



■ Backlight Power Pin Assignment

Pin	Function	Pin	Function
1	+12V	4	PWM Brightness Control
2	GND	5	5V
3	Backlight On/Off		



DFI reserves the right to change the specifications at any time prior to the product's release. This QR may be based on editions that do not resemble your actual products. For more documentation and drivers, please visit the download page at go.dfi.com/CS551, or via the QR code to the right.

