

# EC500-CS

Q370  
H310  
C246



8th/9th Gen Intel® Core™  
Modular-Designed Embedded System



## KEY FEATURES



### DDR4

DDR4 SODIMM up to 64GB



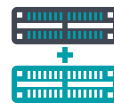
### Wide-Temperature

Operating temperature: -20 to 70°C



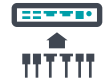
### Three Independent Displays

1 VGA + 2 HDMI/DP++ (auto detection)



### Multiple Expansion

1 Mini PCIe and 2 M.2 slots support NVMe



### Rich I/O

2 GbE, 6 COM, 4 USB 3.1, 2 USB 2.0 (Q370/C246 only)

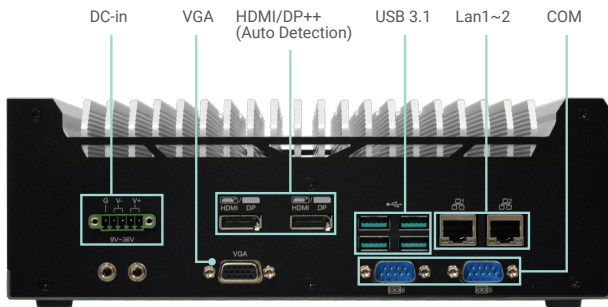


### Support 5G Communication

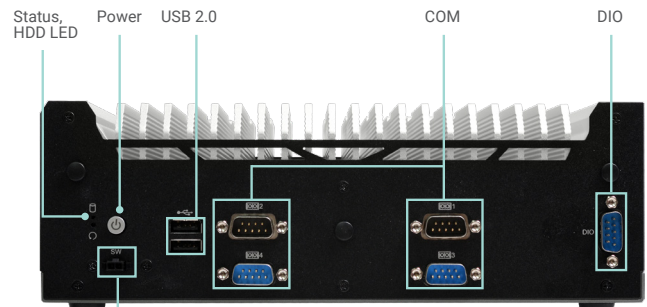
Support 5G communication



## PANEL

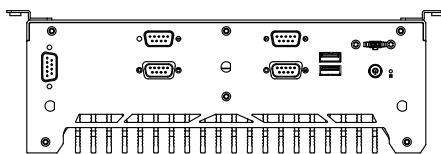


Front View

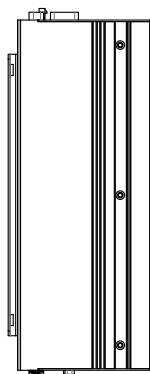


Rear View

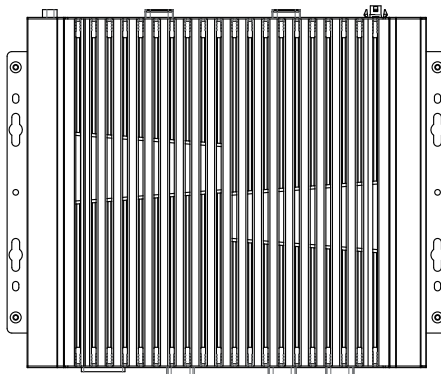
## DIMENSIONS



Front View



Left View

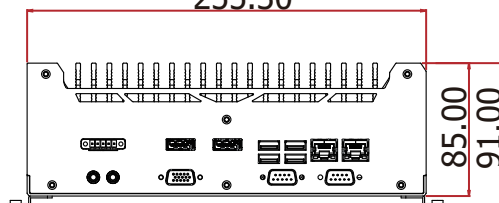


255.30



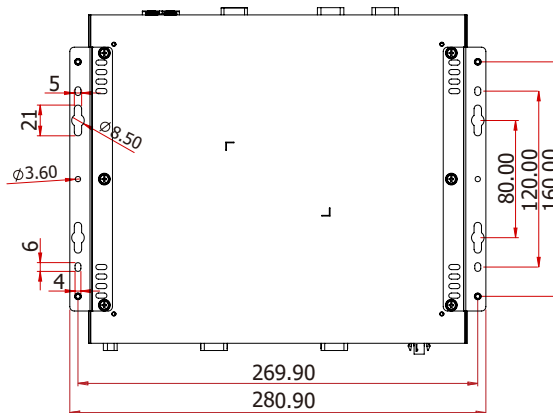
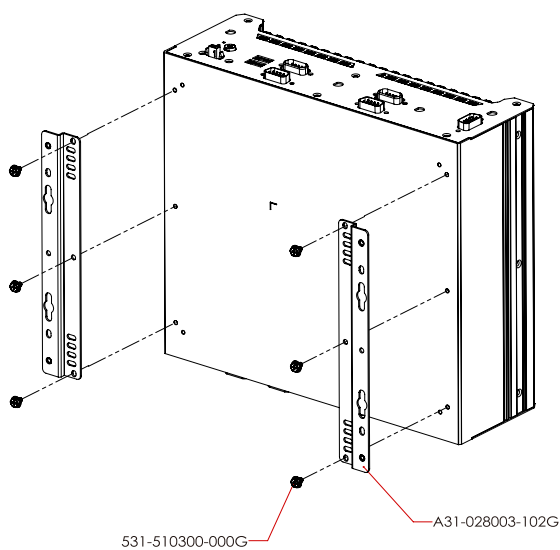
224.00

Right View



Rear View

## WALL MOUNTING



## SPECIFICATION

<b>SYSTEM</b>	<b>Processor</b>	8th/9th Generation Intel® Core™ Processors, LGA 1151 Intel® Core™ i7-9700TE , Octa Cores, 12M Cache, up to 3.8 GHz, 35W Intel® Core™ i5-9500TE , Hexa Cores, 9M Cache, up to 3.6 GHz), 35W Intel® Core™ i3-9100TE, Quad Cores, 6M Cache, up to 3.2 GHz, 35W Intel® Core™ i7-8700T Processor, Hexa Core, 12M Cache, 2.4GHz (4GHz), 35W Intel® Core™ i5-8500T Processor, Hexa Core, 9M Cache, 2.1GHz (3.5GHz), 35W Intel® Core™ i3-8100T Processor, Quad Core, 6M Cache, 3.1GHz, 35W Intel® Pentium® Processor G5400T, Dual Core, 4M Cache, 3.1GHz, 35W Intel® Celeron® Processor G4900T, Dual Core, 2M Cache, 3.1GHz, 35W
	<b>Chipset</b>	Intel® Q370/C246/H310 Chipset
	<b>Memory</b>	Two 260-pin DDR4 2400/2666MHz SODIMM up to 64GB
	<b>BIOS</b>	Insyde SPI 128Mbit
	<b>GRAPHICS</b>	<b>Controller</b>
	<b>Feature</b>	OpenGL up to 5.0, DirectX 11, OpenCL 2.1 HW Decode: HEVC/H.265, H.264, M/JPEG, MPEG2, VC1/WMV9, VP8 (8-bit), VP9 (10-bit) HW Encode: HEVC/H.265, M/JPEG, MPEG2, VP8
	<b>Display</b>	Q370/C246: 1 x VGA 2 x HDMI/DP++ (auto detection) H310: 1 x VGA 1 x HDMI/DP++ (auto detection) VGA: resolution up to 1920x1200 @ 60Hz HDMI: resolution up to 4096x2160 @ 30Hz DP++: resolution up to 4096x2304 @ 60Hz
	<b>Dual/Triple Displays</b>	Q370/C246: 1 x VGA + 2 x HDMI/DP++ (auto detection) H310: 1 x VGA + 1 x HDMI/DP++ (auto detection)
<b>STORAGE</b>	<b>Internal</b>	2 x 2.5" SATA 3.0 Drive Bay support RAID 0/1
<b>EXPANSION</b>	<b>Interface</b>	Q370/C246: 1 x M.2 2230 E key (PCIe/USB 2.0) 1 x M.2 2280 M key (PCIe x4 NVMe/SATA) 1 x M.2 3052 B key (PCIe/USB3.0) H310: 1 x M.2 2230 E key (PCIe/USB 2.0) 1 x M.2 2280 M key (SATA) 1 x M.2 3052 B key (PCIe)
<b>AUDIO</b>	<b>Audio Codec</b>	Realtek ALC262
<b>ETHERNET</b>	<b>Controller</b>	Q370/C246: 1 x Intel® I211AT PCIe (10/100/1000Mbps) 1 x Intel® I219LM with iAMT11.0 PCIe (10/100/1000Mbps) (only Core i7/i5 supports iAMT) H310: 1 x Intel® I211AT PCIe (10/100/1000Mbps) 1 x Intel® I219V PCIe (10/100/1000Mbps)
<b>LED</b>	<b>Indicators</b>	1 x Status LED 1 x HDD LED
<b>FRONT I/O</b>	<b>Serial</b>	4 x RS-232/422/485 (DB-9)
	<b>USB</b>	2 x USB 2.0 (type A)
	<b>DIO</b>	8 bit (DB-9)
	<b>Buttons</b>	1 x Power button 1 x Reset button
	<b>Antenna</b>	4 x Antenna hole
<b>REAR I/O</b>	<b>Ethernet</b>	2 x GbE (RJ-45)
	<b>Serial</b>	2 x RS-232 (DB-9)
	<b>USB</b>	4 x USB 3.1 (type A)
	<b>Display</b>	Q370/C246: VGA + 2 x HDMI/DP++ (auto detection) H310: VGA + 1 x HDMI/DP++ (auto detection)
	<b>Audio</b>	1 x Line-out 1 x Mic-in
<b>WATCHDOG TIMER</b>	<b>Output &amp; Interval</b>	System reset, programmable via software from 1 to 255 seconds
<b>SECURITY</b>	<b>TPM</b>	TPM 2.0
<b>POWER</b>	<b>Type</b>	Wide range 9~36V
	<b>Connector</b>	3-pole terminal nlock 3-pin power extension switch connector
<b>OS SUPPORT</b>		Windows 10 IoT Enterprise 64 Bit Linux (available upon request)

## SPECIFICATION

<b>MECHANISM</b>	<b>Construction</b>	Metal + Aluminum
	<b>Mounting</b>	Wall Mount
	<b>Dimensions (W x H x D)</b>	255.3 x 85 x 224mm
	<b>Weight</b>	4.15 kg
<b>ENVIRONMENT</b>	<b>Operating Temperature</b>	-20 to 70°C (SSD or mSATA)
	<b>Storage Temperature</b>	-20 to 85°C
	<b>Relative Humidity</b>	5 to 95% RH (non-condensing)
<b>STANDARDS AND CERTIFICATIONS</b>	<b>Shock</b>	Half sine wave 3G, 11ms, 3 shock per axis
	<b>Vibration</b>	IEC68-2-64
	<b>Certification</b>	CE, FCC Class A

## ORDERING INFORMATION

Model Name	Part Number	Description
EC500-CS4061-Q	750-EC5003-000G	EC500-CS4061-Q:Fanless, CS263, Q370, CPU i5-8500T, 6 COM, 6 USB, 1 VGA, 2 HDMI/DP, 2 LAN, 1 Line-out, 1 Mic-in, 8 bits DIO, DC9~36V, F/G SYSTEM RoHS
EC500-CS4061-H	750-EC5003-100G	EC500-CS4061-H:Fanless, CS263, H310, CPU i5-8500T, 6 COM, 6 USB, 1 VGA, 1 HDMI/DP, 2 LAN, 1 Line-out, 1 Mic-in, 8 bits DIO, DC9~36V, F/G SYSTEM RoHS
EC500-CS4061-C	750-EC5003-200G	EC500-CS4061-C:Fanless, CS263, C246, CPU i5-8500T, 6 COM, 6 USB, 1 VGA, 2 HDMI/DP, 2 LAN, 1 Line-out, 1 Mic-in, 8 bits DIO, DC9~36V, F/G SYSTEM RoHS

## PACKING LIST

1 EC500-CS system unit
1 M.2 slot & Mini-PCIe slot screws
1 terminal block 5 pole for DC input
1 cable with 2 wire stripped and tinned to DC jack