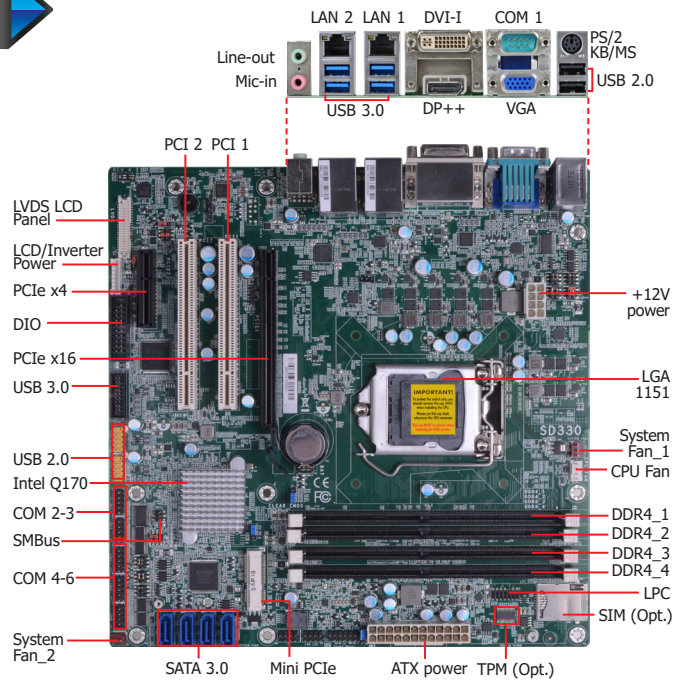


## SD330-Q170

Desktop

Q170

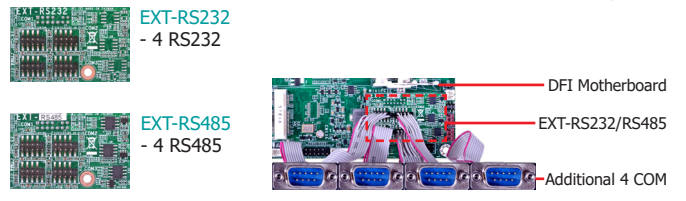


### Features

- 4 DDR4 DIMM up to 64GB
- Four display ports: VGA, LVDS, DVI-I, DP++ Supports three independent displays
- DP++ resolution up to 4096x2160 @ 60Hz Dual Channel LVDS resolution up to 1920x1200 @ 60Hz
- Multiple expansion: 1 PCIe x16, 1 PCIe x4, 2 PCI, 1 Mini PCIe
- Rich I/O: 2 Intel GbE, 6 COM, 6 USB 3.0, 6 USB 2.0
- LPC EXT-RS232/485 module extends additional 4 COM ports



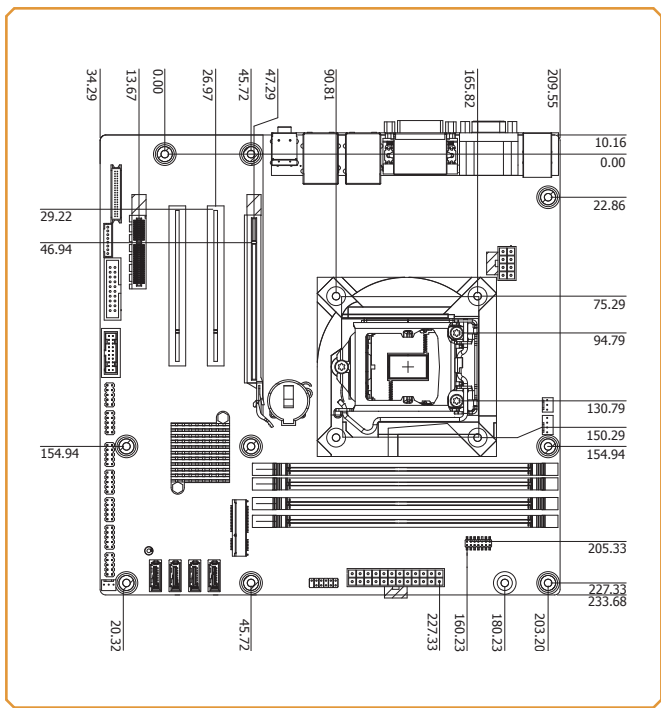
### 2 Extension Modules for Additional 4 COM Ports (via the LPC connector)



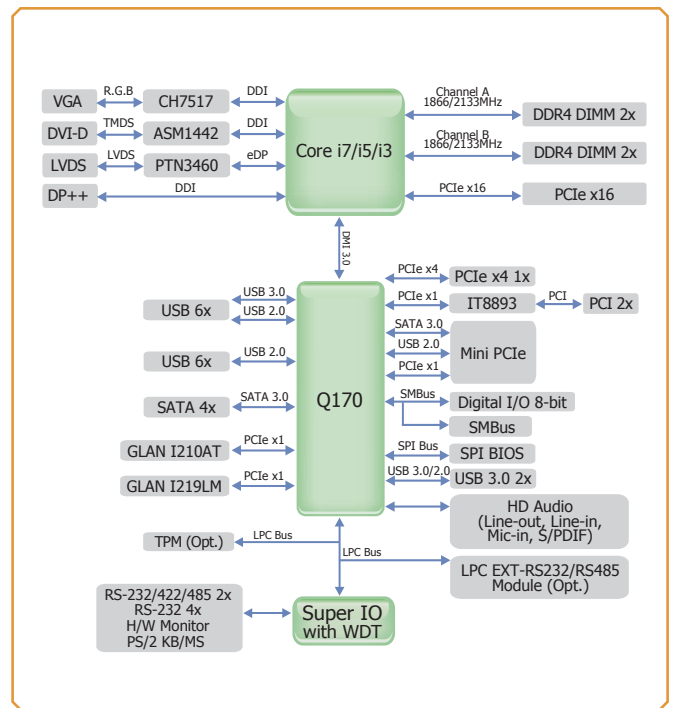
### Ordering Information

Model Name	P/N	Memory	GbE	RS-232/422/485	RS-232	USB 3.0	USB 2.0	Power	Thermal	Temp.
SD330-Q170CRM	770-SD3302-100G	4 DIMM	2	2	4	6	6	24-pin ATX	Active	0 to 60°C

### Mechanical Drawing



### Block Diagram



## Specifications

<b>SYSTEM</b>	<b>Processor</b>	6th/7th Generation Intel® Core™ /Pentium®/Celeron® LGA 1151 Socket Processors with TDP up to 95W		
	<b>Chipset</b>	Intel® Q170 Chipset		
	<b>Memory</b>	Four 288-pin DIMM up to 64GB	Dual Channel DDR4 1866/2133MHz	
	<b>BIOS</b>	Insyde SPI 128Mbit		
<b>GRAPHICS</b>	<b>Controller</b>	Intel® HD Gen 9 Graphics		
	<b>Feature</b>	OpenGL 5.0, DirectX 12, OpenCL 2.1 HW Decode: AVC/H.264, MPEG2, VC1/WMV9, JPEG/MJPEG, HEVC/H265, VP8, VP9 HW Encode: MPEG2, AVC/H264, JPEG, HEVC/H265, VP8, VP9		
	<b>Display</b>	1 x VGA 1 x LVDS 1 x DVI-I (DVI-D signal) 1 x DP++	VGA: resolution up to 1920x1200 @ 60Hz LVDS: dual channel, resolution up to 1920x1200 @ 60Hz DVI-I: resolution up to 1920x1200 @ 60Hz DP++: resolution up to 4096x2160 @ 60Hz	
	<b>Triple Displays</b>	VGA + DVI-I (DVI-D signal) + DP++ VGA + LVDS + DP++	VGA + LVDS + DVI-I (DVI-D signal) LVDS + DVI-I (DVI-D signal) + DP++	
<b>EXPANSION</b>	<b>Interface</b>	1 x PCIe x16 (Gen 3) 1 x PCIe x4 (Gen 3) 2 x PCI	1 x Full-size Mini PCIe (USB/PCIe/mSATA, PCIe by default) 1 x SIM (opt., MOQ required)	
<b>AUDIO</b>	<b>Audio Codec</b>	Realtek ALC888S-VD2-GR		
<b>ETHERNET</b>	<b>Controller</b>	1 x Intel® I210AT PCIe (10/100/1000Mbps) 1 x Intel® I219LM PCIe with iAMT11.0 (10/100/1000Mbps) (only Core i7/i5 supports iAMT)		
<b>REAR I/O</b>	<b>Ethernet</b>	2 x GbE (RJ-45)		
	<b>USB</b>	4 x USB 3.0	2 x USB 2.0	
	<b>Serial</b>	1 x RS-232/422/485 (RS-232 w/ power) (DB-9)		
	<b>PS/2</b>	1 x PS/2 (mini-DIN-6)		
	<b>Display</b>	1 x VGA	1 x DVI-I (DVI-D signal) 1 x DP++	
	<b>Audio</b>	1 x Line-out	1 x Mic-in 1 x Line-in (opt., MOQ required)	
<b>INTERNAL I/O</b>	<b>Serial</b>	1 x RS-232/422/485 (RS-232 w/ power) (2.54mm pitch)	4 x RS-232 (2.54mm pitch)	
	<b>USB</b>	2 x USB 3.0 (2.00mm pitch)	4 x USB 2.0 (2.54mm pitch)	
	<b>Audio</b>	1 x Audio (Line-out/Mic-in) (opt., MOQ required)		
	<b>SATA</b>	4 x SATA 3.0 (up to 6Gb/s)	RAID 0/1/5/10	
	<b>DIO</b>	1 x 8-bit DIO		
	<b>LPC</b>	1 x LPC (supports LPC EXT-RS232/RS485 module)		
	<b>SMBus</b>	1 x SMBus		
	<b>Display</b>	1 x LVDS LCD Panel Connector	1 x LCD/Inverter Power	
	<b>WATCHDOG TIMER</b>	<b>Output &amp; Interval</b>	System Reset, Programmable via Software from 1 to 255 Seconds	
	<b>SECURITY</b>	<b>TPM</b>	Infineon TPM2.0/1.2 (opt., MOQ required)	
<b>POWER</b>	<b>Type</b>	ATX		
	<b>Connector</b>	8-pin ATX 12V power	24-pin ATX power	
	<b>Consumption</b>	Idle: i5-6500 65W: 12V @ 1.5055A (18.0660W), 5V @ 0.7370A (3.6850W), 3.3V @ 0.7249 (2.3921W) Max: i5-6500 65W: 12V @ 7.4060A (88.8720W), 5V @ 0.7698A (3.8490W), 3.3V @ 0.8004A (2.6413W)		
	<b>RTC Battery</b>	CR2032 Coin Cell		
<b>OS SUPPORT</b>		Windows 7 32/64-bit Windows 8.1 64-bit Windows 10 64-bit Linux Note: 7th Gen CPU SKU ONLY support Windows 10 64-bit & Linux.		
<b>ENVIRONMENT</b>	<b>Temperature</b>	Operating: 0 to 60°C	Storage: -40 to 85°C	
	<b>Humidity</b>	Operating: 5 to 90% RH	Storage: 5 to 90% RH	
	<b>MTBF</b>	363,066 hrs @ 25°C; 204,404 hrs @ 45°C; 127,841 hrs @ 60°C Calculation Model: Telcordia Issue 2, Method Case 3 Environment: GB, GC – Ground Benign, Controlled		
<b>MECHANICAL</b>	<b>Dimensions</b>	microATX form factor		
	<b>Height</b>	PCB: 1.6mm	Top Side: 38.5mm, Bottom Side: 4.4mm	
<b>CERTIFICATIONS</b>		CE, FCC Class B, RoHS, UL		

## Packing List

• 1 SD330-Q170 motherboard	
• 1 COM port cable (Length: 300mm, 2 x COM ports)	A81-015026-023G
• 1 Serial ATA data cable (Length: 500mm)	332-553001-005G
• 1 I/O shield	A49-SD3300-001G

## Optional Items

• USB 2.0 port cable (Length: 350mm)	A81-001066-016G
• USB 3.0 port cable (Length: 320mm)	A81-001052-023G
• COM port cable (Length: 300mm, 2 x COM ports)	A81-015026-023G
• Serial ATA data cable (Length: 500mm)	332-553001-005G
• Thermal solution (For 35W, Height: 37.3mm)	A71-103004-000G
• Thermal solution (For 65W, Height: 72.8mm)	552-200049-000G
• Thermal solution (For 95W, Height: 69.3mm)	761-103001-000G
• LPC EXT-RS232 module (4 x RS232 ports)	770-EXTRS1-000G
• LPC EXT-RS485 module (4 x RS485 ports)	770-EXTRS1-100G
• DP to HDMI Dongle	612-D2H13M-000G