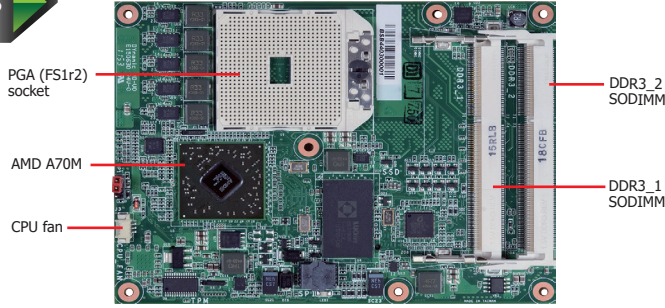




CM901-B

R-Series

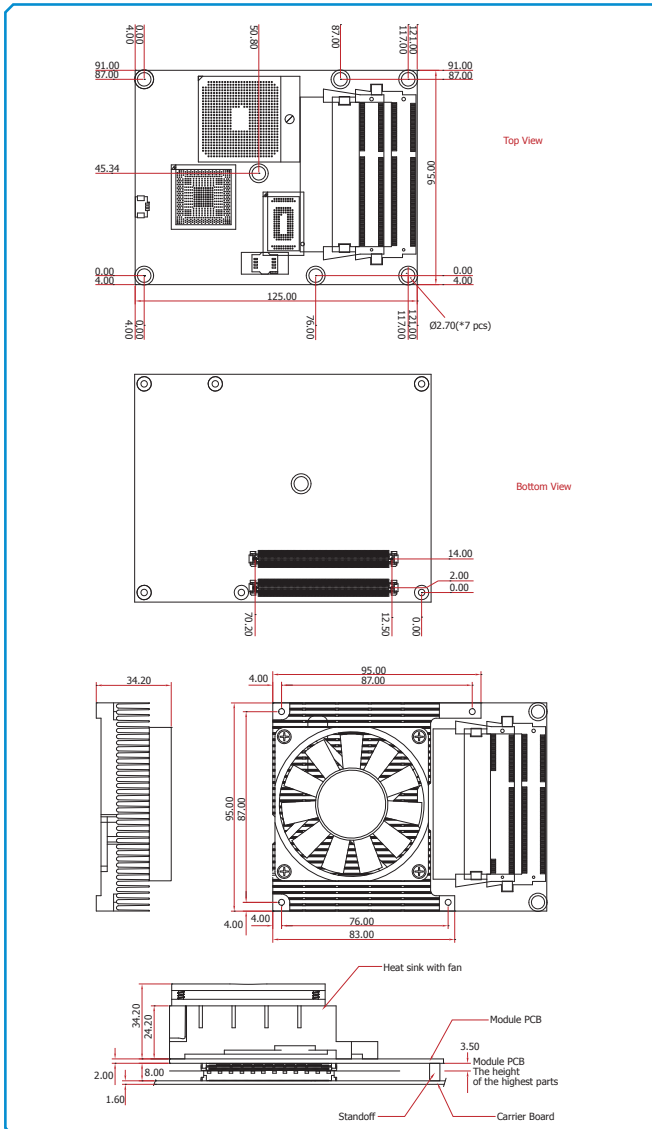


Features

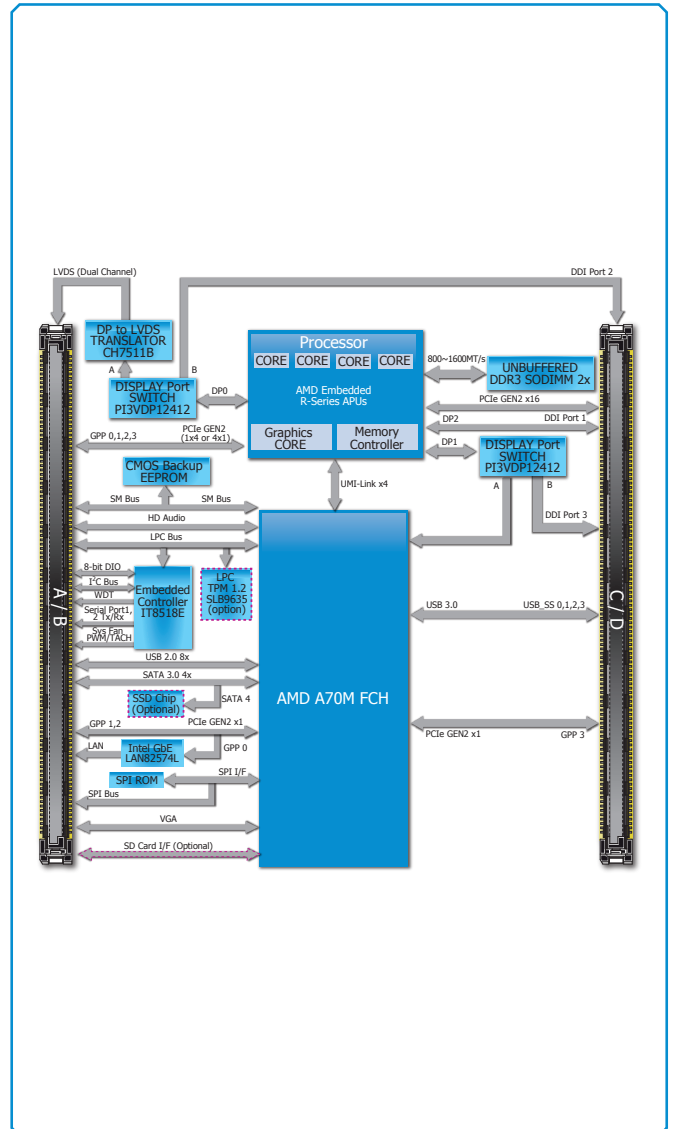
MEMORY	2 DDR3 SODIMM up to 16GB
EXPANSION	1 PCIe x16, 7 PCIe x1 1 LPC, 1 SMBus, 1 I ² C, 2 serial 3 Independent Displays DP, DP/LVDS, DP/VGA 8 USB: 4 USB 3.0/2.0, 4 USB 2.0 4 SATA 3.0 8-bit DIO
LAN	1 LAN
DIMENSIONS	COM Express® R2.1 Basic, Type 6 95mm x 125mm (3.74" x 4.9")



Mechanical Drawing



Block Diagram



CM901-B

► Specifications * Optional and is not supported in standard model. Please contact your sales representative for more information.

APU

- AMD® Embedded R-Series APUs
 - : R-464L Quad-core 2.3GHz, 35W
 - : R-460H Quad-core 1.9GHz, 35W
 - : R-272F Dual-core 2.7GHz, 35W
 - : R-268D Dual-core 2.5GHz, 35W
- PGA (FS1r2) socket
- 32nm process technology

CHIPSET

- AMD® A70M Fusion Controller Hub

SYSTEM MEMORY

- Two 204-pin DDR3 SODIMM sockets
- Supports DDR3 (1.5V), LVDDR3(1.35V), ULVDDR3 (1.25V) up to 1600MHz
- Supports dual channel memory interface
- Supports up to 16GB system memory
- DRAM device technologies: 1Gb, 2Gb, 4Gb and 8Gb DDR3 DRAM technologies are supported for x8 and x16 devices, unbuffered, non-ECC

ONBOARD GRAPHICS FEATURES

- Supports DP, DP/LVDS and DP/VGA interfaces
- VGA: resolution up to 1920x1600 @ 60Hz
- LVDS: Single Channel - 18/24-bit; Dual Channel: 36/48-bit, resolution up to 1920x1200 @ 60 Hz
- DP: resolution up to 4096x2160 @ 30Hz

ONBOARD AUDIO FEATURES

- Supports High Definition Audio interface

ONBOARD LAN FEATURES

- Intel® 82574L Gigabit Ethernet controller
- Integrated 10/100/1000 transceiver
- Fully compliant with IEEE 802.3, IEEE 802.3u, IEEE 802.3ab

SERIAL ATA (SATA) INTERFACE

- Supports 4 Serial ATA interfaces
- 4 SATA 3.0 with data transfer rate up to 6Gb/s
- Integrated Advanced Host Controller Interface (AHCI) controller
- Supports RAID 0/1

SSD*

- 4GB/8GB/16GB/32GB
- Write: 30MB/sec (max), Read: 70MB/sec (max)
- SATA to SSD onboard

USB INTERFACE

- XHCI Host Controller supports up to 4 super speed USB 3.0 ports

WATCHDOG TIMER

- Watchdog timeout programmable via software from 1 to 255 seconds

TRUSTED PLATFORM MODULE (TPM)*

- Provides a Trusted PC for secure transactions
- Provides software license protection, enforcement and password protection

EXPANSION INTERFACES

- Supports 8 USB 2.0 ports (first 4 USB ports support up to USB 3.0)
- Supports 1 PCIe x16 interface
- Supports 7 PCIe x1 interfaces (the first 4 PCIe x1 can be configured to support PCIe x4)
- Supports LPC interface
- Supports SMBus interface
- Supports I²C interface
- Supports 2 serial interfaces (TX/RX)
- Supports 8-bit Digital I/O (4 In, 4 Out)

DAMAGE FREE INTELLIGENCE

- Monitors APU temperature
- Monitors APU fan speed
- Monitors APU_VDD/APU_VDDNB/APU_VDDIO_SUS/1V2/1V1 voltages
- Watchdog timer function

BIOS

- 32Mbit SPI BIOS

POWER CONSUMPTION

- 31.12 W with R-464L at 2.3GHz and 2x 1GB DDR3 SODIMM

OS SUPPORT

- Windows XP Professional x86 & SP3 (32-bit)
- Windows 7 Ultimate x86 & SP1 (32-bit)
- Windows 7 Ultimate x64 & SP1 (64-bit)
- Windows 8 Enterprise x86 (32-bit)
- Windows 8 Enterprise x64 (64-bit)

TEMPERATURE

- Operating: 0°C to 60°C
- Storage: -40°C to 85°C

HUMIDITY

- 10% to 90%

POWER

- Input: 12V, 5VSB (optional), VCC_RTC

PCB

- Dimensions
 - COM Express® Basic
 - 95mm (3.74") x 125mm (4.9")
- Compliance
 - PICMG COM Express® R2.1, Type 6

CERTIFICATION

- CE
- FCC Class B
- RoHS

► Ordering Information

Model Name	Part Number	Description
CM901-B	777-CM9011-000G	AMD® Embedded R-Series APUs

► Packing List

- 1 CM901-B board

► Optional Items

- COM331-B carrier board kit
- COM101-BAT carrier board kit
- Heat spreader: TBD
- Heat spreader with heat sink and fan: TBD
- Heat sink with fan: TBD