



KS070-AL

Atom

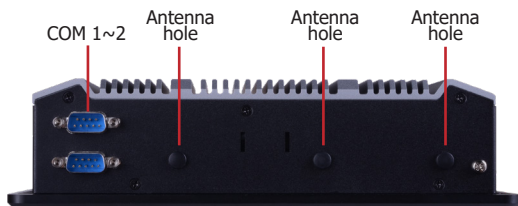


Features

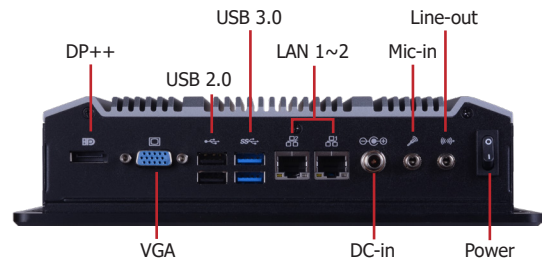
- 7" 800x480 TFT LCD panel with touch screen
- 1x CFast socket for storage
- IP65 front panel protection
- Dual displays: VGA + DP++
- Rich I/O: 2 LAN, 2 COM, 2 USB 3.0, 2 USB 2.0



Panel

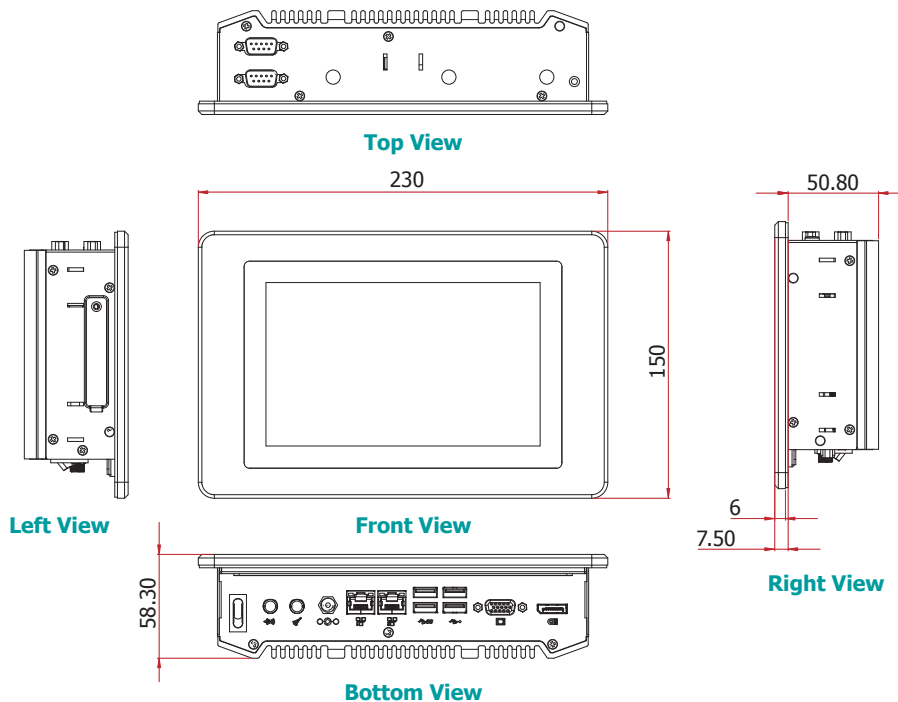


Top View



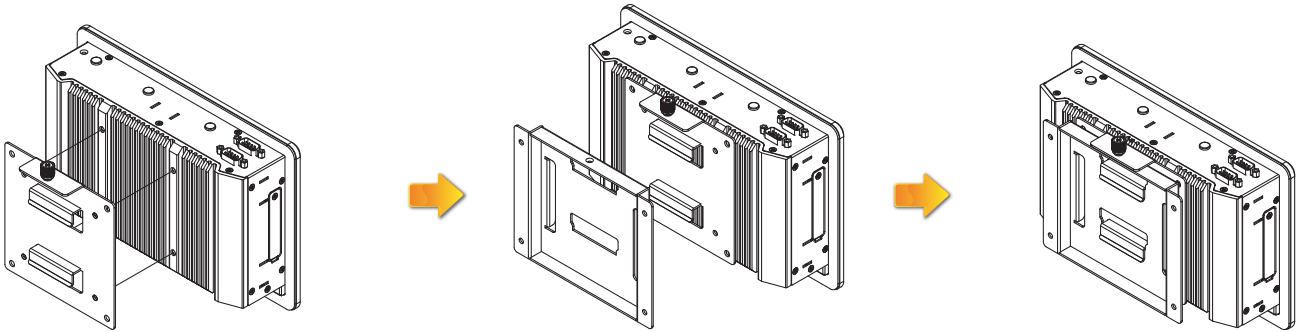
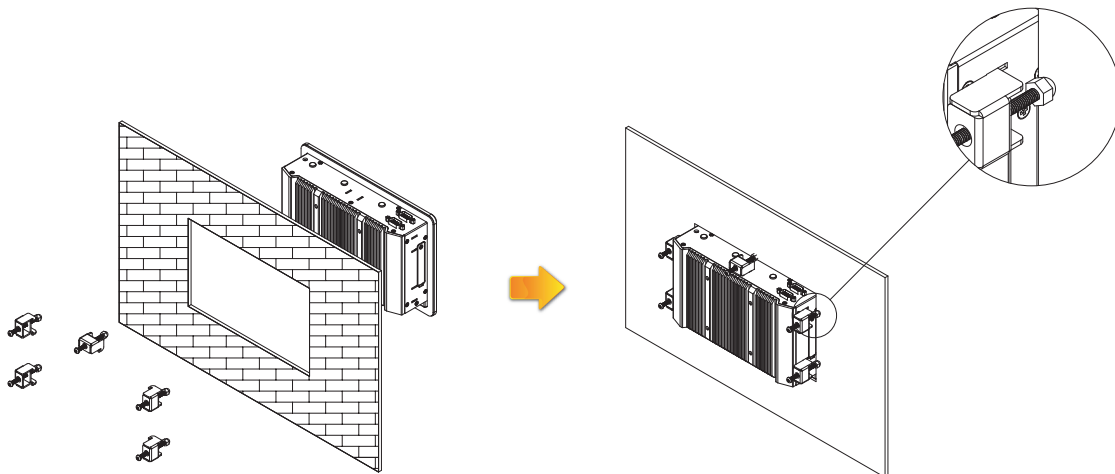
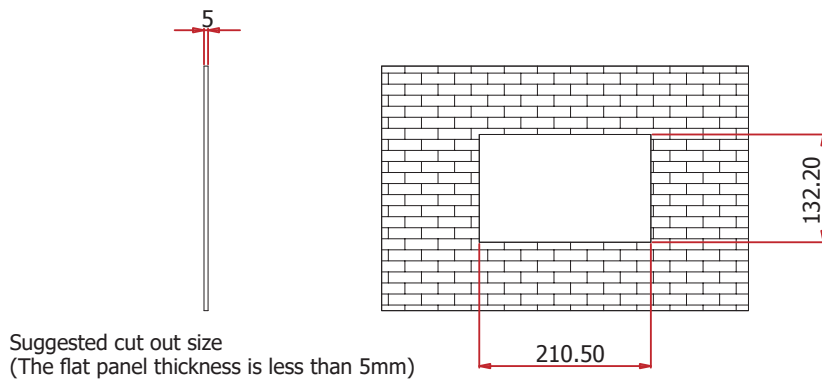
Bottom View

Dimensions



► Specifications

SYSTEM	Processor	Intel Atom® Processor E3900 Series, BGA 1296 Intel Atom® x5-E3940 Processor, Quad Core, 2M Cache, 1.6GHz (1.8GHz), 9.5W Intel® Celeron® Processor N3350, Dual Core, 2M Cache, 1.1GHz (2.4GHz), 6W
	Memory	One 204-pin SODIMM up to 8GB Single Channel DDR3L 1866MHz (4GB memory by default)
	BIOS	Insyde SPI 128Mbit (supports UEFI boot only)
DISPLAY AND TOUCH SCREEN	Display	7" 800x480 TFT LCD Panel with Capacitive/Resistive Touch Screen
	Brightness	500 cd/m ²
	Contrast	400:1
	Backlight Lifetime	50,000 hours
GRAPHICS	Controller	Intel® HD Graphics
	Feature	OpenGL 4.2, Direct X 11.1, OpenCL 1.2, OGL ES 3.0 HW Decode: H.264, MPEG2, VC1, VP8, H.265, MPEG4 HW Encode: H.264, MPEG2, MPEG4
	Display	1 x VGA 1 x DP++ VGA: resolution up to 1920x1200 @ 60Hz DP++: resolution up to 4096x2160 @ 60Hz
	Dual Displays	VGA + DP++
STORAGE		1 x CFast Socket
EXPANSION	Interface	1 x Full-size Mini PCIe (USB/PCIe) 1 x M.2 2242 B-key (SATA 3.0/USB 2.0/PCIe Gen2 x2)
AUDIO	Audio Codec	Realtek ALC262
ETHERNET	Controller	2 x Intel® I211AT PCIe (10/100/1000Mbps)
TOP I/O	Serial	2 x RS-232/422/485 (DB-9)
	DIO	1 x 8-bit DIO (DB-9) (available upon request)
	Buttons	1 x Power Button
	Wi-Fi Antenna	3 x Wi-Fi Module Antenna Hole
BOTTOM I/O	Ethernet	2 x GbE (RJ-45) (10/100/1000Mbps)
	USB	2 x USB 3.0 (type A) 2 x USB 2.0 (type A)
	Display	1 x VGA 1 x DP++
	Audio	1 x Line-out 1 x Mic-in
WATCHDOG TIMER	Output & Interval	System Reset, Programmable via Software from 1 to 255 Seconds
POWER	Type	12V DC
	Connector	DC Jack
OS SUPPORT (UEFI ONLY)		Windows 10 IoT Enterprise 64-bit
MECHANISM	Construction	Sheet Metal
	IP Rating	IP65 Front Panel Protection
	Mounting	Panel/VESA Mount
	Dimensions (W x H x D)	230mm x 150mm x 58.3mm
	Weight	1.5kg
ENVIRONMENT	Operating Temperature	-20 to 55°C
	Storage Temperature	-30 to 80°C
	Relative Humidity	5 to 85% RH (non-condensing)
STANDARDS AND CERTIFICATIONS	Shock	OP: Half-sine, 3G @ 11ms Non-OP: Half-sine, 5G @ 11ms
		OP: Random, 1Grms @ 5~500Hz, 30min Non-OP: Sweep sine, 3Grms @ 10~500Hz, 30min
	Vibration	
	Certifications	TBD

▶ VESA Mounting**▶ Panel Mounting**

► Ordering Information

Model Name	Part Number	Description
KS070-ALE39P	750-KS0701-000G	7" Panel PC, Intel Atom® x5-E3940, 4GB Memory, Capacitive Touch
KS070-ALN33P	750-KS0701-100G	7" Panel PC, Intel® Celeron® Processor N3350, 4GB Memory, Capacitive Touch
KS070-ALN33R	750-KS0701-200G	7" Panel PC, Intel® Celeron® Processor N3350, 4GB Memory, Resistive Touch

► Optional Items

Optional Items	Part Number	Description
Wi-Fi	761-AP1235-000G	Wi-Fi kit, RoHS
Power Cord	785-PWRD	Power cord, Standards (USA/EUR/CH), 1.8m, RoHS
Power Adapter	671-106012-000G	60W, 12V/5A, Level 6, RoHS
Panel Mount	761-KS2020-000G	7" Panel PC Panel Mount Kit, RoHS

785-XXX is a group number instead of a unique part number. Please contact your regional sales representative if you need more information.

► Packing List

• 1 KS070-AL Touch Panel PC
• 1 Poron foam
• 1 Chassis Panel Mount Bracket
• 1 Quick Installation Guide
• 1 CD disk includes:
- Manual