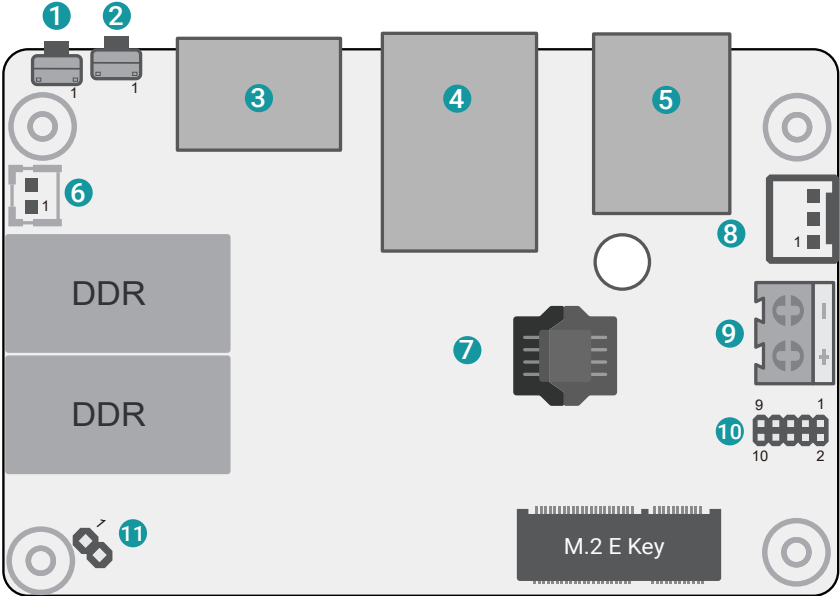


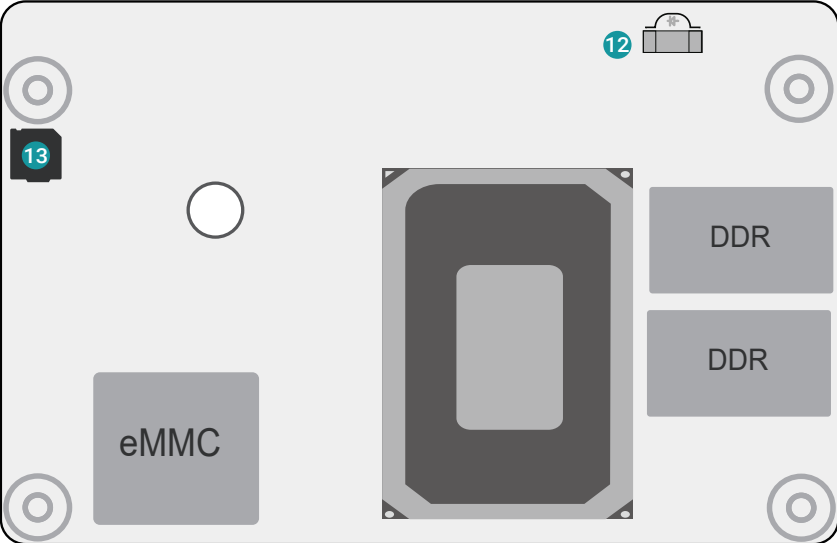
Board Layout

Top View



- | | | | |
|---|---------------|----|--------------------|
| 1 | Reset Button | 7 | SPI |
| 2 | Power Button | 8 | System Fan |
| 3 | HDMI | 9 | DC Power Connector |
| 4 | LAN | 10 | DIO Header |
| 5 | USB3.1 Type A | 11 | UART Debug |
| 6 | CMOS Battery | | |

Bottom View



- 12 Led Indicator
- 13 Buzzer

PIN Assignment

8 ▶ System Fan

Pin	Assignment
1	NC
2	12VSB
3	GND

9 ▶ DC Power Connector

Pin	Assignment
1	DC-IN
2	GND

10 ▶ DIO Header

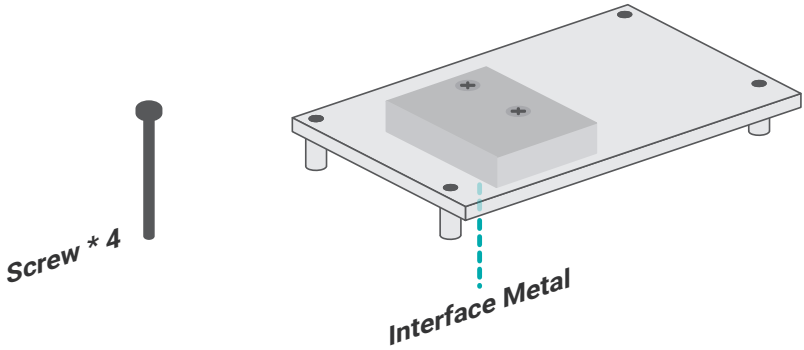
Pin	Assignment
1	GND
2	5VSB
3	DIO0
4	DIO1
5	DIO2
6	DIO3
7	DIO4
8	DIO5
9	DIO6
10	DIO7

11 ▶ UART Debug

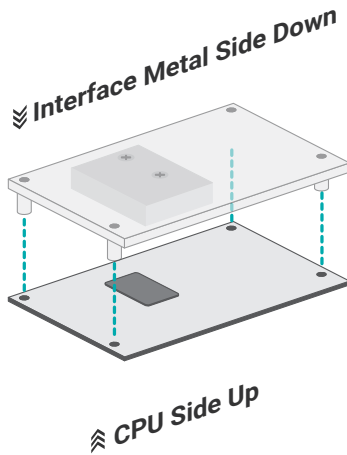
Pin	Assignment
1	GND
2	UART_TX

Assembly

A heat spreader is included in the standard package. The heat spreader and components required for mounting are illustrated below.



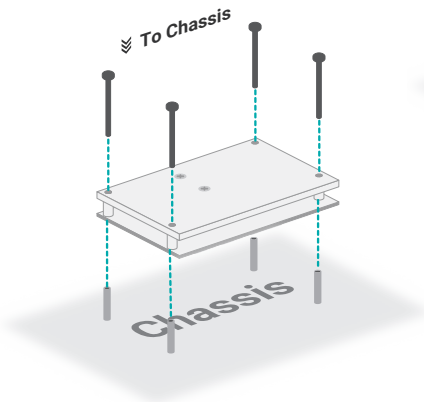
The heat spreader is designed to be mounted onto the module as illustrated below. Please make sure the contacting sides of the heat spreader and the module are correct – the CPU side of the module shall be facing the interface metal side and legs of the heat spreader. Rotate horizontally so the interface metal sits right on top of the CPU. Remove any plastic cover on the interface metal and apply thermal paste/adhesive if it is required.



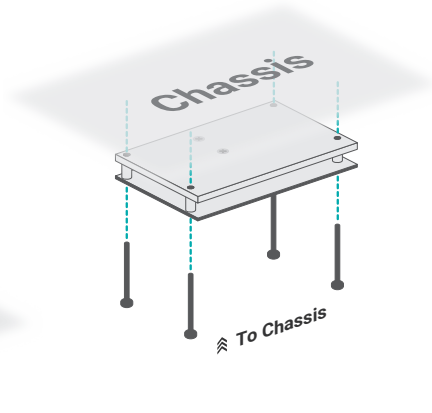
Rotate the module and heat spreader combo so that the I/O is facing the desired side, and place the combo in the position of the chassis reserved for your module.

Align the screw holes of the combo to those on the chassis. The combo can be mounted onto the chassis in two manners – 1) module side to the chassis, or 2) heat spreader side to the chassis as illustrated below. This shall depend entirely on the design of the chassis with regard to interior spacing, thermal, and I/O.

Place the screws that come with the standard package into the screw holes, and use a screw driver to fasten the screws until the combo is securely fixed onto the chassis.



Module side to chassis



Heat spreader side to chassis



DFI reserves the right to change the specifications at any time prior to the product's release. This QR may be based on the product's revision. For more documentation and drivers, please visit the download page at www.dfi.com/downloadcenter, or via the QR codes to the right.

