



# WM343-MB

Q77

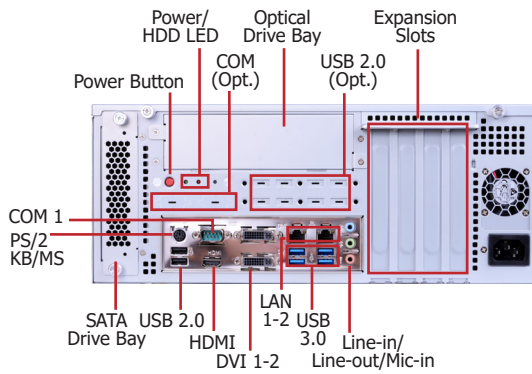


### ► Features

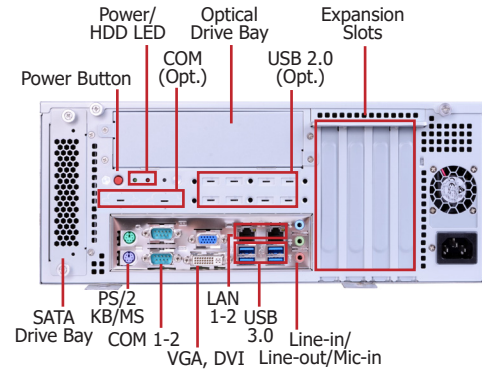
- 3rd/2nd Gen Intel Core Desktop/Wallmount Box IPC
- Up to 2x 3.5"/2.5" SATA drive bays
- 1x optical drive bay
- Supports 4 expansion slots: 1 PCIe x16, 1 PCIe x4, 2 PCI
- Designed for ATM application



### ► Panel

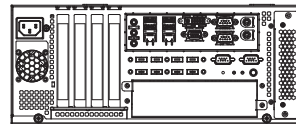


Rear View (MB330-CRM)

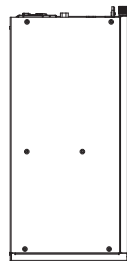


Rear View (MB331-CRM)

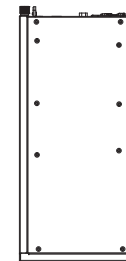
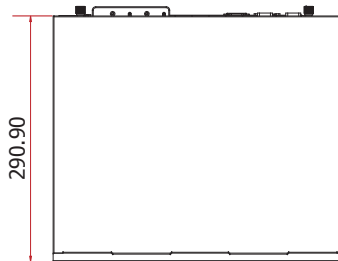
### ► Dimensions



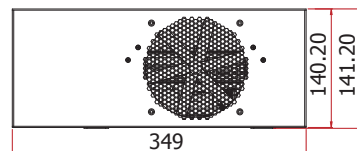
Rear View



Left View



Right View

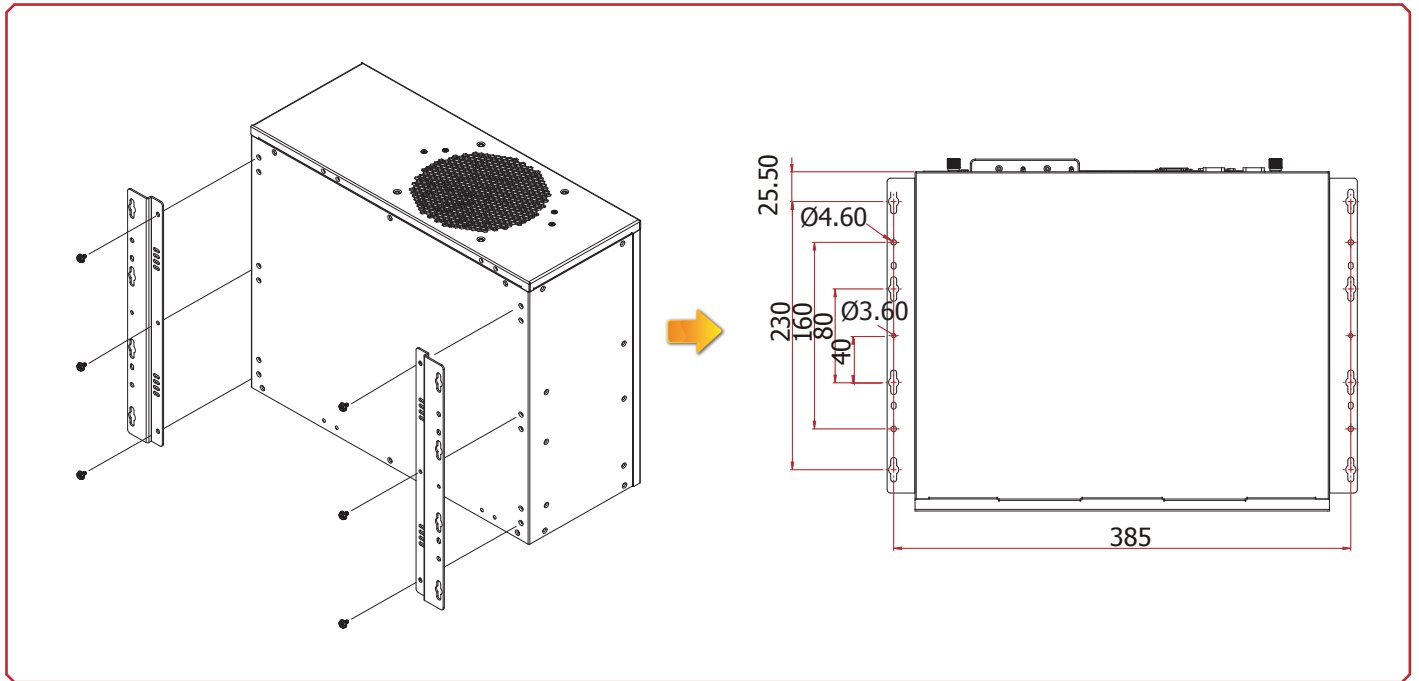


Front View

## ► Specifications

<b>SYSTEM</b>	<b>Processor</b>	LGA 1155 Socket 3rd Generation Intel® Core™ Processors Intel® Core™ i7-3770 Processor, 8M Cache, 3.4GHz (3.9GHz), 77W Intel® Core™ i5-3550S Processor, 6M Cache, 3GHz (3.7GHz), 65W Intel® Core™ i3-3220 Processor, 3M Cache, 3.3GHz, 55W Intel® Pentium® Processor G2120, 3M Cache, 3.1GHz, 55W Intel® Celeron® Processor G1620, 2M Cache, 2.7GHz, 55W 2nd Generation Intel® Core™ Processors Intel® Core™ i7-2600 Processor, 8M Cache, 3.4GHz (3.8GHz), 95W Intel® Core™ i5-2400 Processor, 6M Cache, 3.1GHz (3.4GHz), 95W Intel® Core™ i3-2120 Processor, 3M Cache, 3.3GHz, 65W Intel® Pentium® Processor G850, 3M Cache, 2.9GHz, 65W		
	<b>Memory</b>	Four 240-pin DIMM up to 32GB	Dual Channel DDR3 1333/1600MHz (3rd gen processors) Dual Channel DDR3 1066/1333MHz (2nd gen processors)	
	<b>BIOS</b>	AMI SPI 64Mbit		
<b>GRAPHICS</b>	<b>Controller</b>	Intel® HD Graphics 4000 (Core i7)	Intel® HD Graphics 2500 (Core i5/i3/Pentium)	
	<b>Feature</b>	Direct X 11, OGL 3.0		
	<b>Display</b>	MB330-CRM: 1 x DVI-I 1 x DVI-I (DVI-D signal) 1 x HDMI MB331-CRM: 1 x VGA 1 x DVI-I (DVI-D signal)	DVI, HDMI: resolution up to 1920x1200 @ 60Hz VGA: resolution up to 2048x1536 @ 75Hz, 32-bit	
	<b>Triple/Dual Displays</b>	MB330-CRM: DVI-I + DVI-I + HDMI	MB331-CRM: VGA + DVI-I	
<b>STORAGE</b>	<b>External</b>	1 or 2 x 3.5"/2.5" SATA 3.0 Drive Bays (1 x 3.5" SATA drive bay, by default) 1 x 5.25" Optical Drive Bay		
<b>EXPANSION</b>	<b>Interface</b>	1 x PCIe x16 (3rd gen processors support Gen 3) (2nd gen processors support Gen 2) 1 x PCIe x4 (Gen 2) 2 x PCI (PCI 2.3) 1 x Full-size Mini PCIe (PCIe/USB) (MB330-CRM only)		
<b>AUDIO</b>	<b>Audio Codec</b>	Realtek ALC886 5.1-channel		
<b>ETHERNET</b>	<b>Controller</b>	1 x Intel® WG82574L PCIe (10/100/1000Mbps) 1 x Intel® WG82579LM PCIe with iAMT8.0 (10/100/1000Mbps)		
<b>LED</b>	<b>Indicators</b>	1 x Power LED 1 x HDD LED		
<b>REAR I/O</b>	<b>Ethernet</b>	2 x GbE (RJ-45)		
	<b>Serial</b>	MB330-CRM: 1 x RS-232/422/485 (DB-9) 2 x RS-232 (DB-9) (available upon request)	MB331-CRM: 2 x RS-232/422/485 (DB-9) 2 x RS-232 (DB-9) (available upon request)	
	<b>USB</b>	MB330-CRM: 4 x USB 3.0 + 2 x USB 2.0 4 x USB 2.0 (available upon request)	MB331-CRM: 4 x USB 3.0 6 x USB 2.0 (available upon request)	
	<b>PS/2</b>	MB330-CRM: 1 x PS/2 (mini-DIN-6)	MB331-CRM: 2 x PS/2 (mini-DIN-6)	
	<b>Display</b>	MB330-CRM: 1 x DVI-I 1 x DVI-I (DVI-D signal) 1 x HDMI	MB331-CRM: 1 x VGA 1 x DVI-I (DVI-D signal)	
	<b>Audio</b>	1 x Line-out 1 x Line-in 1 x Mic-in		
	<b>Buttons</b>	1 x Power Button		
<b>COOLING</b>	<b>Fan</b>	1 x System Fan		
<b>WATCHDOG TIMER</b>	<b>Output &amp; Interval</b>	System Reset, Programmable via Software from 1 to 255 Seconds		
<b>POWER</b>	<b>Supply</b>	Flex ATX 250W		
<b>OS SUPPORT</b>		Windows 7	Windows 8	
<b>MECHANISM</b>	<b>Construction</b>	Sheet Metal		
	<b>Mounting</b>	Wall Mount		
	<b>Dimensions ( W x H x D )</b>	349mm x 140.2mm x 290.9mm (13.74" x 5.52" x 11.45")		
	<b>Weight</b>	8.94kg		
<b>ENVIRONMENT</b>	<b>Operating Temperature</b>	0 to 45°C		
	<b>Storage Temperature</b>	0 to 60°C		
	<b>Relative Humidity</b>	5 to 95% RH (non-condensing)		
<b>STANDARDS AND CERTIFICATIONS</b>	<b>Shock</b>	Operating: 3G	Non-operating: 5G	
	<b>Vibration</b>	Operating: Random 5~500Hz 0.5G	Non-operating: Sine 10~500Hz 1.5G	
	<b>Package Drop</b>	ISTA Project 1A		
	<b>Certification</b>	CE, FCC Class A, RoHS		

► Wall Mounting



### ► Ordering Information

Model Name	Part Number	Description
<b>WM343-MB</b>	750-WM3430-000G	ATM System, MB330-CRM, 2 LAN, 3 COM, 10 USB, 4 Expansion Slots, Flex ATX 250W, RoHS
<b>WM343-MB</b>	750-WM3430-100G	ATM System, MB331-CRM, 2 LAN, 4 COM, 10 USB, 4 Expansion Slots, Flex ATX 250W, RoHS

### ► Optional Items

Optional Items	Part Number	Description
<b>CPU</b>	785-CP1155DL	CPU, LGA1155, Long-Term Support, RoHS
<b>Memory</b>	785-RL0D38G-L	DIMM, DDR3L Module (supports dual voltage 1.5V DDR3/1.35V DDR3L), 8GB, RoHS
	785-RL0D34G-L	DIMM, DDR3L Module (supports dual voltage 1.5V DDR3/1.35V DDR3L), 4GB, RoHS
	785-RL0D32G	DIMM, DDR3 Module, 2GB, RoHS
<b>2.5" HDD/SSD Support</b>	531-510360-000G	One F3 x5 Copper Standoff, RoHS (note: one bay needs 4 pcs of standoff)
<b>HDD</b>	785-H351T0B	3.5" SATA HDD, 1TB, RoHS
	785-H35500G	3.5" SATA HDD, 500GB, RoHS
	785-H25500G	2.5" SATA HDD, 500GB, RoHS
	785-H25320G	2.5" SATA HDD, 320GB, RoHS
	785-S251TBG	2.5" SATA SSD, 1TB MLC, RoHS
	785-S25512G	2.5" SATA SSD, 512GB MLC, RoHS
	785-S25256G	2.5" SATA SSD, 256GB MLC, RoHS
	785-S25128G	2.5" SATA SSD, 128GB MLC, RoHS
	785-S25064G	2.5" SATA SSD, 64GB MLC, RoHS
<b>Power Cord</b>	785-PWRD	Power Cord, Standards (USA/EUR/CH), 1.8m, RoHS
<b>Wall Mount</b>	761-WM3410-000G	WM343/WM341 Wall Mount Kit, RoHS

### ► Packing List

• 1 WM343-MB System Unit
• 1 CPU cooler
• 1 SATA Data Cable (Length: 650mm)
• 4 HDD Screws
• 1 Quick Installation Guide
• 1 250W PSU
• 1 System Fan