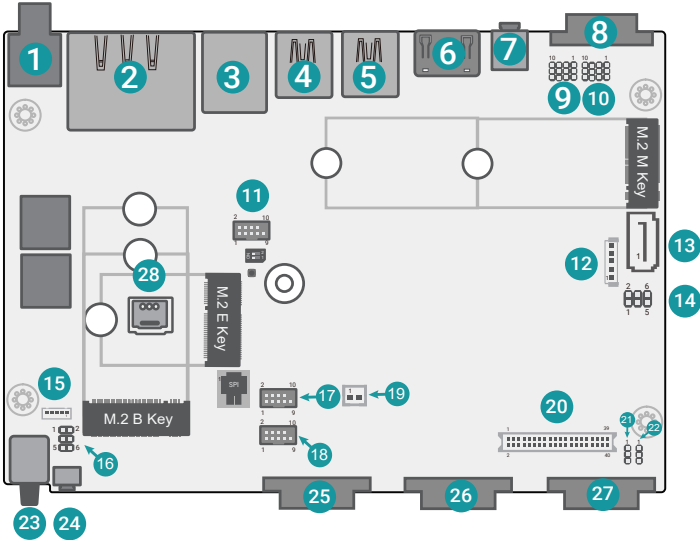
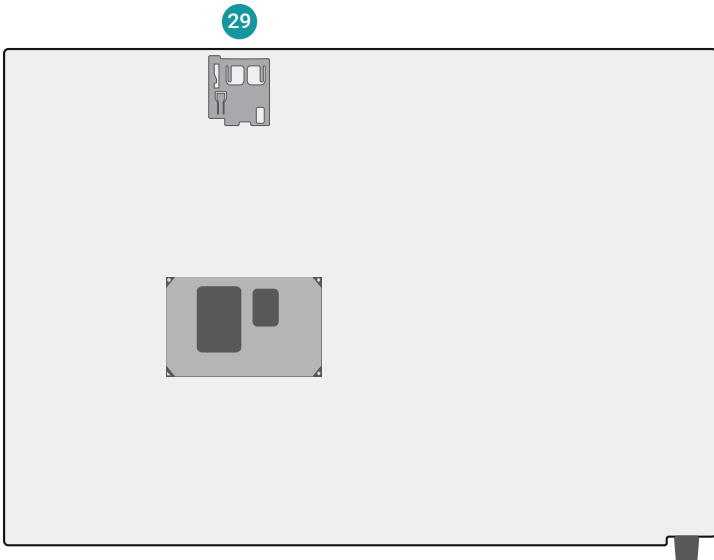


Board Layout

Top View



Bottom View



- 1 DC-in

- 2 2.5G LAN

- 3 LAN

- 4 ▲USB3.2
▼USB Type-C

- 5 USB3.2

- 6 HDMI

- 7 Audio

- 8 COM4/DIO

- 9 COM4/DIO Selection (JP2)

- 10 COM4/DIO Selection (JP1)

- 11 USB2.0 / Case Open

- 12 SATA Power

- 13 SATA

- 14 VCC_PANEL Selection

- 15 I2C Header

- 16 Front Panel

- 17 COM5

- 18 COM6

- 19 RTC Battery

- 20 eDP / LVDS

- 21 INV_PWR Selection

- 22 BL_ON_OFF Selection

- 23 Power Button

- 24 Reset Button

- 25 COM1

- 26 COM2

- 27 COM3

- 28 SIM Card Slot

- 29 MicroSD Card Slot

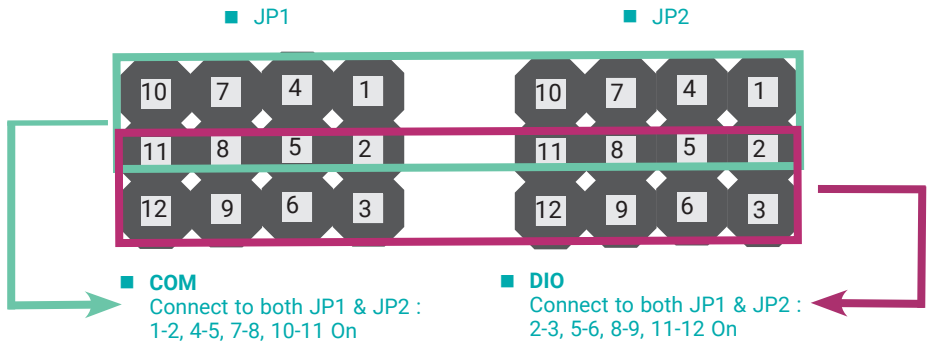
Jumper Settings

22 BL_ON_OFF Selection	DPJP1
3.3V	1-2 On
5V	2-3 On

21 INV_PWR Selection	DPJP2
12V	1-2 On
5V	2-3 On

14 VCC_PANEL Selection	DPJP3
12V	1-2 On
5V	3-4 On
3.3V	5-6 On

9 10 COM4/DIO Selection	JP1 & JP2
COM	Connect to both JP1 & JP2 : 1-2, 4-5, 7-8, 10-11 On
DIO	Connect to both JP1 & JP2 : 2-3, 5-6, 8-9, 11-12 On



PIN Assignment

15 ▶ I2C Header (J8)

Pin	Assignment
1	3V3
2	GND
3	I2C_SCL
4	I2C_SDA
5	I2C_INT

12 ▶ SATA Power (CN11)

Pin	Assignment
1	5V
2	5V
3	12V
4	GND
5	GND

16 ▶ Front Panel (JP4)

Pin	Assignment	Pin	Assignment
1	PWR_BTN	2	3V3
3	GND	4	SUS_LED#
5	SYS_RST	6	HD_LED#

11 ▶ USB2.0 / Case Open (J5)

Pin	Assignment	Pin	Assignment
1	NC	2	5V
3	NC	4	USB2_N
5	NC	6	USB2_P
7	GND	8	GND
9	CASEOPEN-	10	NC

17 ► COM5 (TSJ1)

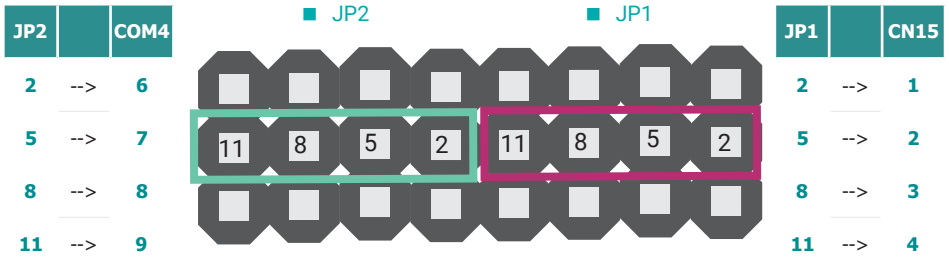
Pin	Assignment	Pin	Assignment
1	MDCD-	2	MSIN-
3	MSO-	4	MDTR-
5	GND	6	MDSR-
7	MRTS-	8	MCTS-
9	MRI-	10	NC

18 ► COM6 (TSJ2)

Pin	Assignment	Pin	Assignment
1	MDCD-	2	MSIN-
3	MSO-	4	MDTR-
5	GND	6	MDSR-
7	MRTS-	8	MCTS-
9	MRI-	10	NC

9 10 ► DB9-COM4 Pins Customization (JP1 & JP2)

Connect to JP1 (pin 2, ,5, 8, 11) & JP2 (pin 2, ,5, 8, 11) if there is internal signal communication request via DB9-COM4 connector without I/O shield changed.



20 ► eDP / LVDS (DPCN2)

Pin	Assignment	Pin	Assignment
1	LVDS_A_LANE3_P	2	LVDS_B_LANE3_P
3	LVDS_A_LANE3_N	4	LVDS_B_LANE3_N
5	GND	6	GND
7	LVDS_A_LANE2_P	8	LVDS_B_LANE2_P
9	LVDS_A_LANE2_N	10	LVDS_B_LANE2_N
11	GND	12	GND
13	LVDS_A_LANE1_P	14	LVDS_B_LANE1_P / eDP_LANE1_P
15	LVDS_A_LANE1_N	16	LVDS_B_LANE1_N / eDP_LANE1_N
17	GND	18	GND
19	LVDS_A_LANE0_P	20	LVDS_B_LANE0_P / eDP_LANE0_P
21	LVDS_A_LANE0_N	22	LVDS_B_LANE0_N / eDP_LANE0_N
23	GND	24	GND
25	LVDS_A_CLK_P	26	LVDS_B_CLK_P / eDP_CLK_P
27	LVDS_A_CLK_N	28	LVDS_B_CLK_N / eDP_CLK_P
29	GND	30	GND
31	LVDS_DDC_CLK	32	eDP_HPD
33	LVDS_DDC_DATA	34	BL_ON_OFF
35	GND	36	LVDS_3V3 (1A)
37	INV_PWR (5V/12V, 2A)	38	DIMMING
39		40	PANEL_PWR (3.3V/5V/12V, 1A)



DFI reserves the right to change the specifications at any time prior to the product's release. This QR may be based on the product's revision. For more documentation and drivers, please visit the download page at www.dfi.com/downloadcenter, or via the QR codes to the right.

