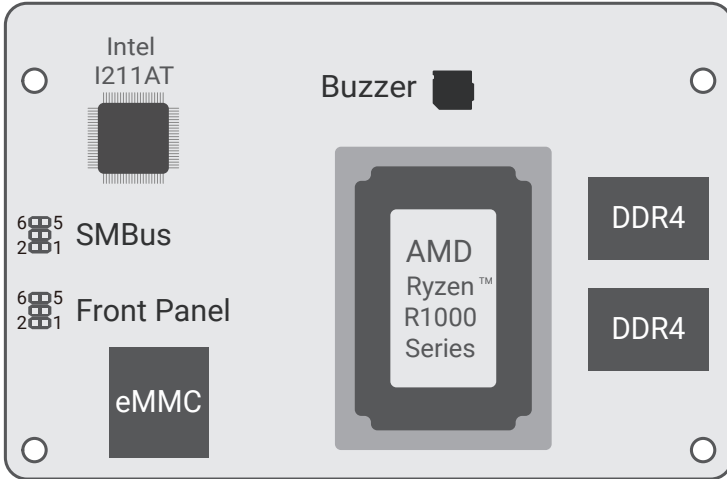
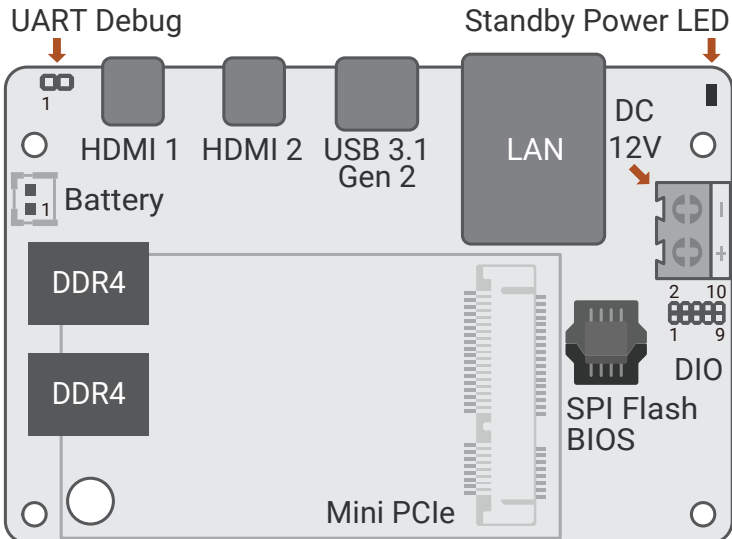


Board Layout

Top View



Bottom View



Pin Assignments

SMBus

Pin	Assignment	Pin	Assignment
1	N.C.	2	SMBus_Alert
3	SMBus_DATA	4	SMBus_Clock
5	GND	6	3V3SB

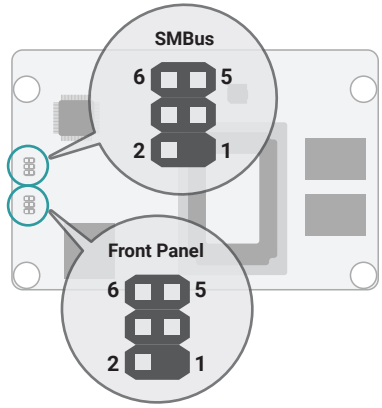
Front Panel

Pin	Assignment	Pin	Assignment
1	N.C.	2	Reset
3	Power LED	4	GND
5	PWR LED 3V3SB	6	Power Button

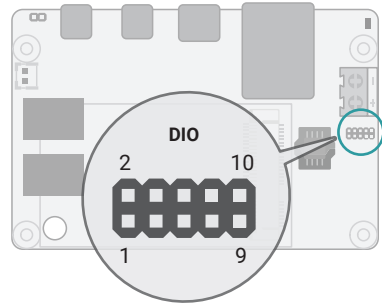
Digital I/O (DIO)

Pin	Assignment	Pin	Assignment
1	GND	2	5VSB
3	DIO_0	4	DIO_1
5	DIO_2	6	DIO_3
7	DIO_4	8	DIO_5
9	DIO_6	10	DIO_7

Top View ≡

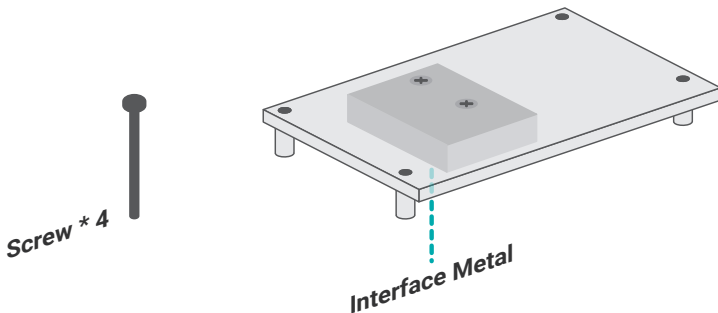


Bottom View ≡

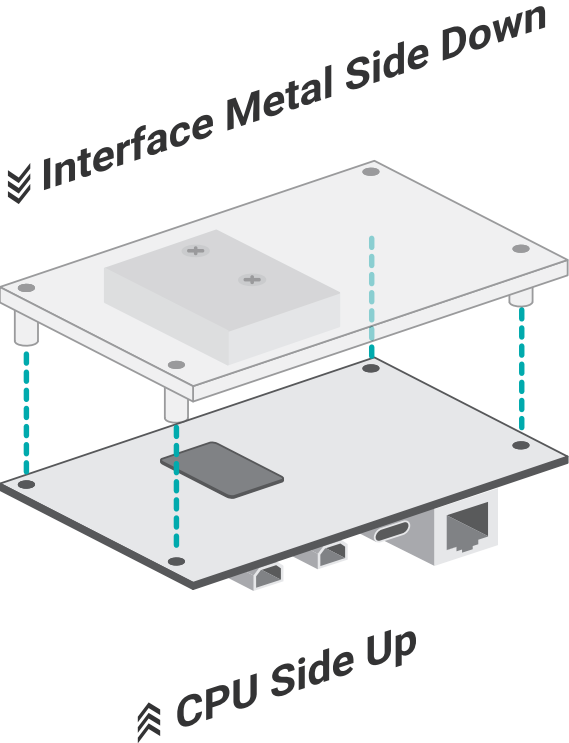


Assembly

A heat spreader is included in the standard package. The heat spreader and components required for mounting are illustrated below.



The heat spreader is designed to be mounted onto the module as illustrated below. Please make sure the contacting sides of the heat spreader and the module are correct – the CPU side of the module shall be facing the interface metal side and legs of the heat spreader. Rotate horizontally so the interface metal sits right on top of the CPU. Remove any plastic cover on the interface metal and apply thermal paste/adhesive if it is required.

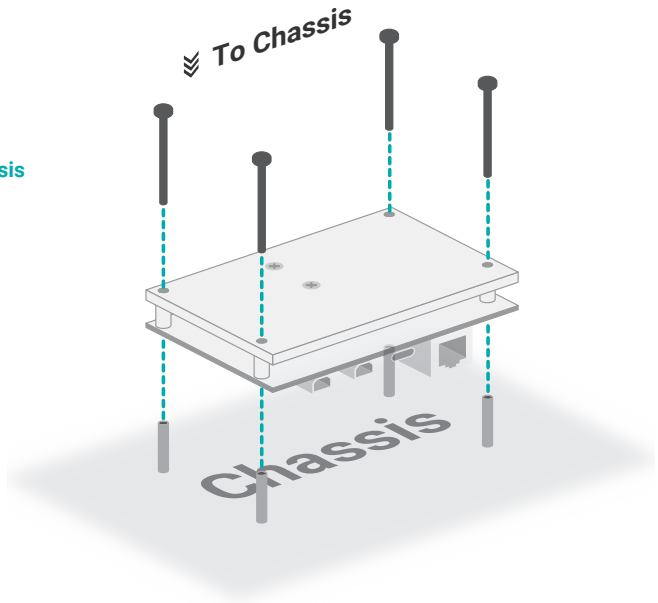


Rotate the module and heat spreader combo so that the I/O is facing the desired side, and place the combo in the position of the chassis reserved for your module.

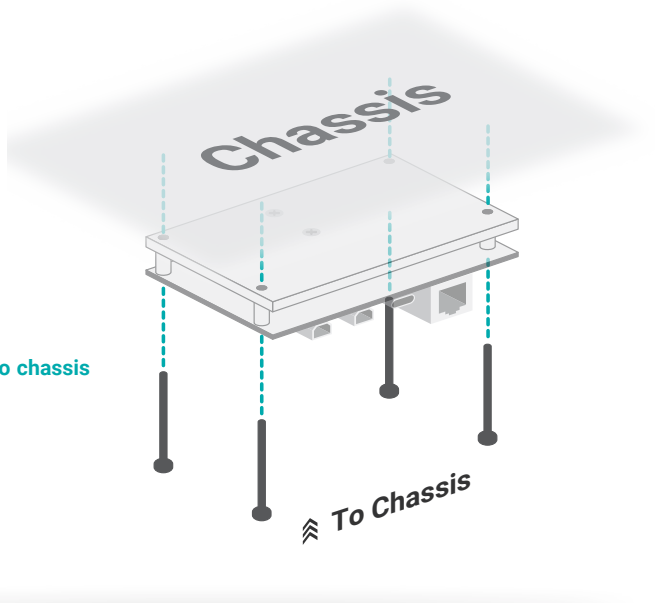
Align the screw holes of the combo to those on the chassis. The combo can be mounted onto the chassis in two manners – 1) module side to the chassis, or 2) heat spreader side to the chassis as illustrated below. This shall depend entirely on the design of the chassis with regard to interior spacing, thermal, and I/O.

Place the screws that come with the standard package into the screw holes, and use a screw driver to fasten the screws until the combo is securely fixed onto the chassis.

■ Module side to chassis



■ Heat spreader side to chassis



DFI reserves the right to change the specifications at any time prior to the product's release. This QR may be based on editions that do not resemble your actual products. For more documentation and drivers, please visit the download page at go.dfi.com/GHF51, or via the QR code to the right.

