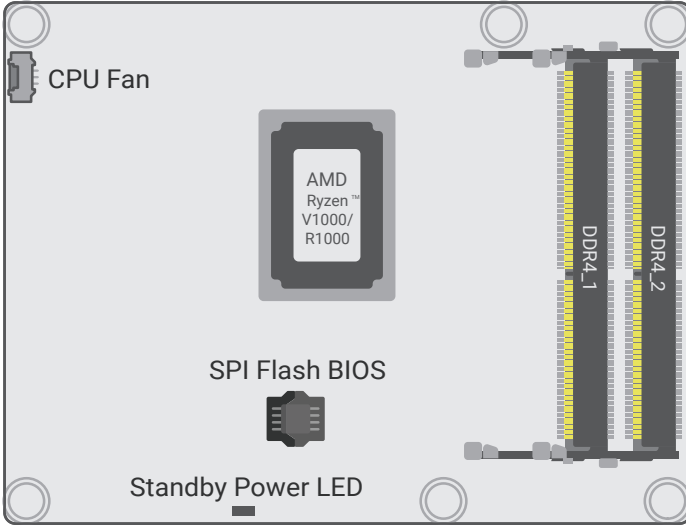
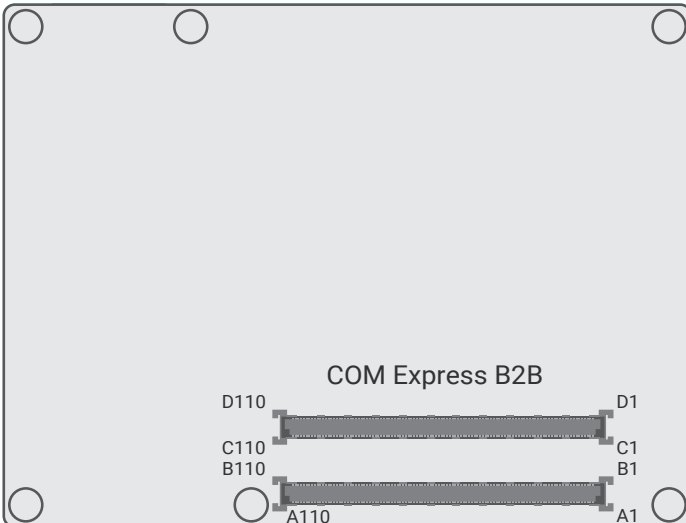


Board Layout

Top View



Bottom View

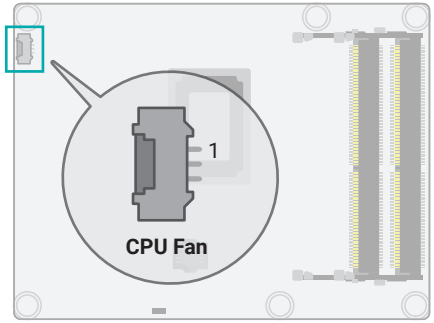


Pin Assignments

CPU Fan

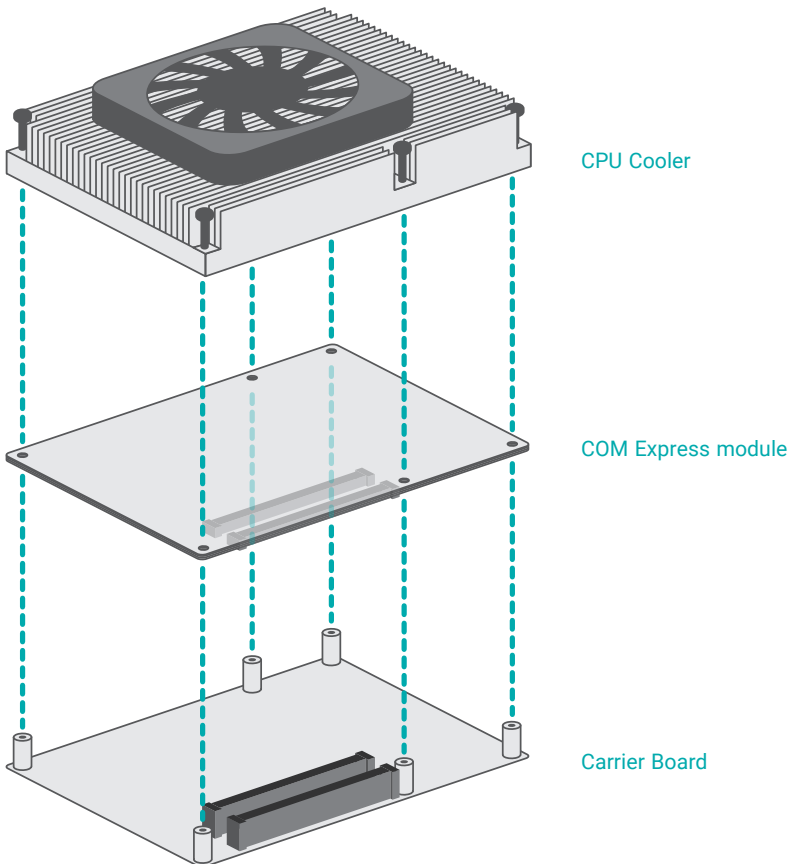
Pin Assignment

- 1 Ground
- 2 Power
- 3 Sense



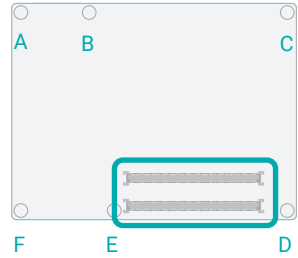
Assembly

A CPU cooler is included in the standard package. The CPU cooler contains six spring screws and shall be installed after the COM Express module is securely mounted onto the carrier board. Please make sure the cooler, the module, and the carrier board are oriented correctly by inspecting whether the screws, screw holes, and stand-offs all align.

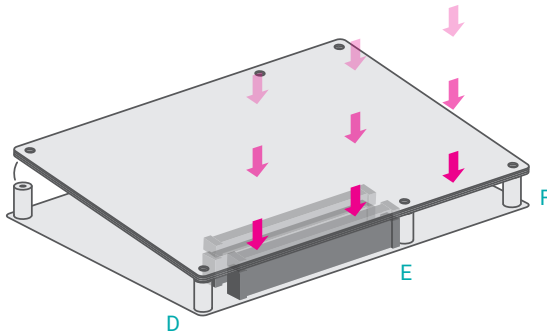


1. Locate the COM Express board-to-board connectors on the bottom side of the module and the carrier board. Locate the mounting holes (A-F) on the module and the corresponding stand-offs on the carrier board.

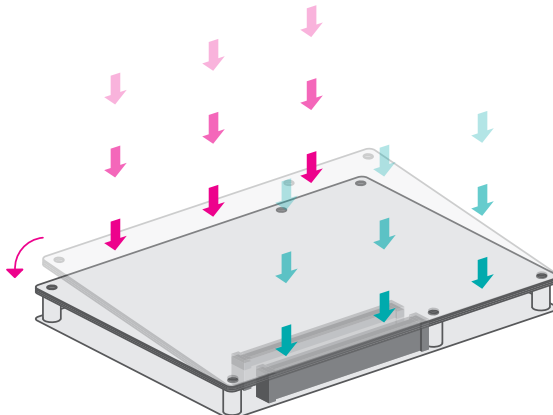
Bottom View >>>



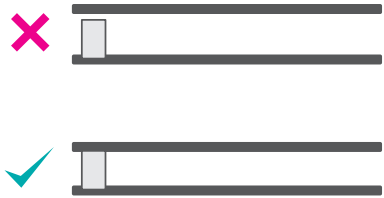
2. Place the module on the carrier board while making sure the mounting holes and connectors all align. At the long edge of the module closer to the connector, apply firm pressure onto the module and press it onto the carrier board until the three stand-offs and the edge of the module close up. The other edge of the module away from the connector may still remain slightly aloft from the stand-offs at this moment.



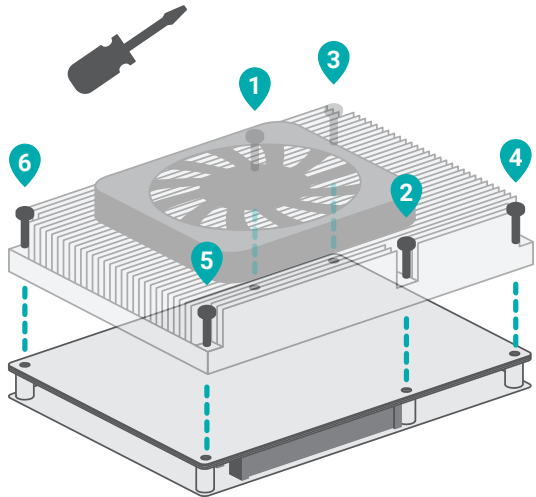
3. At the long edge away from the connector, apply firm pressure with another hand onto the module and press it onto the carrier board until the module is against the remaining three stand-offs. Please also maintain the pressure described in the previous step the whole time.



4. Inspect whether the gaps between the module and the stand-offs all close up. It is highly recommended that the module be removed and installed again following the previous steps when there is discernable gap.



5. Place the CPU cooler, i.e. heatsink and fan, onto the module while making sure the screws on the cooler align with the screw holes on the module. The thermal interface metals underneath the cooler should also sit directly on top of the CPU and PCH chipsets on the module. Use a screw driver to fasten the screws in the order as numbered below. By following the order, the risk of damaging the component is significantly reduced.



DFI reserves the right to change the specifications at any time prior to the product's release. This QR may be based on editions that do not resemble your actual products. For more documentation and drivers, please visit the download page at go.dfi.com/GH960, or via the QR code to the right.

