

NCT203

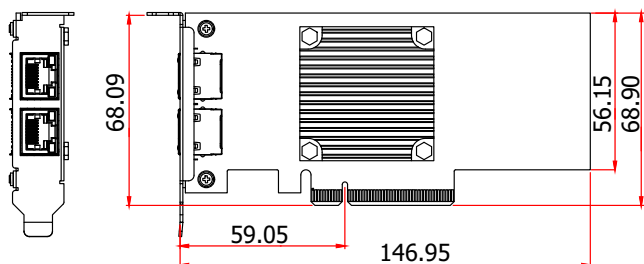
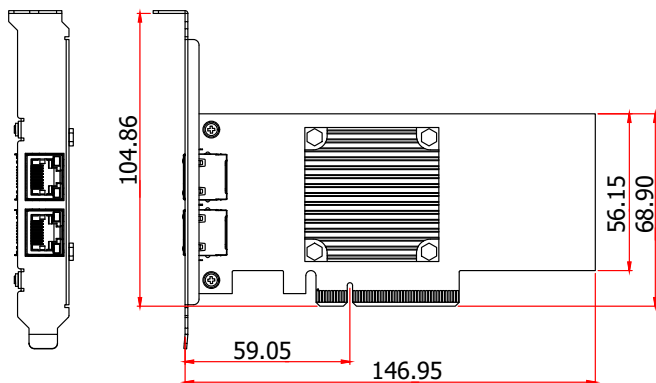
LAN Extension Module Card
Peripheral



KEY FEATURES

- 1 x Intel® XL710-AT2
- 2 x 10G RJ45 Ports
- Support VMDq, SR-IOV

MECHANICAL DRAWING



SPECIFICATION

CONTROLLER	Intel® XL710-AT2
I/O CONNECTORS	2 x 10GbE RJ45
FEATURES	Support VMDq, SR-IOV
MECHANICAL DESIGN	146.95 x 68.90mm
TEMPERATURE	Operating: 0 to 45°C Storage: 0 to 70°C
HUMIDITY	Operating: 20% to 90% non-condensing Storage: 5% to 95% non-condensing
FORM FACTOR	PCIe x8
REGULATION	CE, FCC class A
COMPATIBILITY	Windows, Linux, FreeBSD

