

WM343-MB Installation Guide

Package Contents

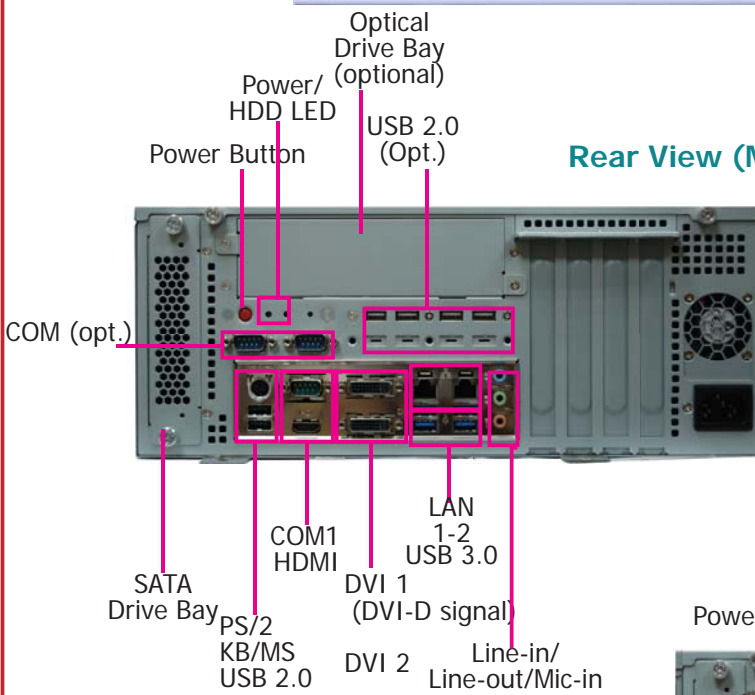
• 1 WM343-MB system unit
• 1 SATA data cable (Length: 650mm)
• 4 HDD screws
• 1 Quick Installation Guide
• 1 CD disk includes:
- Drivers / Manual

Panel

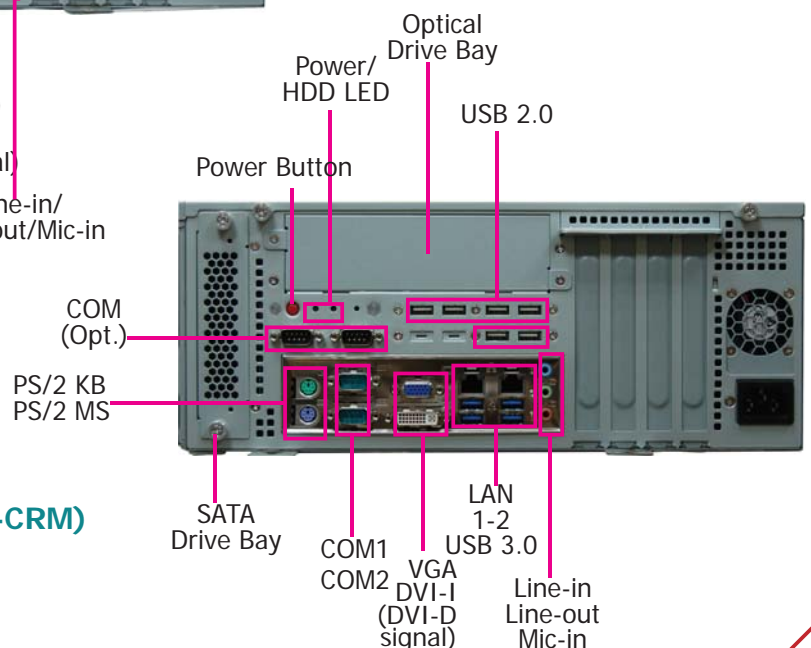
Front View



Rear View (MB330-CRM)



Rear View (MB331-CRM)



DFI reserves the right to change the specifications at any time prior to the product's release. For the latest revision and for a more details of the installation process, please refer to the user's manual on the website.



Installing a 2.5" or 3.5" SATA Drive

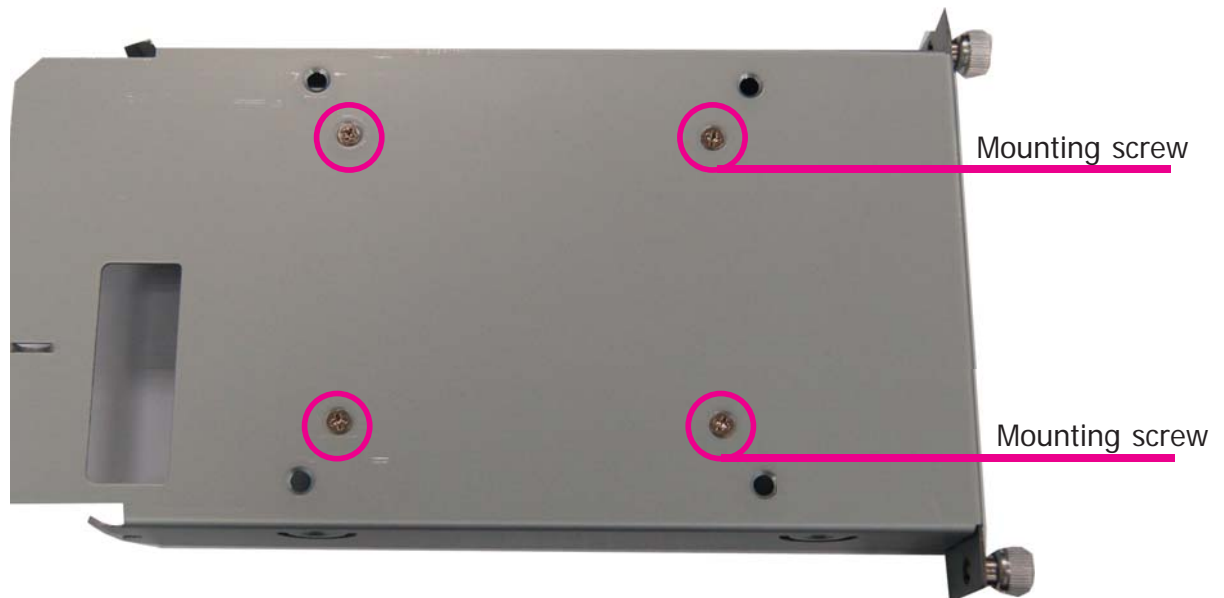
1. Remove the thumb screws that secure the drive bay to the chassis and then remove the drive bay.



2. Secure the hard drive to the drive bay. Align the mounting holes of the SATA drive and the mounting holes on the HDD brackets. Use 4 mounting screws to install the hard drive onto the drive bay.

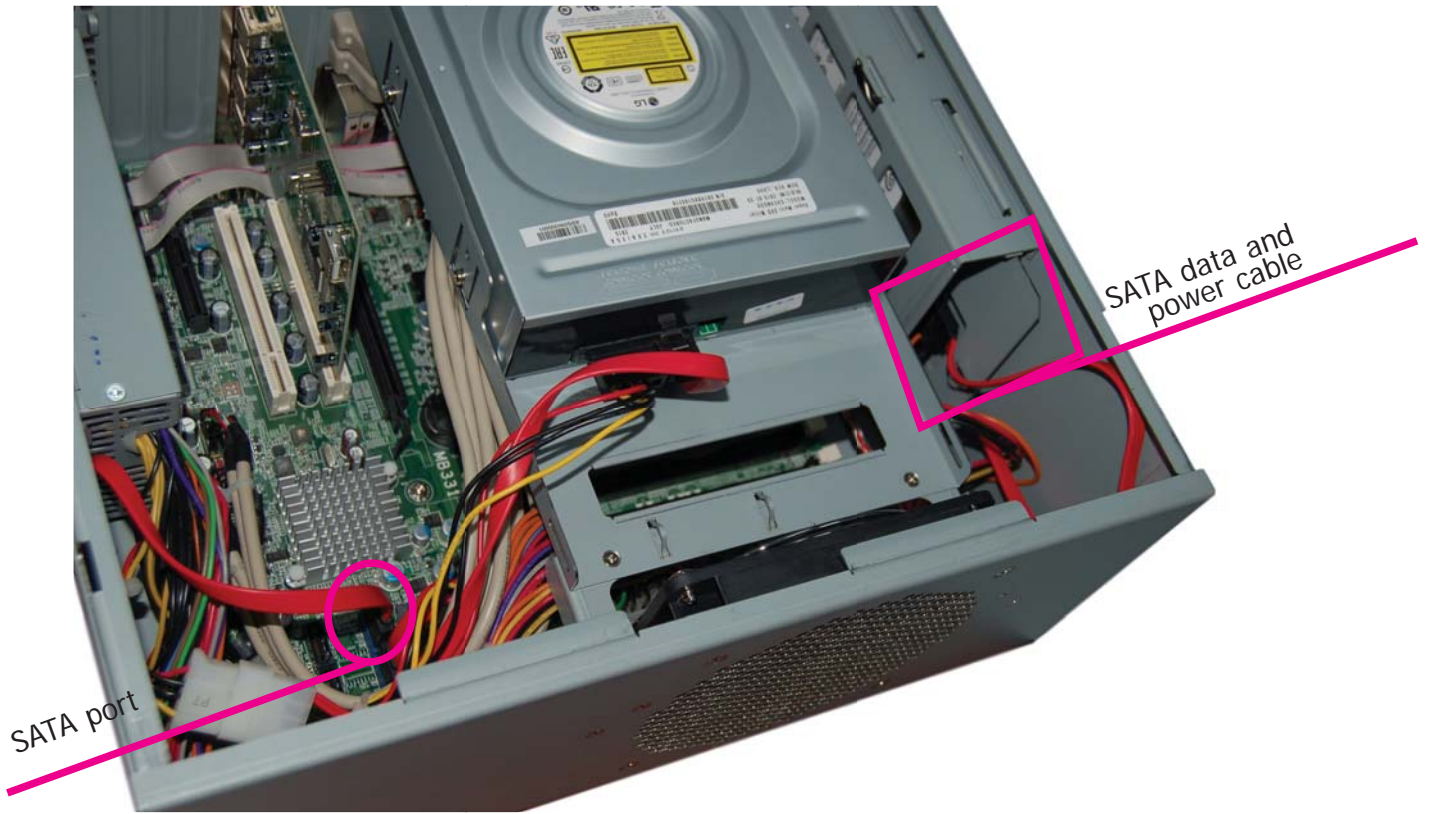


2. Use the same drive bay to secure a 2.5" hard disk to the system. Refer to the pictures below for the location of mounting screws.



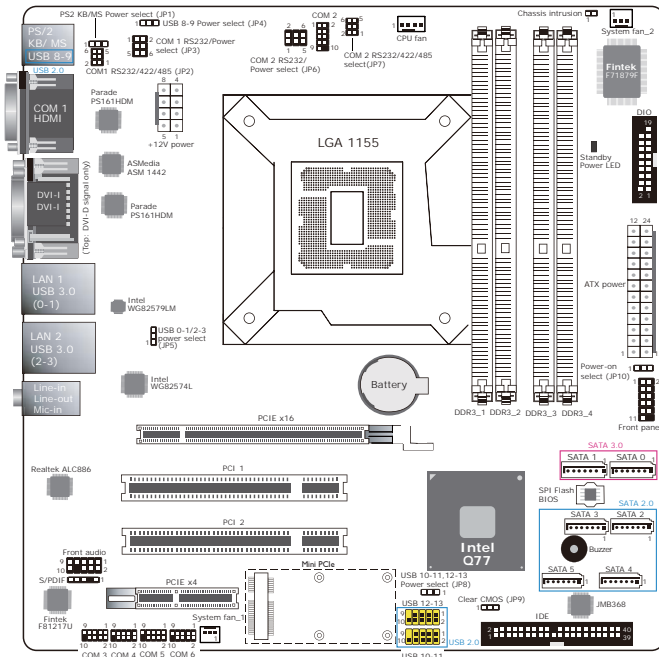
2.5" SATA Drive

3. Slide the HDD drive back to the system.
4. Connect the SATA data cable and SATA power cable to the connectors on the SATA drive.

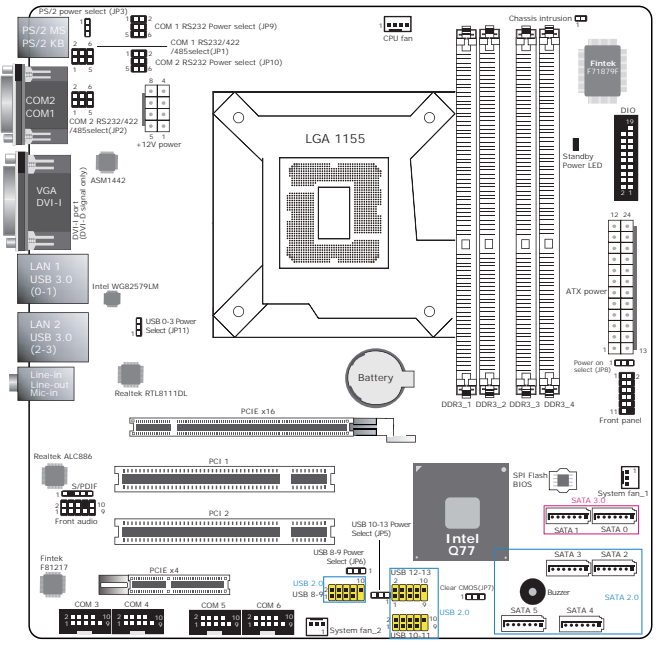




Board Layout and Jumper Settings



MB330-CRM



MB331-CRM

Clear CMOS	JP9
Normal (default)	1-2 On
Clear CMOS	2-3 On

Clear CMOS	JP7
Normal (default)	1-2 On
Clear CMOS	2-3 On

PS/2 Keyboard/Mouse Power Select	JP1
+5V (default)	1-2 On
+5V standby	2-3 On

PS/2 Keyboard/Mouse Power Select	JP3
+5V (default)	1-2 On
+5V standby	2-3 On

USB Power Select:	
USB 0~3 (JP5), USB 8~9 (JP4), USB 10~13 (JP8)	
+5V (default)	1-2 On
+5V_standby	2-3 On

USB Power Select:	
USB 0~3 (JP11), USB 8~9 (JP6), USB 10~13 (JP5)	
+5V (default)	1-2 On
+5V_standby	2-3 On

Power-on Select	JP10
Power-on via power button	1-2 On
Power-on via AC power or via WOL after G3 state	2-3 On

Power-on Select	JP8
Power-on via power button	1-2 On
Power-on via AC power or via WOL after G3 state	2-3 On

RS232/RS422/RS485 Select :	
COM1 (JP2), COM2 (JP7)	
RS232 (default)	1-2 On
RS422 Full Duplex	3-4 On
RS485	5-6 On

RS232/RS422/RS485 Select :	
COM1 (JP1), COM2 (JP2)	
RS232 (default)	1-2 On
RS422 Full Duplex	3-4 On
RS485	5-6 On

RS232 Power Select:	
COM1 (JP3), COM2 (JP6)	
RS232 (default)	1-3 (RI), 2-4 (DCD) On
RS232 with power	3-5 (+5V), 4-6 (+12V) On

RS232 Power Select:	
COM1 (JP9), COM2 (JP10)	
RS232 (default)	1-3 (RI), 2-4 (DCD) On
RS232 with power	3-5 (+5V), 4-6 (+12V) On