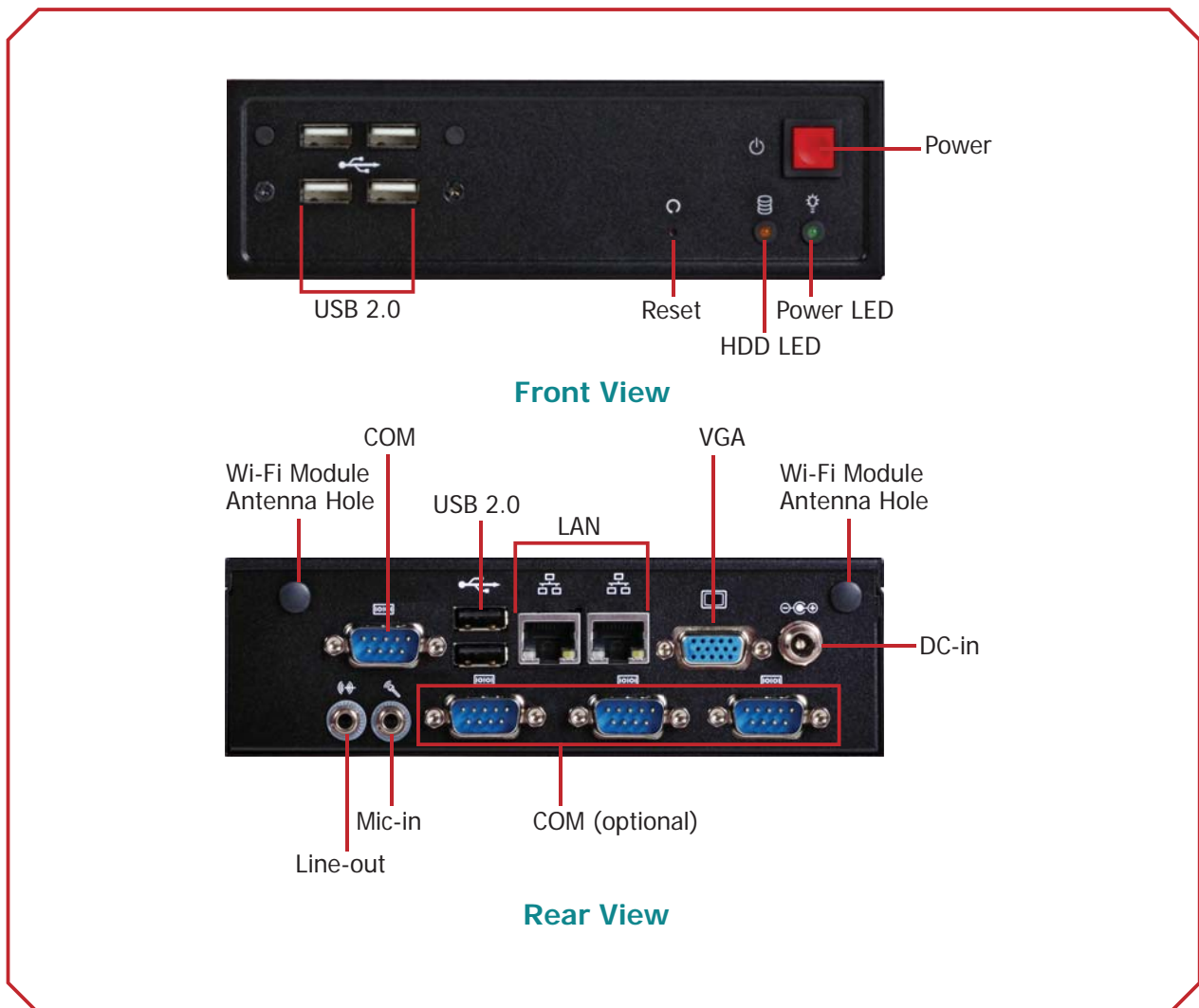


ES520-CD Installation Guide

Package Contents

• 1 ES520-CD system unit
• 1 Power adapter: 60W
• 1 Quick Installation Guide
• 1 CD disk includes:
- Drivers / Manual

Panel

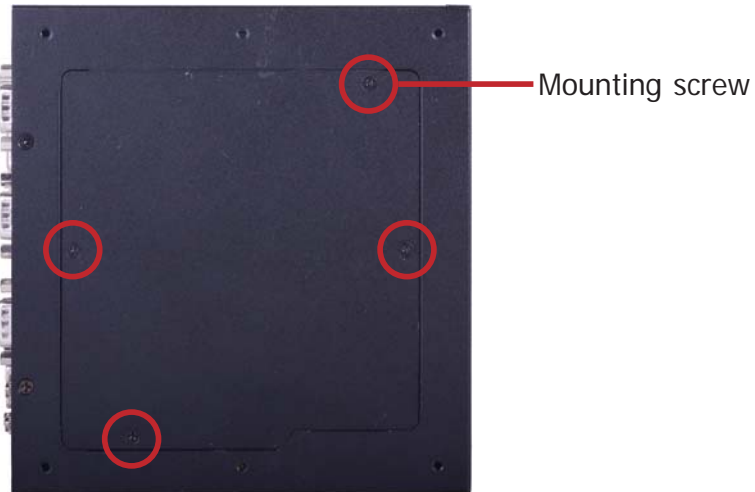


DFI reserves the right to change the specifications at any time prior to the product's release. For the latest revision and for a more details of the installation process, please refer to the user's manual on the website.

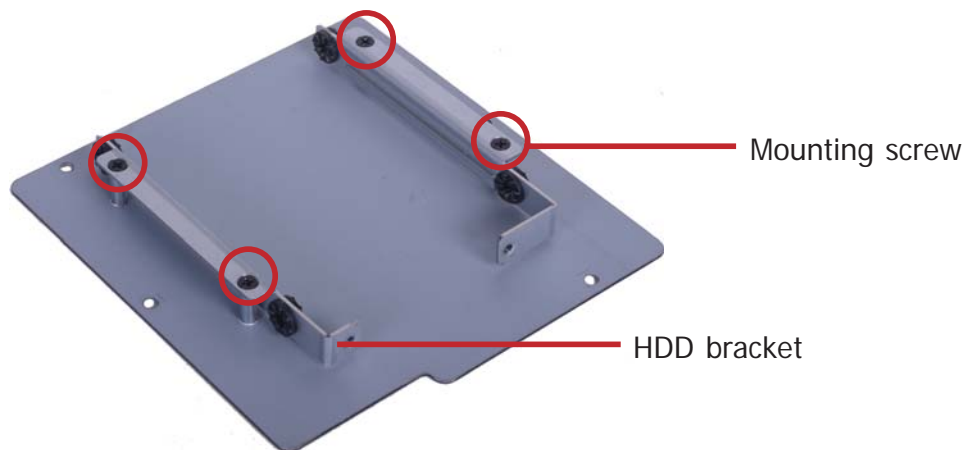


Installing a 2.5" SATA Drive

1. Remove the 4 mounting screws to open the cover on the bottom of the system.



2. Fasten the 4 mounting screws that secure the HDD brackets firmly to the system cover.



3. Align the mounting holes of the SATA drive with the mounting holes on the HDD brackets and then use the provided mounting screws to secure the drive in place.



Mounting screw

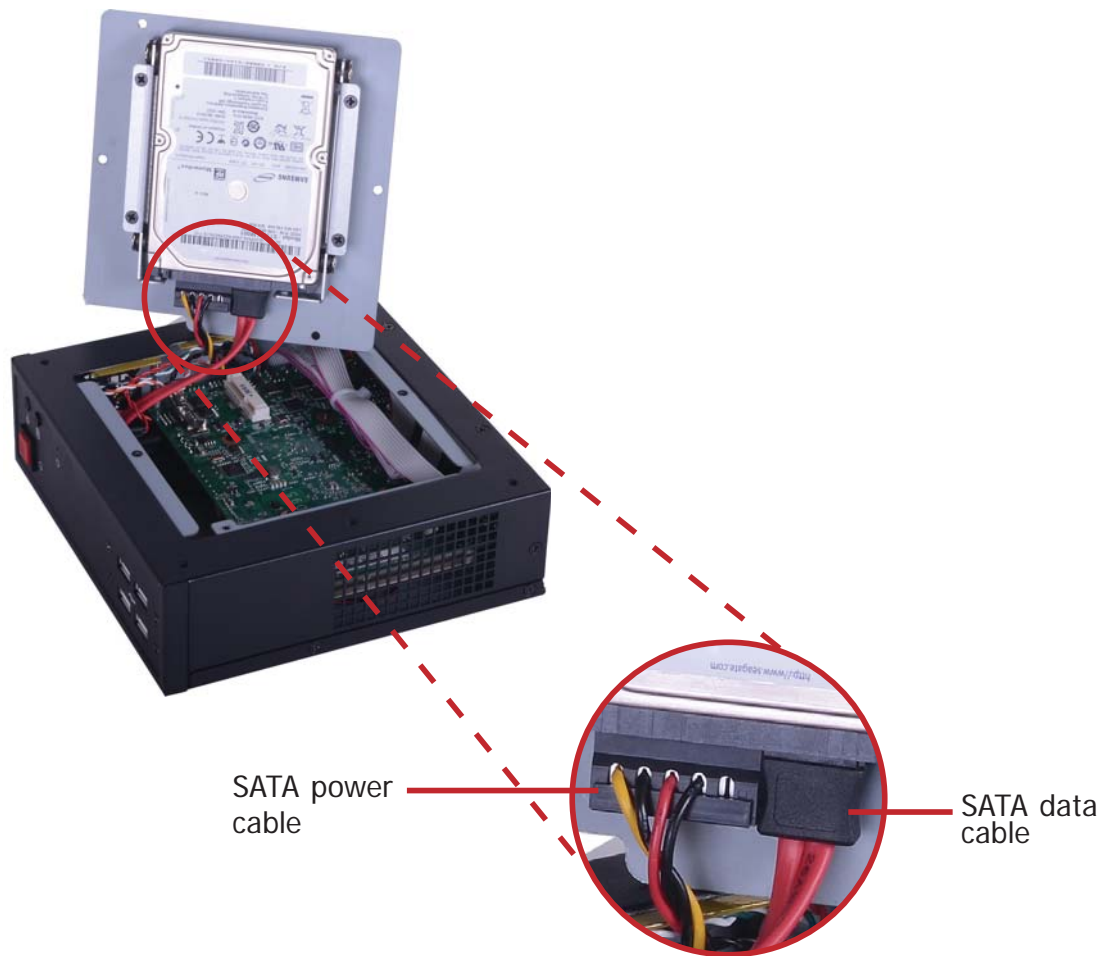


SATA drive

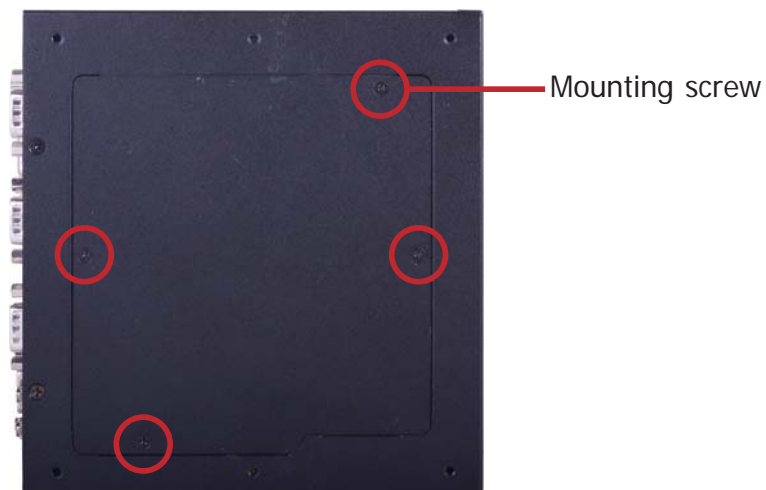
HDD bracket

Mounting screw

4. Connect the SATA data cable and the SATA power cable to the connectors on the SATA drive.

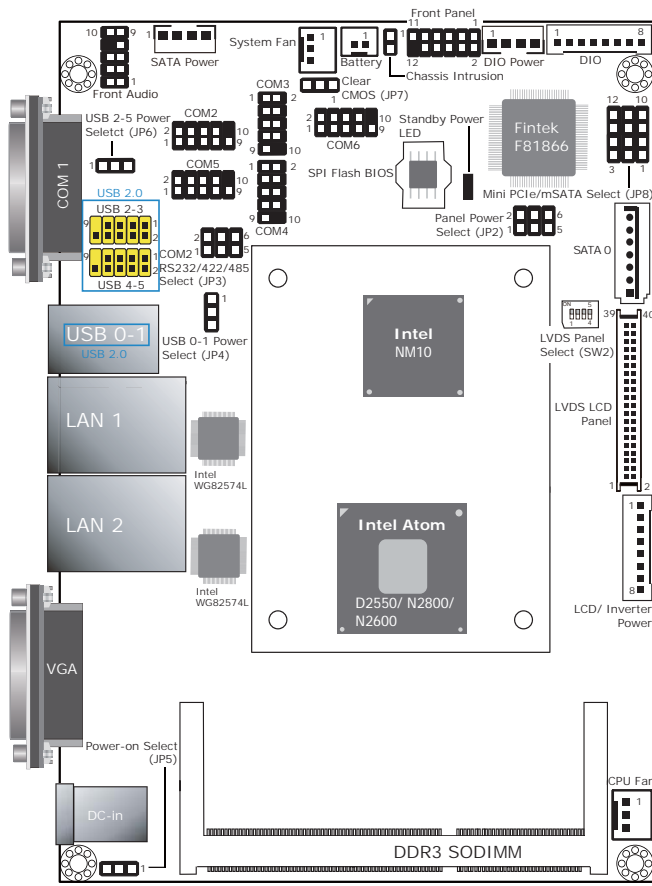


5. After completing steps above, fasten the cover with 4 mounting screws.

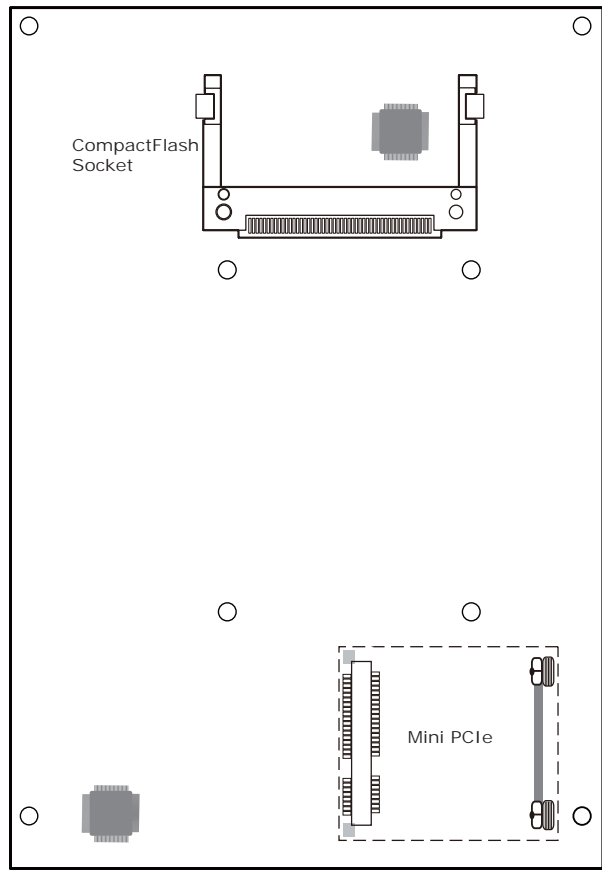




Board Layout and Jumper Settings



TOP



BOTTOM

Power-on Select	JP5
Power-on via power button (default)	1-2 On
Auto power-on	2-3 On

LVDS Panel Select	Channel	SW2	
800x600	6/18 bit	Single	1-4 On
1024x768	6/18 bit	Single	2-4 On, 1 Off
1024x768	8/24 bit	Single	1,3,4 On, 2 Off
1280X768	6/18 bit	Single	3-4 On, 1-2 Off
1280X800	6/18 bit	Single	1,2,4 On, 3 Off
1280X960	6/18 bit	Single	2,4 On, 1,3 Off
1280X1024	8/24 bit	Dual	1,4 On, 2,3 Off
1366X768	6/18 bit	Single	4 On, 1-3 Off
1366X768	8/24 bit	Single	1-3 On, 4 Off
1440X900	8/24 bit	Dual	2-3 On, 1,4 Off
1400X1050	8/24 bit	Dual	1,3 On, 2,4 Off
1600X900	8/24 bit	Dual	3 On, 1,2,4 Off
1680X1050	8/24 bit	Dual	1-2 On, 3-4 Off
1600X1200	8/24 bit	Dual	2 On, 1,3,4 Off
1920X1080	8/24 bit	Dual	1 On, 2-4 Off
1920X1200	8/24 bit	Dual	1-4 Off

Panel Power Select	JP2
+12V	1-2 On
+5V	3-4 On
+3.3V (default)	5-6 On

USB Power: 0-1 (JP4)/ 2-5 (JP6)	
+5V (default)	1-2 On
+5V_standby	2-3 On

Clear CMOS	JP7
Normal (default)	1-2 On
Clear CMOS	2-3 On

COM 2 RS232/RS422/RS485 Select	JP3
RS232 (default)	1-2 On
RS422 Full Duplex	3-4 On
RS485	5-6 On

Mini PCIe/mSATA Select	JP8
Mini PCIe (default)	1-4-7-10 On 2-5-8-11 On
mSATA	2-5-8-10 On 3-6-9-12 On