

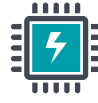
KS101P-IRN



10.1" Industrial Touch Panel PC



KEY FEATURES



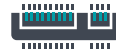
CPU Performance

Intel® Atom® N150 Processor, Quad Core
Intel® Core™ 3 Processor N355, Octa Core



Touch Type

Projected Capacitive Touch



Multiple Expansions

M.2 2242 M Key, M.2 3052 B Key,
M.2 2230 E Key

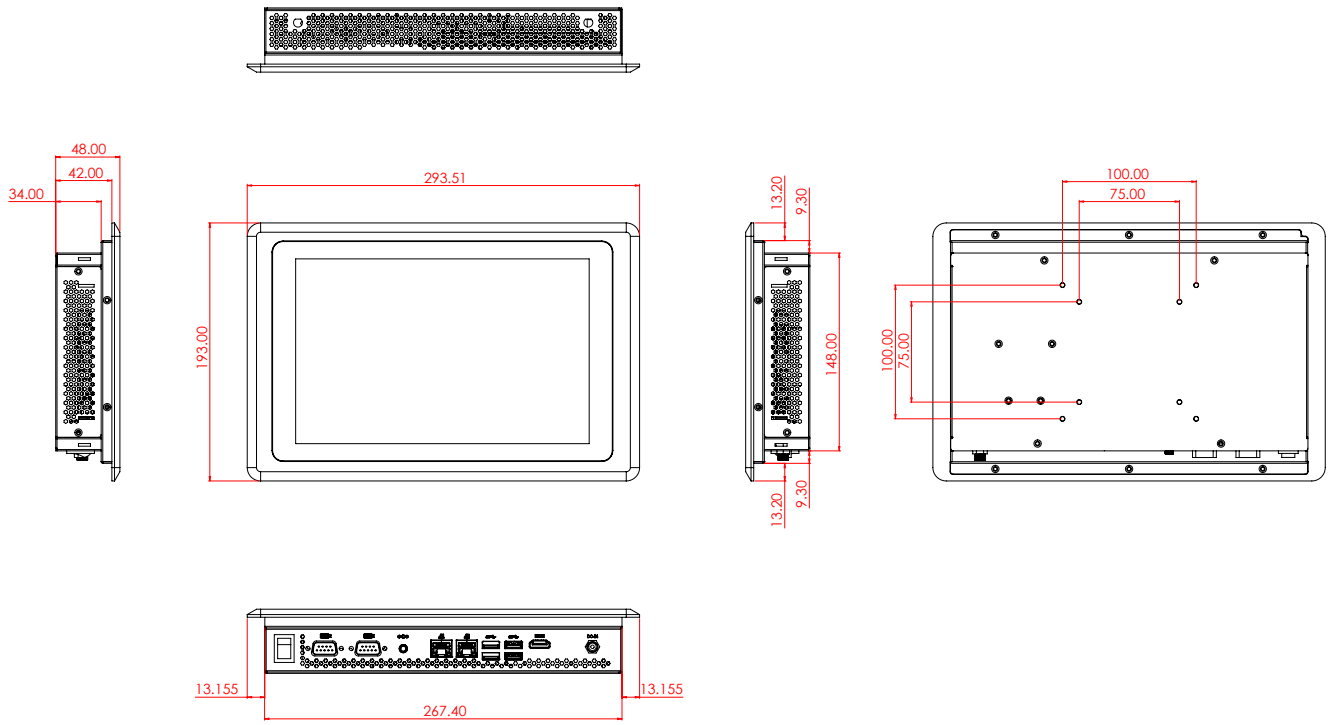


Wide Voltage

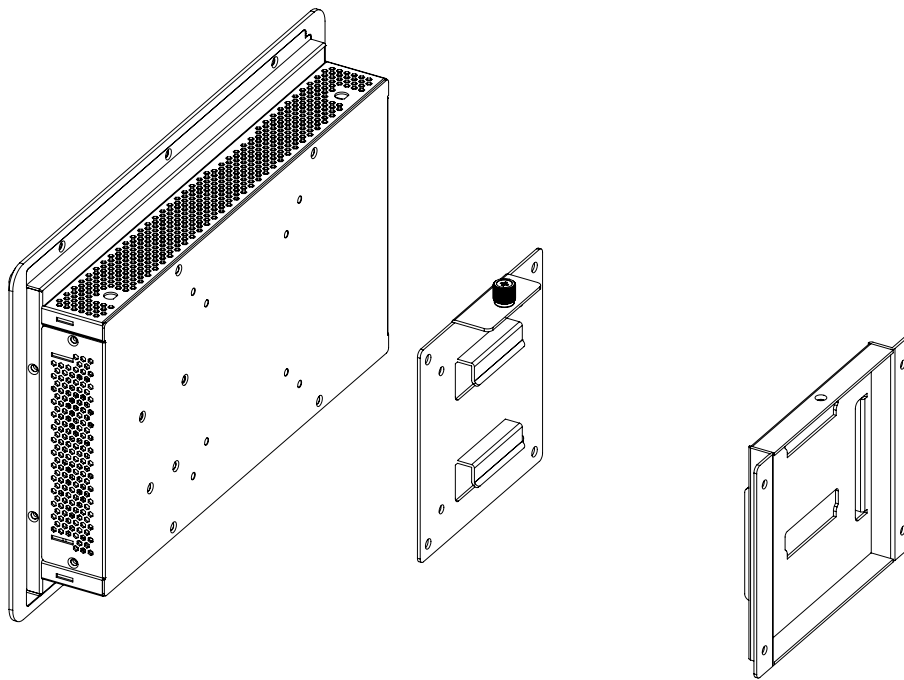
Support 9 ~ 36V



DIMENSIONS

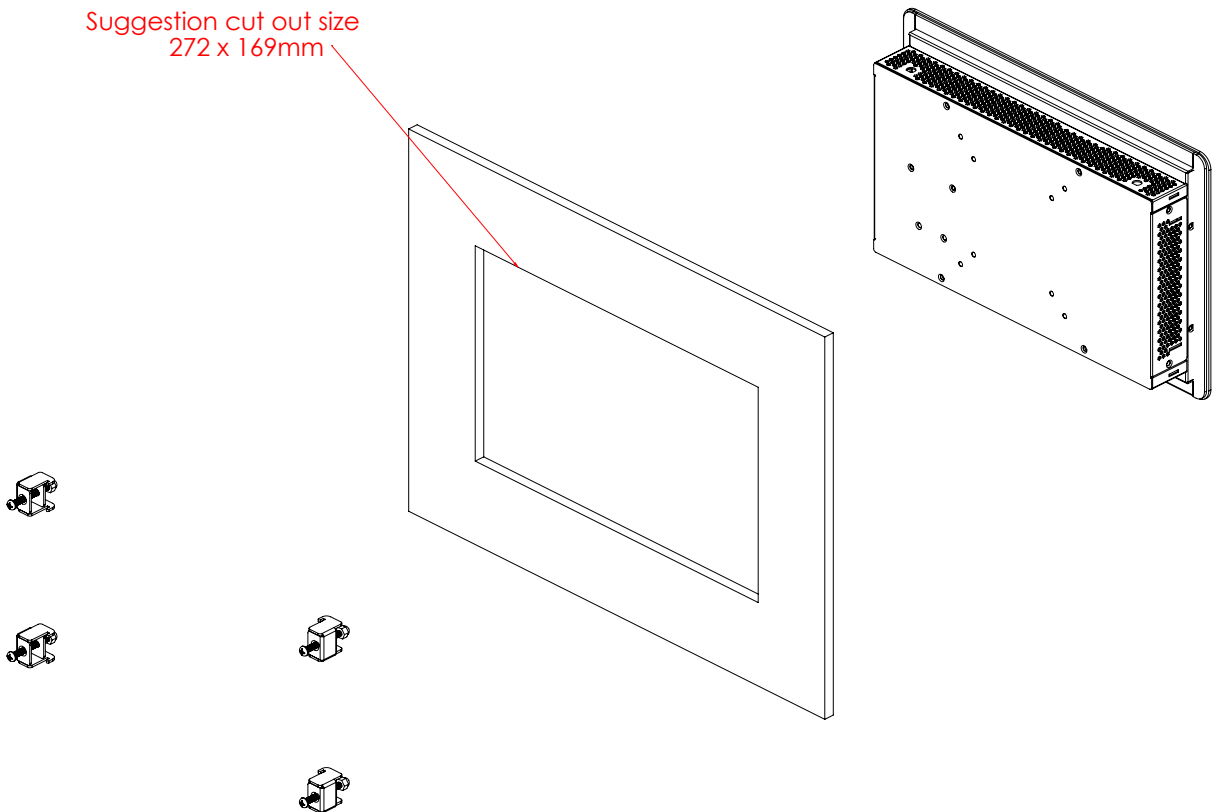


VESA MOUNTING



PANEL MOUNTING

Suggestion cut out size
272 x 169mm



SPECIFICATION

DISPLAY AND TOUCH SCREEN	Display	10.1" TFT LCD Panel	
	Aspect Ratio	16 : 10	
	Max. Resolution	1280 x 800	
	Touch Type	Projected Capacitive	
	Brightness	500 (cd/m ²)	
	Backlight Lifetime	50,000 (hours)	
SYSTEM	Processor	Intel® Atom® N150 Processor, Quad Core, 6M Cache, 1.0GHz (3.6GHz), 6W Intel® Core™ 3 Processor N355, Octa Core, 6M Cache, 1.8GHz (3.9GHz), 15W	
	Memory	Single DDR5-4800 SODIMM Up to 16GB	
	BIOS	AMI SPI 256Mbit	
GRAPHICS	Controller	Intel® UHD Graphics	
	Feature	OpenGL 4.6, Direct X 12.1, OpenCL 3.0 HW Decode: HEVC, VP9, AV1, AVC HW Encode: HEVC, VP9, AVC	
	Display	1 x HDMI	HDMI: resolution up to 4096x2160@24Hz
STORAGE	External	1 x M.2 2242 M Key (PCIe Gen3 x2 / SATA3.0)	
EXPANSION	Interface	1 x M.2 M key 2242 (PCIe Gen3 x2/SATA3.0) 1 x M.2 B key 3052 (PCIe x1/USB3.0/USB2.0) 1 x M.2 E key 2230 (USB2.0/PCIe x1)	
I/O	Ethernet	2 x GbE (RJ-45)	
	Serial	2 x RS232/422/485	
	USB	4 x USB 3.2	
	Display	1 x HDMI	
	Audio	1 x line-out	
	Button	1 x Power Button	
POWER	Type	DC 9-36V	
	Connector	DC Jack	
MECHANISM	Construction	Aluminum Front Bezel	
	Mounting	VESA mount 100 x 100	
	IP Rating	IP65 Front Panel Protection	
	Dimensions(W x H x D)	294 x 193 x 48mm	
	Weight	1.7 Kg	
ENVIRONMENT	Operating Temperature	TDP 6W CPU: -20~60°C with 0.6m/s air flow TDP 15W CPU: -20~40°C with 0.6m/s air flow	
	Storage Temperature	-30 ~ 80°C	
	Relative Humidity	10 to 95% @ 40°C, non-condensing	
STANDARDS AND CERTIFICATION	Shock	OP: Half-sine, 3G @ 11ms Non-OP: Half-sine, 5G @ 11ms	
	Vibration	OP: Random, 1Grms @ 5~500Hz, 30min Non-OP: Sweep sine, 3Grms @ 10~500Hz, 30min	
	Certifications	CE, FCC, UKCA, RoHS	

ORDERING INFORMATION

Model Name	Part Number	Description
KS101P-IRNW36-N15	750-KS1014-000G	KS101P-IRN: KS101P-IRNW36-N15, 10.1" TFT WXGA Fan-less Panel PC with Projected Capacitive Touch, Intel® ATOM® N150, DC input 9-36V DC jack, F/G SYSTEM RoHS
KS101P-IRNW36-N35	750-KS1014-100G	KS101P-IRN: KS101P-IRNW36-N35, 10.1" TFT WXGA Fan-less Panel PC with Projected Capacitive Touch, Intel® ATOM® i3-N355, DC input 9-36V DC jack, F/G SYSTEM RoHS

OPTIONAL ITEMS

Optional Items	Part Number	Description
Power Cord	785-PWRD	Power Cord; Stand(USA/EUR/CH), 1.8m, RoHS
Power Adapter	671-106012-000G	60W,12V/5A,Level 6, RoHS
Panel Mount	761-VS1010-000G	ACCESSORY PANEL MOUNT KITS VIS101, RoHS

Please contact your regional sales representative if you need memory and storage information.

PACKING LIST

1 KS101P-IRN Touch Panel PC
1 Poron foam
1 Quick Installation Guide