

VP101-M8M

NXP i.MX 8M Dual/Quad Cortex
ARM-Based In-vehicle Touch Panel PC



KEY FEATURES



ARM-Based System

Support Android 9.0 and Linux



IP Rating

IP65 Front Panel Protection



Rich I/O Connectivity

1 GbE, 4 COM, 1 CAN Bus, 2 USB 3.1 Gen1



Superior Viewing Ability

High Brightness 1200 cd/m²

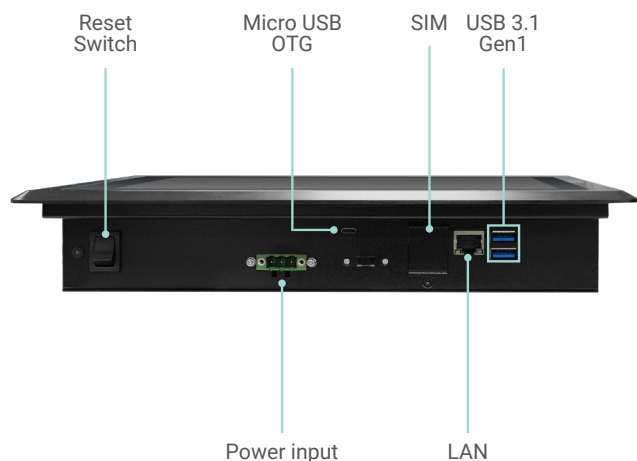


Smart Power Ignition Control

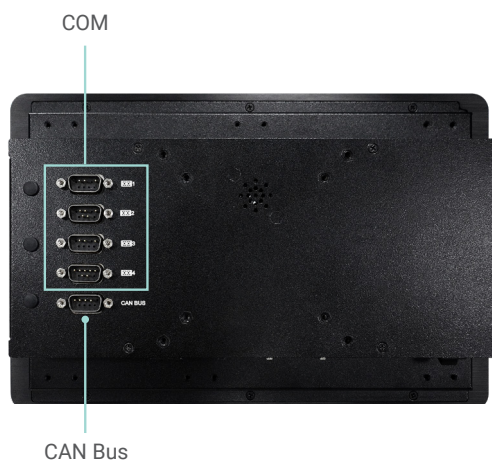
Power delay and protection time setting



PANEL

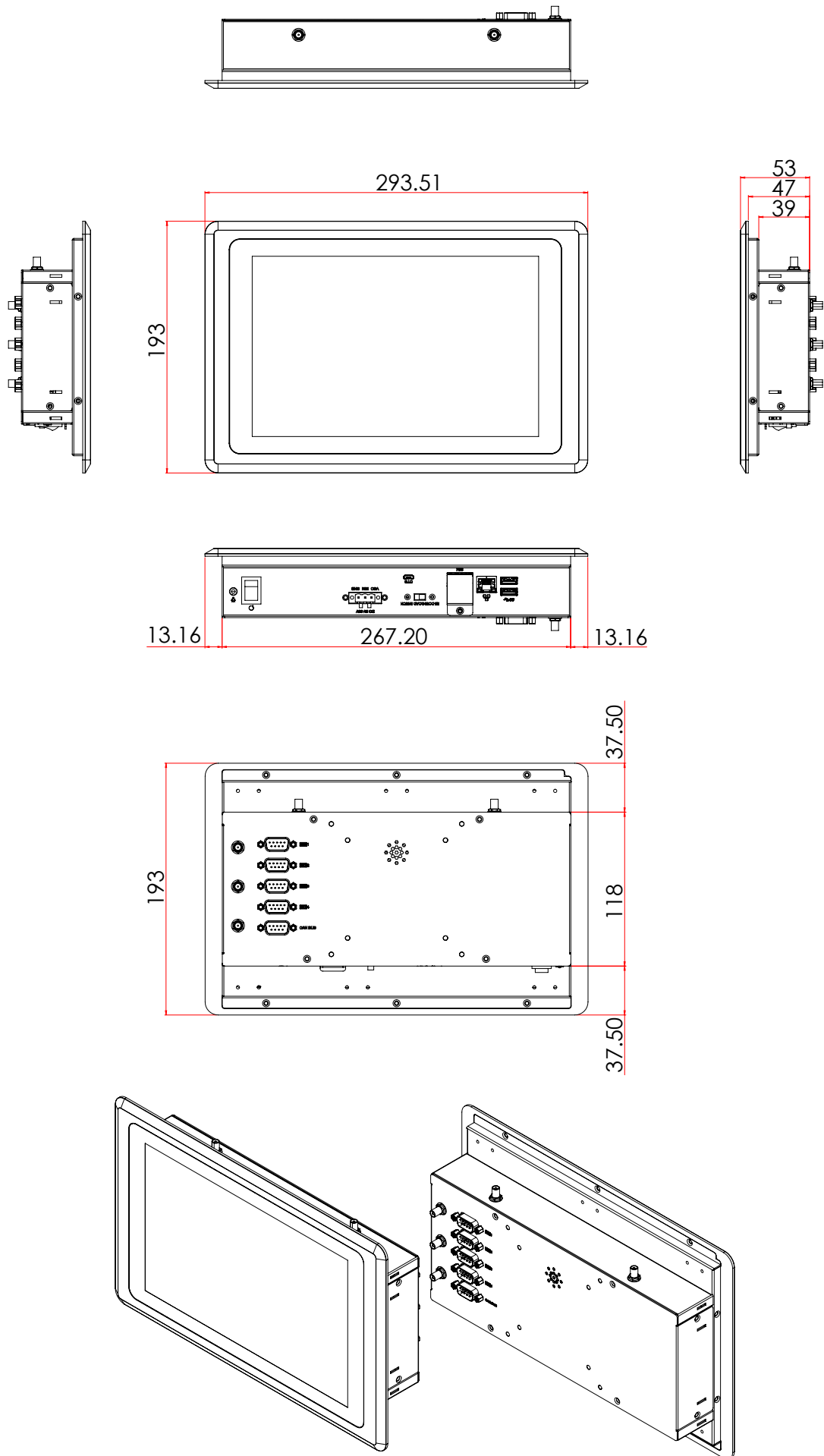


Bottom View



Back View

DIMENSIONS



SPECIFICATION

| | | |
|------------------------------|------------------------|---|
| SYSTEM | Processor | NXP i.MX 8M Dual/Quad Cortex-A53 |
| | Max. Speed | 1.3GHz |
| MEMORY | Technology | On board Memory 2GB/4GB (Default 2GB) Single Channel LPDDR4 up to 3200 MHz |
| DISPLAY & TOUCH SCREEN | Display | 10.1" PCAP TFT |
| | Max. Resolution | 1280 x 800 |
| | Brightness | 1200 cd/m ² 500 cd/m ² |
| STORAGE | Internal | Support eMMC 5.1 16GB on board (default) Support up to 64GB (optional) |
| EXPANSION | Interface | 1 M.2 2242/3042 B Key (USB3.1 Gen1), Nano SIM Slot support 1 M.2 2230 E Key (PCIe x1/USB2.0) |
| AUDIO | Audio Codec | SGTL5000 |
| | Speaker | 3W x 1 |
| ETHERNET | Controller | AR8035 |
| SENSOR | Sensor | 6 axis IMU (3 Accelerometer + 3 Gyroscope) |
| LED | Indicators | Power |
| I/O | Ethernet | 1 x GbE |
| | Serial | 1 x RS-232/422/485 (COM4) 1 x RS-232(TX,RX,RTS,CTS) (COM2) 2 x RS-232(TX,RX) (COM1/COM3) 1 x CAN Bus, DB-9 |
| | USB | 2 x USB 3.1 Gen1 1 x OTG, micro USB |
| | Buttons | 1 x Reset switch, 1 re-download switch |
| POWER | Type | 9~36V DC Power input, with ACC/IGN control |
| OS SUPPORT | Linux | Yocto 2.5 (optional) |
| | Android | Android 9.0 (default) |
| MECHANISM | Construction | Aluminum + SGCC |
| | IP Rating | IP65 Front Panel Protection |
| | Mounting | Panel Mount /VESA Mount |
| | Dimensions (W x H x D) | 294 x 193 x 53 mm |
| | Weight | 1.67kg |
| ENVIRONMENT | Operating Temp. | -20 to 70°C |
| | Storage Temp. | -30 to 80°C |
| | Relative Humidity | 10 to 90% RH (non-condensing) |
| STANDARDS AND CERTIFICATIONS | Shock | OP: Half-sine, 3G @ 11ms Non-OP: Half-sine, 5G @ 11ms |
| | Vibration | OP: Random, 1Grms @ 5~500Hz, 30min Non-OP: Sweep sine, 3Grms @ 10~500Hz, 30min |
| | Certifications | CE, FCC, E-Mark R10, RoHS, UKCA (ongoing) |