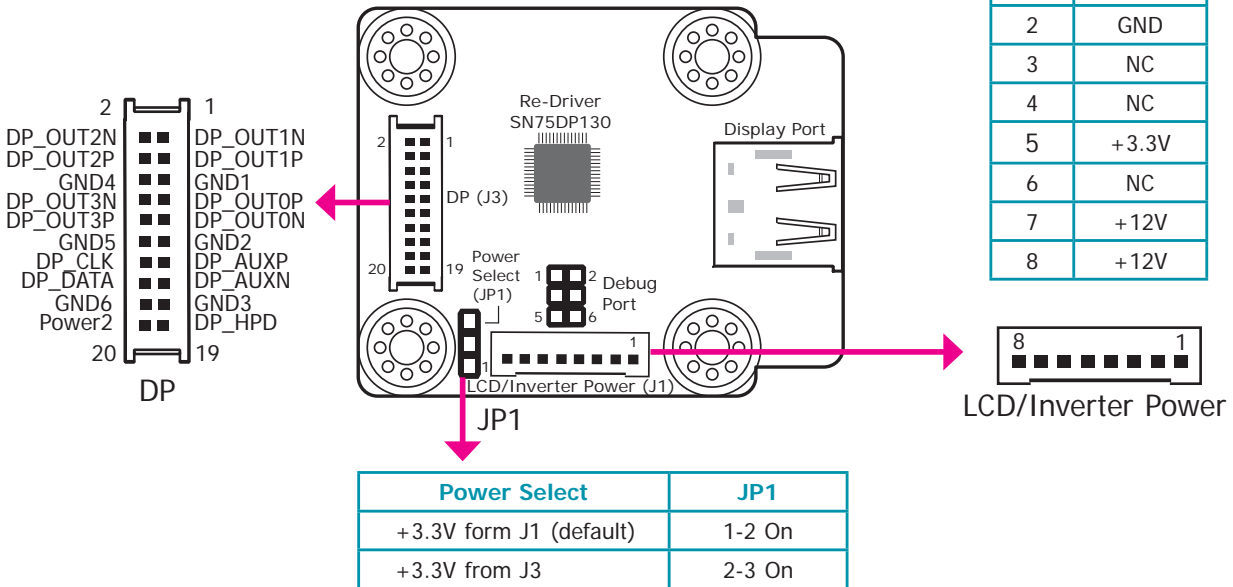
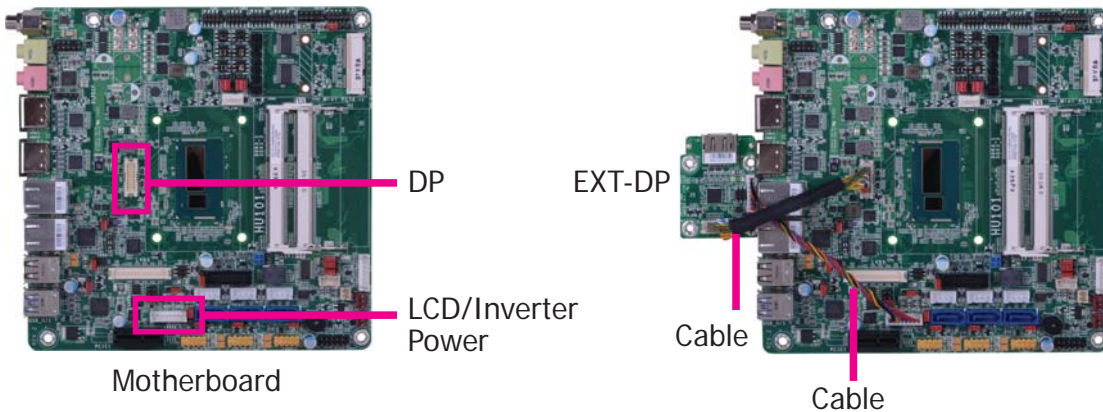


Board Layout and Pin Functions



EXT-DP Module Board Connected to the Motherboard



The EXT-DP module board is connected to the motherboard via two cables.

Specifications

Chip

- Re-Driver SN75DP130

Features

- Supports DP v1.1a and DP v1.2 signaling including HBR Data rates to 2.7Gbps

Rear Panel I/O Port

- 1 DP port

I/O Connectors

- 1 DP connector
- 1 LCD/Inverter power connector

Applied Models

- HU171/173, HU101/103, HM100/101/103-QM87/HM86, HD332-H81

Temperature

- Operating: 0°C to 60°C
- Storage: -20°C to 85°C

Humidity

- 5% to 90%

Dimensions

- 50mm x 40mm