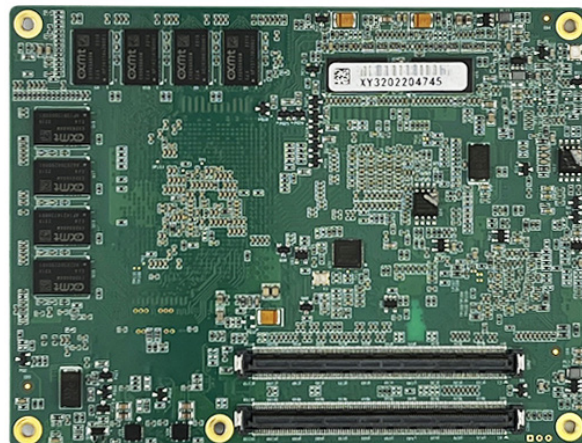
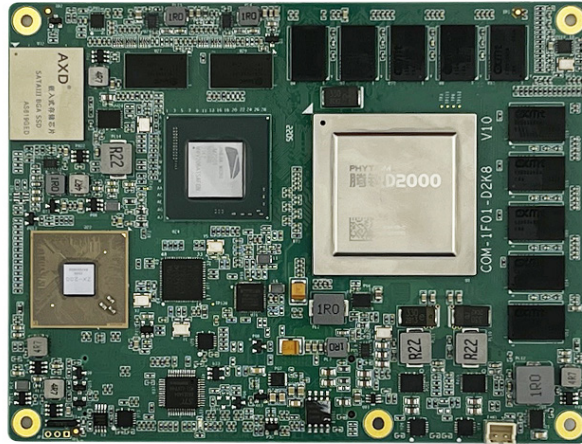


FT960

腾锐 D2000/ 飞腾 FT2000-4 Processors
COM Express® Type-6
100% 国产货元器件



KEY FEATURES



DDR4

16GB DDR4 SDRAM
(带 ECC)



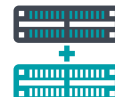
Watchdog Timer

System Reset,
Programmable via
Software from 1 to 255
Seconds



Quad Displays

VGA + LVDS + 2 HDMI



Multiple Expansion

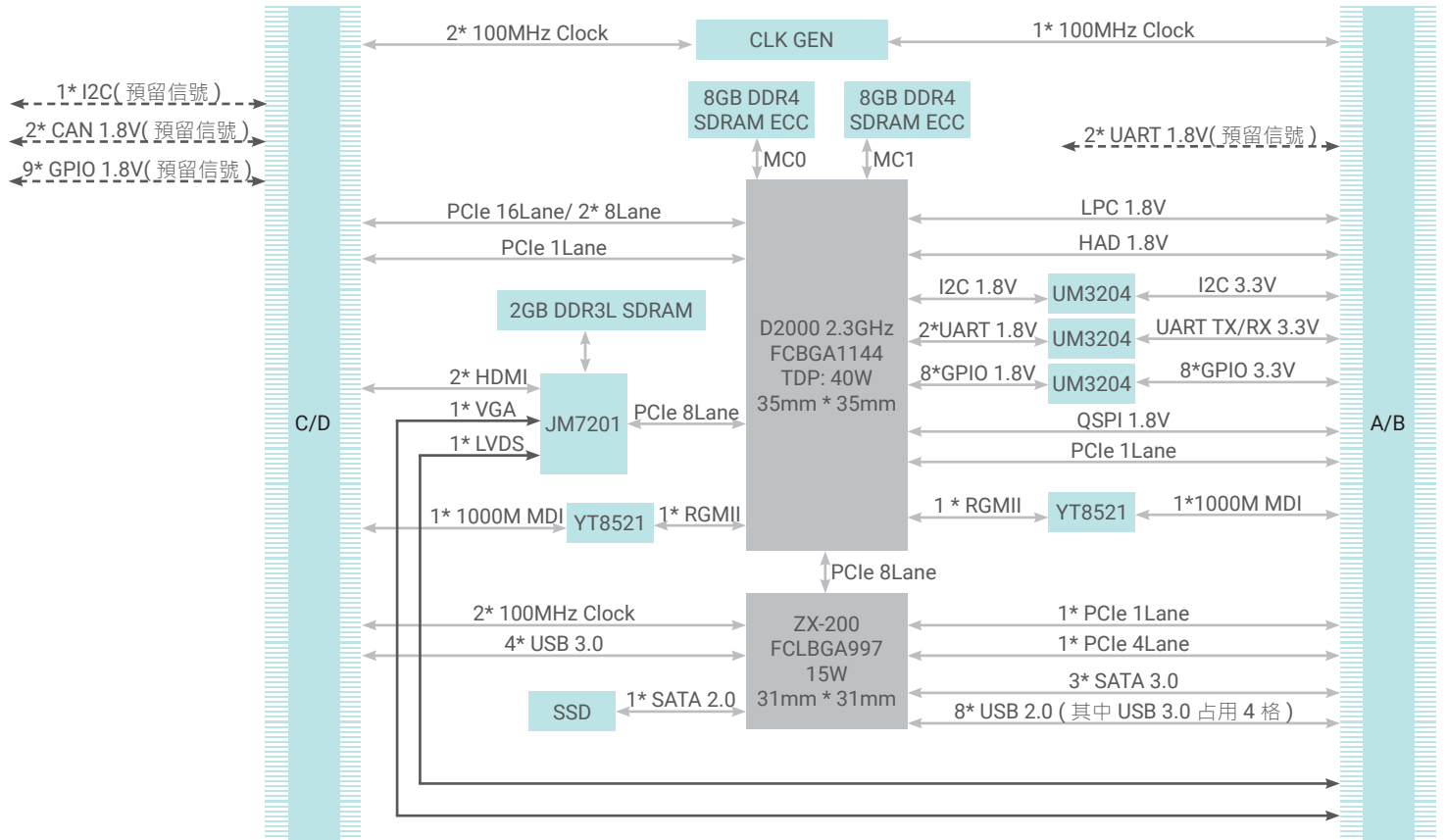
1 PCIe x16, 1 PCIe x4,
3 PCIe x1, 1 LPC, 1HDA,
1 I2C, 2 UART, 8 GPIO,
1 FAN_PWM/TACH



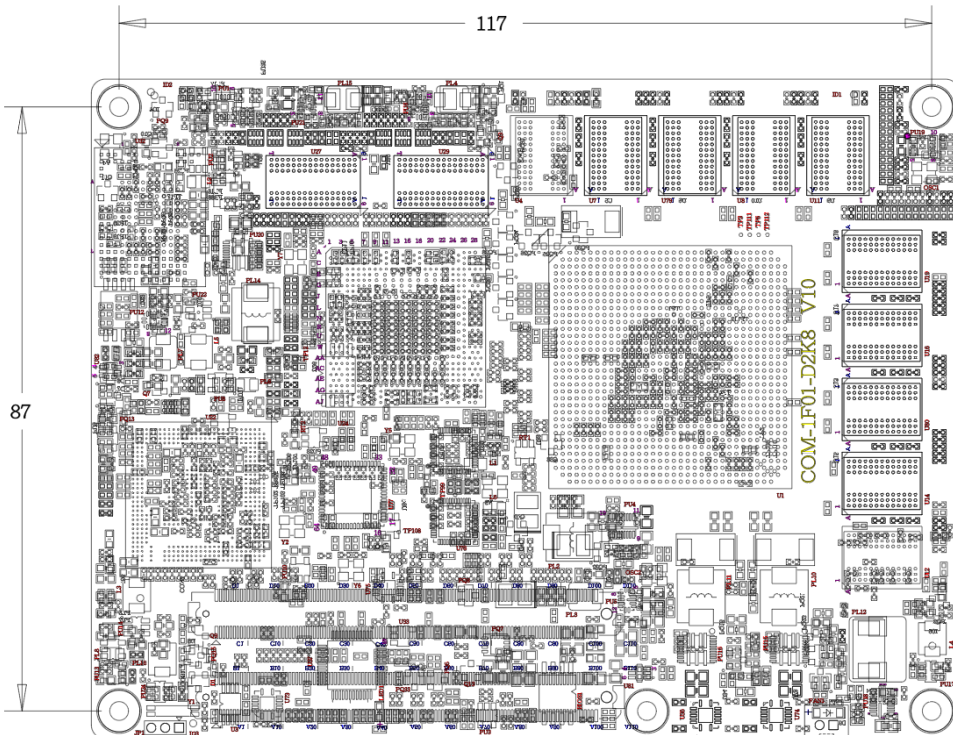
Linux

支持麒麟、UOS 等操
作系统 (默认不带系
统出货)

BLOCK DIAGRAM



MECHANICAL DRAWING



SPECIFICATION

SYSTEM	Processor	腾锐 D2000, 8 核 2.3GHz 14nm, TDP 40W 飞腾 FT2000-4, 4 核 2.6GHz 28nm, TDP 30W
	Memory	16GB DDR4 SDRAM (带 ECC)
	BIOS	Phytium BIOS
STORAGE	SSD	128GB SSD
GRAPHICS	Controller	景嘉微 JM7201 显示芯片, 独立显存 2GB 或 JM7500 显示芯片 (宽温级配置)
	Display	独立显存 2GB 支持 1 路 VGA+1 路双通道 LVDS+2 路 HDMI 独立显示
	Quad Display	VGA + LVDS + 2 HDMI
EXPANSION	Interface	1 x PCIE X16 (可配置为 2* PCIE X8) 1 x PCIE X4 (可配置为 2* PCIE X2 或 4* PCIE X1) 3 x PCIE X1 1 x LPC (1.8V) 1 x HDA (1.8V) 1 x I2C 2 x UART(3.3V TTL TX/RX) 1 x FAN_PWM/TACH
ETHERNET	Controller	2 x YT8521 (1000Mbps)
I/O	USB	4 x USB 3.0 (占用 4 路 USB 2.0 资源) 8 x USB 2.0
	SATA	3 x SATA 2.0
	SSD	1 x 128GB on board SSD
	DIO	1 x 8-bit DIO
	Display	1 x 2CH 24bits LVDS 1 x VGA 2 x HDMI
WATCHDOG TIMER	Output & Interval	System Reset, Programmable via Software from 1 to 255 Seconds
POWER	Type	AT/ATX 模式可选, 默认 AT 模式
	Consumption	· 满载时: 约 60W (D2000 处理器配置峰值) 约 50W (FT-2000/4 处理器配置峰值) · 空闲时: 约 44W (D2000 处理器配置峰值) 约 36W (FT-2000/4 处理器配置峰值)
OS SUPPORT	OS Support	支持麒麟、UOS 等操作系统 (默认不带系统出货)
ENVIRONMENT	Operating Temperature	0 to 55°C, 非凝结 (常温级) -20 to 55°C, 非凝结 (工业级) -40 to 85°C, 非凝结 (宽温级)
	Storage Temperature	-45 to 75°C, 非凝结
MECHANICAL	Dimensions	COM Express® Type-6 95mm (3.74") x 125mm (4.9")
	Compliance	PICMG COM Express® R2.1, Type 6 (COM6CB 载板)

ORDERING INFORMATION

Model Name	Part Number	Processor	DDR4	Storage	1000 BASE T	USB 3.0	USB 2.0	SATA 2.0	Thermal	Coating	Temp.
FT960-FT2000	790-FT9601-000G	FT2000	16GB	128GB SSD	2	4	8	3	Cooler	N/A	0~55°C
FT960-FT2000	790-FT9601-000C	FT2000	16GB	128GB SSD	2	4	8	3	Cooler	Yes	0~55°C
FT960-D2000	790-FT9601-100G	D2000	16GB	128GB SSD	2	4	8	3	Cooler	N/A	0~55°C
FT960-D2000	790-FT9601-100C	D2000	16GB	128GB SSD	2	4	8	3	Cooler	Yes	0~55°C
FT960-FT2000	790-FT9601-200G	FT2000	16GB	N/A	2	4	8	3	Cooler	N/A	0~55°C
FT960-FT2000	790-FT9601-200C	FT2000	16GB	N/A	2	4	8	3	Cooler	Yes	0~55°C
FT960-D2000	790-FT9601-300G	D2000	16GB	N/A	2	4	8	3	Cooler	N/A	0~55°C
FT960-D2000	790-FT9601-300C	D2000	16GB	N/A	2	4	8	3	Cooler	Yes	0~55°C