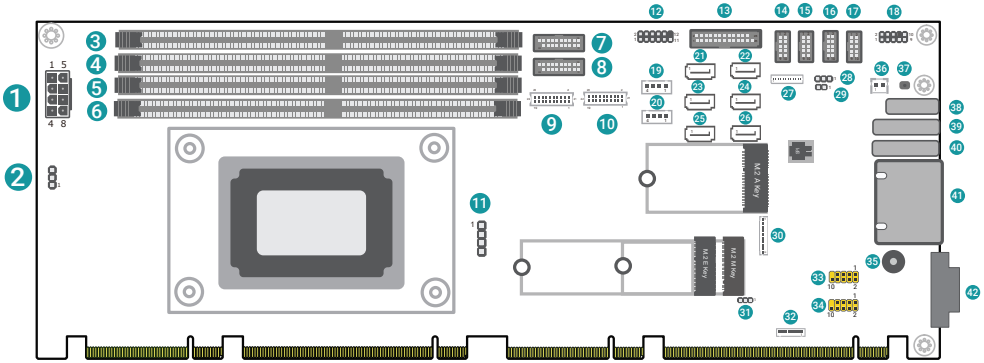


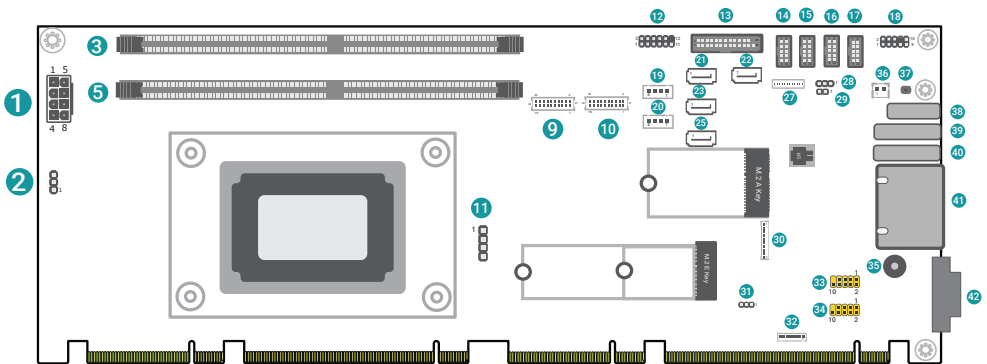
Board Layout

Top View

For Intel® R680E Chipset



For Intel® H610E Chipset



1	ATX_8 PIN	23	SATA1 (R7)
2	System Fan	24	SATA4 (R2)
3	DIMM4	25	SATA0 (R5)
4	DIMM3	26	SATA3 (R3)
5	DIMM2	27	eSPI
6	DIMM1	28	ATX/AT Mode Select
7	USB3.2	29	Case Open
8	USB3.2	30	DIO
9	EXT-DDIC	31	M.2_M-KEY Power Select
10	EXT-DDIB	32	SMBUS/I2C
11	CPU Fan	33	USB2.0
12	Front Panel	34	USB2.0
13	LPT Port	35	Buzzer
14	RS232_422_485_COM1	36	RTC Battery
15	RS232_422_485_COM2	37	Clear CMOS
16	RS232_COM3	38	USB2.0
17	RS232_COM4	39	USB3.2 Gen2
18	Audio	40	USB3.2 Gen2
19	EXT-DDI Power	41	2.5G LAN
20	EXT-DDI Power	42	VGA
21	SATA2 (R6)		
22	SATA5 (R4)		

Jumper Settings

28 ATX/AT Mode Select	SOJP26
ATX Mode (Default)	1-2 On
AT Mode	2-3 On

PIN Assignment

36 ▶ RTC Battery (J4)

Pin	Assignment
1	Battery
2	GND

29 ▶ Case Open (SOJ1)

Pin	Assignment
1	CASEOPEN#
2	GND

37 ▶ Clear CMOS (SW1)

Pin	Assignment
1	GND
2	RTC RESET

28 ▶ ATX/AT Mode Select (SOJP26)

Pin	Assignment
1	3V3SB
2	SOUT5
3	GND

31 ▶ M.2_M-KEY Power Select (M2JP31)

Pin	Assignment
1	3V3
2	3V3_MINI_1
3	3V3DU

2 ▶ System Fan (J7)

Pin	Assignment
1	GND
2	SYSFANOUT1
3	SYSFANIN1

11 ► CPU Fan (J8)

Pin	Assignment
1	GND
2	+12V
3	CPUFANIN
4	CPUFANOUT

32 ► SMBUS/I2C (J37)

Pin	Assignment
1	3V3DU
2	GND
3	SMB_CLK_RESUME
4	SMB_DATA_RESUME
5	SMBALERT_PCH-
6	I2C2_SCL
7	I2C2_SDA
8	I2C2_INT

20 ► EXT-DDI Power (DPCN2)

Pin	Assignment
1	+12V
2	GND
3	GND
4	5V

19 ► EXT-DDI Power (DPCN1)

Pin	Assignment
1	+12V
2	GND
3	GND
4	5V

1 ► ATX_8 PIN (CN2)

Pin	Assignment
1	GND
2	GND
3	GND
4	GND
5	AUX12V
6	AUX12V
7	AUX12V
8	AUX12V

18 ► Audio (AUJ2)

Pin	Assignment
1	MIC2-L
2	AUD_GND
3	MIC2-R
4	NC
5	LINE2-R
6	MIC2-JD
7	JD3_P7
8	NC
9	LINE2-L
10	LINE2-JD

23 ▶ SATA1 (J23)

Pin	Assignment
1	GND
2	TXP
3	TXN
4	GND
5	RXN
6	RXP
7	GND

21 ▶ SATA2 (J17)

Pin	Assignment
1	GND
2	TXP
3	TXN
4	GND
5	RXN
6	RXP
7	GND

26 ▶ SATA3 (J46)

Pin	Assignment
1	GND
2	TXP
3	TXN
4	GND
5	RXN
6	RXP
7	GND

24 ▶ SATA4 (J47)

Pin	Assignment
1	GND
2	TXP
3	TXN
4	GND
5	RXN
6	RXP
7	GND

22 ▶ SATA5 (J31)

Pin	Assignment
1	GND
2	TXP
3	TXN
4	GND
5	RXN
6	RXP
7	GND

25 ▶ SATA0 (J32)

Pin	Assignment
1	GND
2	TXP
3	TXN
4	GND
5	RXN
6	RXP
7	GND

33 ► USB2.0 (UBJ2)

Pin	Assignment
1	SBV5
2	SBV5
3	USB2_1_HUB_C_N
4	USB2_2_HUB_C_N
5	USB2_1_HUB_C_P
6	USB2_2_HUB_C_P
7	GND
8	GND
9	NC
10	NC

34 ► USB2.0 (UBJ3)

Pin	Assignment
1	SBV5
2	SBV5
3	USB2_3_HUB_C_N
4	USB2_4_HUB_C_N
5	USB2_3_HUB_C_P
6	USB2_4_HUB_C_P
7	GND
8	GND
9	NC
10	NC

30 ► DIO (SOJ3)

Pin	Assignment
1	DI_3
2	DI_2
3	DI_1
4	DI_0
5	DO_3
6	DO_2
7	DO_1
8	DO_0
9	5VDU
10	GND

12 ► Front Panel (J18)

Pin	Assignment
1	NC
2	V_SUS_LED
3	3V3
4	V_SUS_LED
5	HD_LED
6	SUS_LED
7	GND
8	GND
9	SYSTEM_RESET
10	Power Button
11	NC
12	NC

**14 ▶ RS232_422_485_COM1
(TSJ25)**

Pin	Assignment
1	MDCD1#
2	MSIN1
3	MSOUT1
4	MDTR1#
5	GND
6	MDSR1#
7	MRTS1#
8	MCTS1#
9	MRI1#
10	NC

**16 ▶ RS232_COM3
(TSJ27)**

Pin	Assignment
1	MDCD3-
2	MSIN3-
3	MSO3-
4	MDTR3-
5	GND
6	MDSR3-
7	MRTS3-
8	MCTS3-
9	MRI3-
10	NC

**17 ▶ RS232_COM4
(TSJ28)**

Pin	Assignment
1	MDCD4-
2	MSIN4-
3	MSO4-
4	MDTR4-
5	GND
6	MDSR4-
7	MRTS4-
8	MCTS4-
9	MRI4-
10	NC

**15 ▶ RS232_422_485_COM2
(TSJ53)**

Pin	Assignment
1	MDCD2#
2	MSIN2
3	MSOUT2
4	MDTR2#
5	GND
6	MDSR2#
7	MRTS2#
8	MCTS2#
9	MRI2#
10	NC

27 ▶ eSPI (J1)

Pin	Assignment
1	3V3DU
2	ESPI_RST
3	ESPI_ALERT1
4	ESPI_IO_0
5	ESPI_IO_1
6	ESPI_IO_2
7	ESPI_IO_3
8	ESPI_CLK
9	ESPI_CS0
10	UART1_RX
11	UART1_TX
12	GND

7 ▶ USB3.2 (UBJ44)

Pin	Assignment
1	SBV2
2	USB3_RX3_DN
3	USB3_RX3_DP
4	GND
5	USB3_TX3_DN
6	USB3_TX3_DP
7	GND
8	USBP_C_10N
9	USBP_C_10P
10	NC
11	USBP_C_11P
12	USBP_C_11N
13	GND
14	USB3_TX4_DP
15	USB3_TX4_DN
16	GND
17	USB3_RX4_DP
18	USB3_RX4_DN
19	SBV2
20	NC

8 ▶ USB3.2 (UBJ45)

Pin	Assignment
1	SBV3
2	USB3_RX5_DN
3	USB3_RX5_DP
4	GND
5	USB3_TX5_DN
6	USB3_TX5_DP
7	GND
8	USBP_C_12N
9	USBP_C_12P
10	NC
11	USBP_C_13P
12	USBP_C_13N
13	GND
14	USB3_TX6_DP
15	USB3_TX6_DN
16	GND
17	USB3_RX6_DP
18	USB3_RX6_DN
19	SBV3
20	NC

10 ► EXT-DDIB (DPJ1)

Pin	Assignment
1	DPB_LANE1_N
2	DPB_LANE2_N
3	DPB_LANE1_P
4	DPB_LANE2_P
5	GND
6	GND
7	DPB_LANE0_P
8	DPB_LANE3_N
9	DPB_LANE0_N
10	DPB_LANE3_P
11	GND
12	GND
13	DDIB_AUX_DP
14	DDPB_CTRLCLK_EXT
15	DDIB_AUX_DN
16	DDPB_CTRLDATA_EXT
17	GND
18	PCH_SYSPWROK
19	DDPB_HPD
20	DPB_POWER
21	GND
22	GND

9 ► EXT-DDIC (DPJ2)

Pin	Assignment
1	DPC_LANE1_N
2	DPC_LANE2_N
3	DPC_LANE1_P
4	DPC_LANE2_P
5	GND
6	GND
7	DPC_LANE0_P
8	DPC_LANE3_N
9	DPC_LANE0_N
10	DPC_LANE3_P
11	GND
12	GND
13	DDIC_AUX_DP
14	DDPC_CTRLCLK_EXT
15	DDIC_AUX_DN
16	DDPC_CTRLDATA_EXT
17	GND
18	PCH_SYSPWROK
19	DDPC_HPD
20	DPC_POWER
21	GND
22	GND

Pin	Assignment
1	STB-
2	AFD-
3	PD_C_0
4	ERP_WAKE-
5	PD_C_1
6	P_INIT-
7	PD_C_2
8	SLIN-
9	PD_C_3
10	GND
11	PD_C_4
12	GND
13	PD_C_5
14	GND
15	PD_C_6
16	GND
17	PD_C_7
18	GND
19	ACK-
20	GND
21	BUSY
22	GND
23	PE
24	GND
25	SLCT
26	NC



DFI reserves the right to change the specifications at any time prior to the product's release. This QR may be based on the product's revision. For more documentation and drivers, please visit the download page at www.dfi.com/downloadcenter, or via the QR codes to the right.

