

KS070-M8M

7" Industrial Touch Panel PC



KEY FEATURES



7" 1024x600 TFT LCD Panel

with capacitive touch screen



High Speed LPDDR4

2GB/4GB SDRAM Memory Down



NXP i.MX8M Platform

performance up to 30% enhancement



Multiple Expansion

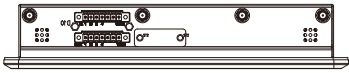
M.2 2230/3042 support



IP65

IP65 front panel protection

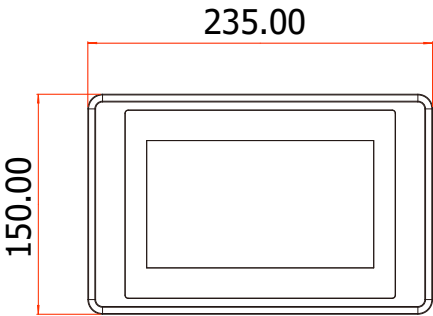
DIMENSIONS



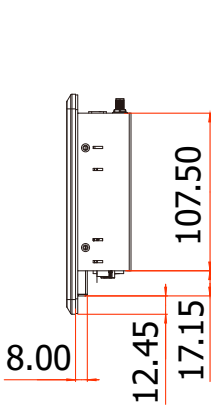
Top View



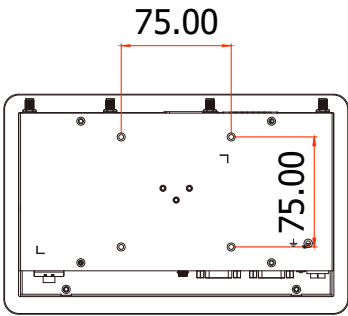
Left View



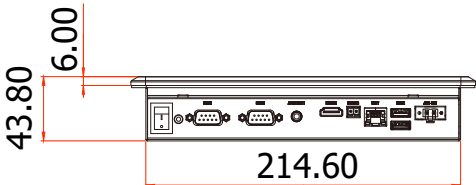
Front View



Right View



Rear View



Bottom View

SPECIFICATION

SYSTEM	Processor	NXP i.MX 8M Dual Cortex-A53, 1.3GHz
	Memory	2GB/4GB SDRAM Memory Down Single Channel LPDDR4 1600MHz
DISPLAY AND TOUCH SCREEN	Display	7" 1024x600 TFT LCD Panel with Capacitive Touch Screen
	Brightness	425 cd/m ²
	Contrast	800:1
	Backlight Lifetime	50,000 hours
STORAGE	Internal	16GB eMMC 1 x Internal Micro SD Socket
EXPANSION	Interface	1 x M.2 B key 3042/2242 (USB 2.0) 1 x M.2 E key 2230 (PCIe x1/USB 2.0) 1 x Nano SIM slot (Optional)
LED	Indicators	1 x Power LED
TOP I/O	Wi-Fi Antenna	2 x Wi-Fi Module Antenna Hole
BOTTOM I/O	Ethernet	1 x GbE (RJ-45)
	Serial	1 x RS-232/422/485 1 x RS-485
	USB	2 x USB 3.1 (type A)
	Buttons	1 x Power Switch
	Audio	1 x Line out
	DIO	1 x 8-bit DIO
	INTERNAL I/O	
WATCHDOG TIMER	Output & Interval	System Reset, Programmable via Software from 1 to 255 Seconds
POWER	Type	12V
	Connector	2-Pole Terminal Block
OS SUPPORT	OS Support	Android 9.0 & Yocto 2.5
ENVIRONMENT	Operating Temperature	0 to 60°C -20~70°C by request
	Storage Temperature	-30 to 85°C
	Relative Humidity	85%@65°C (non-condensing)
MECHANISM	Dimensions	235 x 150 x 43.8(W x H x D)
	Construction	Aluminum front bezel
	Mounting	Panel Mount /VESA Mount /Din-rail(Optional)
	Weight	1.2kg
STANDARDS AND CERTIFICATIONS	Shock	OP: Half-sine, 3G @ 11ms Non-OP: Half-sine, 5G @ 11ms
	Vibration	OP: Random, 1Grms @ 5~500Hz, 30min Non-OP: Sweep sine, 3Grms @ 10~500Hz, 30min
	Certifications	CE, FCC Class B

ORDERING INFORMATION

Model Name	Part Number	Description
KS070P-M8M	755-KS0703-000G	KS070P-M8M: M8M051, Fan-less 7" Panel PC; NXP i.MX 8M Dual Cortex-A53; 2GB DDR4; eMMC 16GB; PCT, Assy. RoHS
KS070P-M8M	755-KS0703-100G	KS070P-M8M: M8M051, Fan-less 7" Panel PC; NXP i.MX 8M Dual Cortex-A53; 4GB DDR4; eMMC 16GB; PCT, Assy. RoHS

PACKING LIST

1 Touch Panel PC
1 Poron foam
1 Quick Installation Guide