

KS070-M8M

7" Industrial Touch Panel PC



KEY FEATURES



7" 1024x600 TFT LCD Panel

with capacitive touch screen



High Speed LPDDR4

2GB/4GB SDRAM Memory Down



NXP
i.MX8M

NXP i.MX8M Platform

performance up to 30% enhancement



Multiple Expansion

M.2 2230/3042 support



IP65

IP65 front panel protection

PANEL

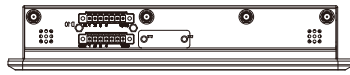


Top View



Bottom View

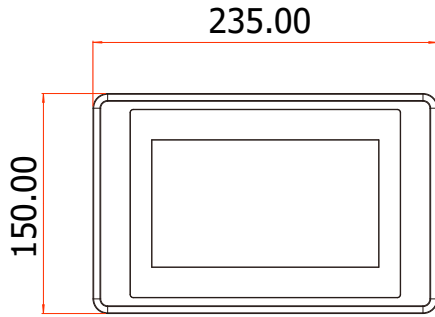
DIMENSIONS



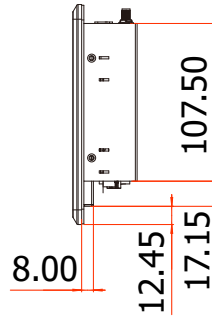
Top View



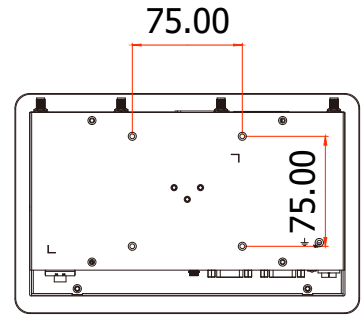
Left View



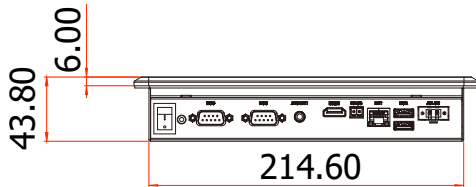
Front View



Right View



Rear View



Bottom View

SPECIFICATION

SYSTEM	Processor	NXP i.MX 8M Dual Cortex-A53, 1.3GHz
	Memory	2GB/4GB SDRAM Memory Down Single Channel LPDDR4 1600MHz
DISPLAY AND TOUCH SCREEN	Display	7" 1024x600 TFT LCD Panel with Capacitive Touch Screen
	Brightness	425 cd/m ²
	Contrast	800:1
	Backlight Lifetime	50,000 hours
STORAGE	Internal	16GB eMMC 1 x Internal Micro SD Socket
EXPANSION	Interface	1 x M.2 B key 3042/2242 (USB 2.0) 1 x M.2 E key 2230 (PCIe x1/USB 2.0) 1 x Nano SIM slot (Optional)
LED	Indicators	1 x Power LED
TOP I/O	Wi-Fi Antenna	2 x Wi-Fi Module Antenna Hole
BOTTOM I/O	Ethernet	1 x GbE (RJ-45)
	Serial	1 x RS-232/422/485 1 x RS-485
	USB	2 x USB 3.1 (type A)
	Buttons	1 x Power Switch
	Audio	1 x Line out
	DIO	1 x 8-bit DIO
	INTERNAL I/O	
WATCHDOG TIMER	Output & Interval	System Reset, Programmable via Software from 1 to 255 Seconds
POWER	Type	12V
	Connector	2-Pole Terminal Block
OS SUPPORT	OS Support	Android 9.0 & Yocto 4.3
ENVIRONMENT	Operating Temperature	0 to 60°C -20~70°C by request
	Storage Temperature	-30 to 85°C
	Relative Humidity	85%@65°C (non-condensing)
MECHANISM	Dimensions	235 x 150 x 43.8(W x H x D)
	Construction	Aluminum front bezel
	Mounting	Panel Mount /VESA Mount /Din-rail(Optional)
	Weight	1.2kg
STANDARDS AND CERTIFICATIONS	Shock	OP: Half-sine, 3G @ 11ms Non-OP: Half-sine, 5G @ 11ms
	Vibration	OP: Random, 1Grms @ 5~500Hz, 30min Non-OP: Sweep sine, 3Grms @ 10~500Hz, 30min
	Certifications	CE, FCC Class B

ORDERING INFORMATION

Model Name	Part Number	Description
KS070P-M8M	750-KS0703-000G	KS070P-M8M: M8M051, Fan-less 7" Panel PC; NXP i.MX 8M Dual Cortex-A53; 2GB DDR4; eMMC 16GB; PCT, Assy. RoHS
KS070P-M8M	750-KS0703-100G	KS070P-M8M: M8M051, Fan-less 7" Panel PC; NXP i.MX 8M Dual Cortex-A53; 4GB DDR4; eMMC 16GB; PCT, Assy. RoHS

PACKING LIST

1 Touch Panel PC
1 Poron foam
1 Quick Installation Guide