

## MDP156



Top View



Rear View

### Features

- 15.6" Enclosure Display
- Display Mode VA Type
- 1920x1080 @60Hz
- Brightness 250 nits (Typ.)
- HDMI / VGA / Audio signal Input
- Response time 25ms
- Viewing Angle 85/85/85/85
- Power DC 12V /3A

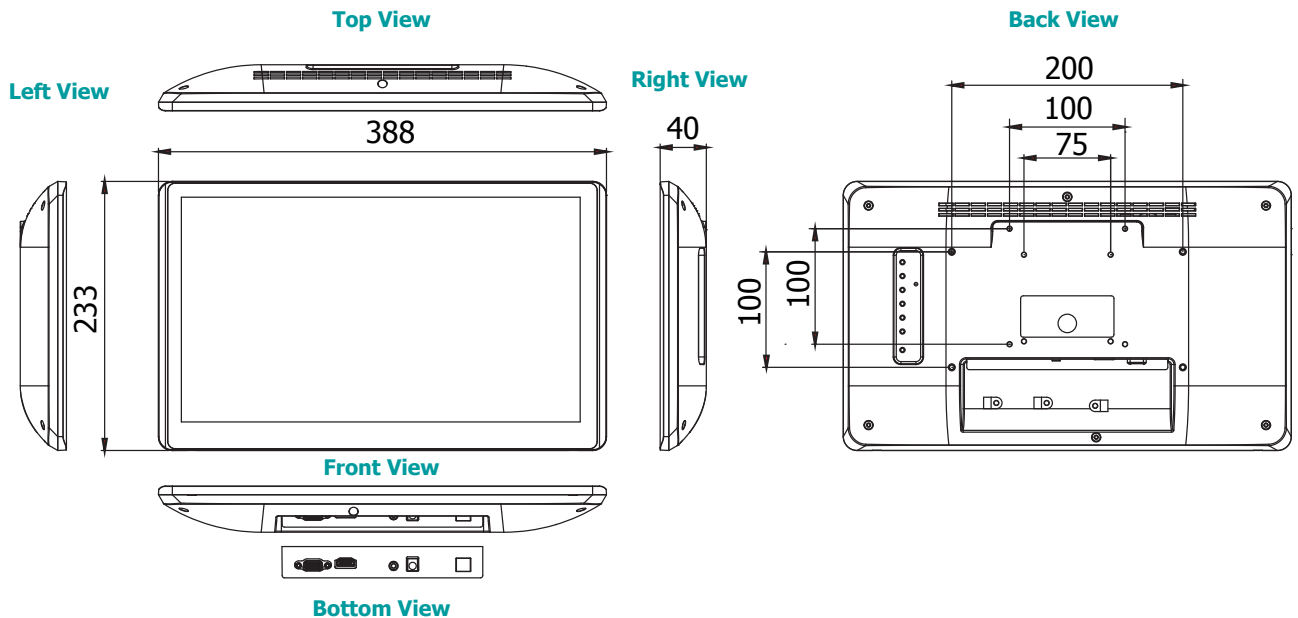


### Panel



USB for touch    12V DC in    Audio in    HDMI    VGA

### Dimensions



## ► Specifications

<b>DISPLAY AND TOUCH SCREEN</b>	<b>Size/Type</b>	15.6" TFT	
	<b>Display</b>	1920*1080 @ 60Hz	
	<b>Brightness</b>	250 nits (Typ.)	
	<b>Contrast</b>	700:1	
	<b>Viewing Angle</b>	-85~85(H); -85~85(V)	
	<b>Max Colors</b>	16.2M	
	<b>Touch</b>	Projected Capacitive Touch	
<b>I/O PORT</b>	<b>Input ports</b>	1 x VGA	1 x Audio
		1 x HDMI	1 x Power
	<b>OSD Membrane</b>	Buttons at rear side	
<b>Speaker</b>	2 x 2 Watt speaker		
<b>COLOR of CASE</b>	White		
<b>POWER</b>	<b>Input</b>	DC 12V /3A, < 36 Watt	
	<b>Consumption</b>	10W typical, normal operation	
<b>MECHANICAL</b>	<b>Construction</b>	Sheet Metal	
	<b>Mounting</b>	VESA Mount 75 x 75	
	<b>Dimensions (W x H x D)</b>	387.8mm x 232.9mm x 38.45mm	
<b>SIZE</b>	15.6"		
<b>VIEWING ANGLE</b>	170°/170° (CR>10)		
<b>ENVIRONMENT</b>	<b>Operating Temperature</b>	0 to 40°C	
	<b>LCD panel life time</b>	50,000 hours	
<b>CERTIFICATIONS</b>	CE, FCC and UL60601 in progress		

## ► Packing List

- 1 MDP156 System Unit
- 1 HDMI cable
- 1 40W AC Adaptor
- 1 Power Cord