



VP101-BT

Atom

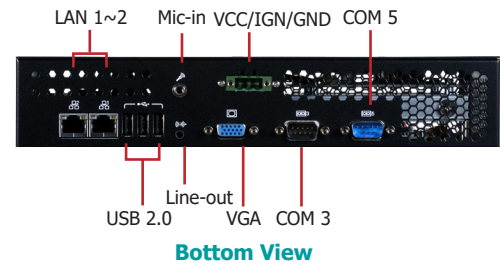
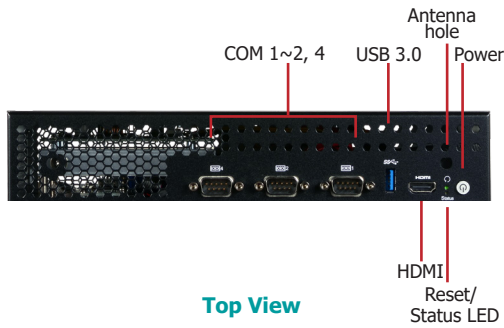


Features

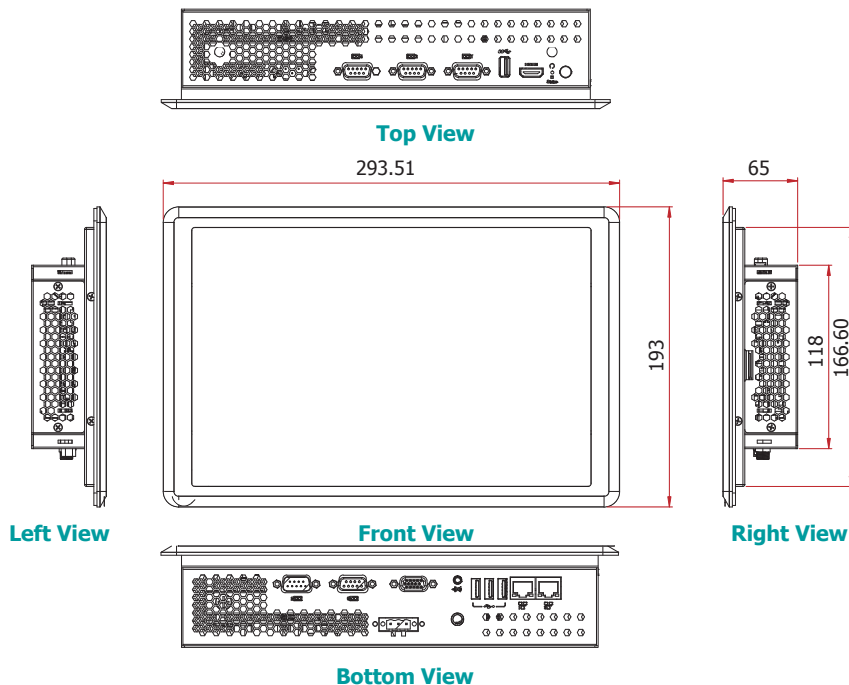
- 10.1" 1280x800 TFT LCD Panel with Touch Screen
- Supports Ignition Control and Delay On/Off Function
- IP65 Front Panel Protection
- VESA/Panel Mount
- Rich I/O: 2 LAN, 5 COM, 1 USB 3.0, 3 USB 2.0



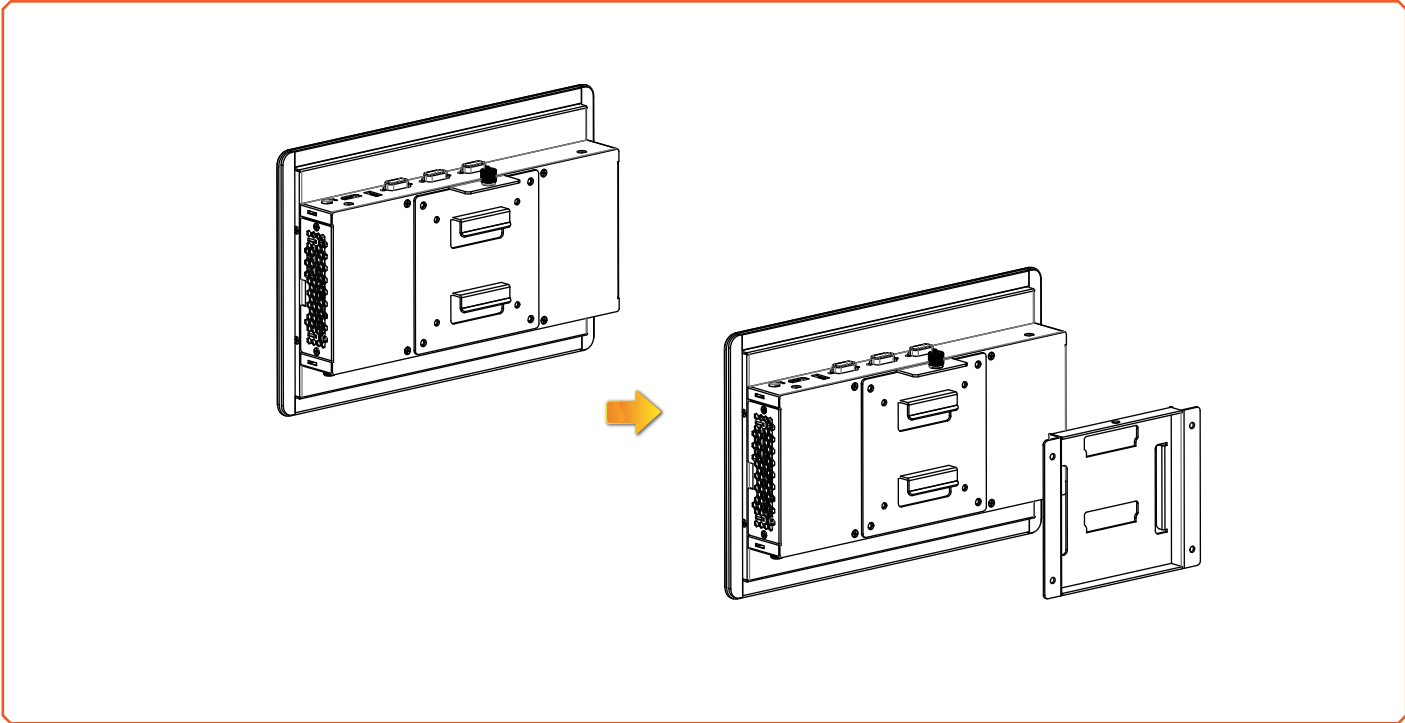
Panel



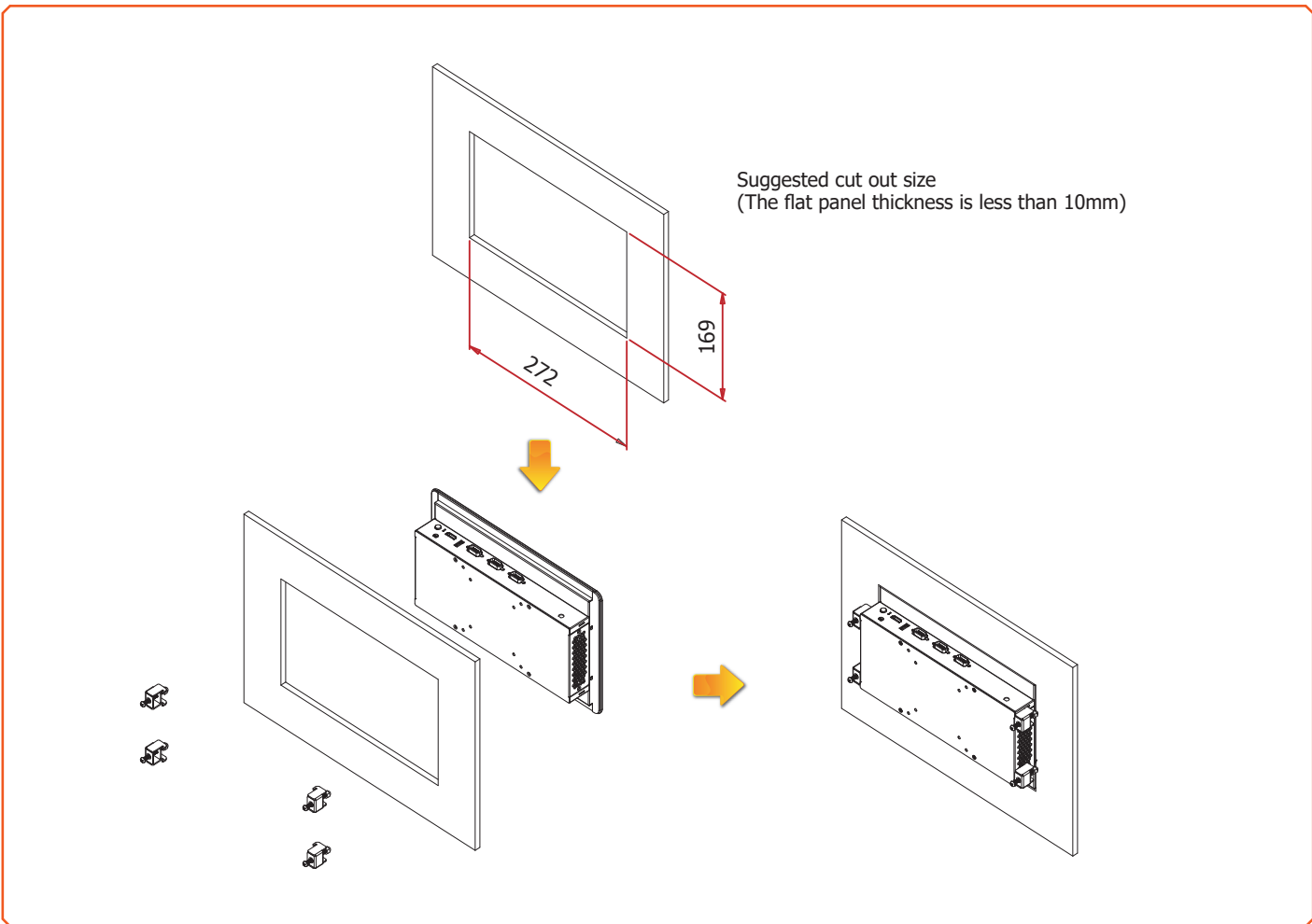
Dimensions



▶ Wall Mounting



▶ Panel Mounting



▶ Ordering Information

Model Name	Part Number	Description
VP101-BT-454	750-VP1010-000G	10.1" Panel PC, BT253, Intel® Atom™ E3845, 4G RAM, 9~36V DC input
VP101-BT-252	750-VP1010-100G	10.1" Panel PC, BT253, Intel® Atom™ E3825, 2G RAM, 9~36V DC input

▶ Optional Items

Optional Items	Part Number	Description
HDD	785-H25500G	2.5" SATA HDD, 500GB, RoHS
	785-H25320G	2.5" SATA HDD, 320GB, RoHS
	785-S251TBG	2.5" SATA SSD, 1TB MLC, RoHS
	785-S25512G	2.5" SATA SSD, 512GB MLC, RoHS
	785-S25256G	2.5" SATA SSD, 256GB MLC, RoHS
	785-S25128G	2.5" SATA SSD, 128GB MLC, RoHS
	785-S25064G	2.5" SATA SSD, 64GB MLC, RoHS
	785-S25032G	2.5" SATA SSD, 32GB MLC, RoHS
mSATA	785-MS128GMF	mSATA Card, 128GB MLC, RoHS
	785-MS64GMF	mSATA Card, 64GB MLC, RoHS
	785-MS32GMF	mSATA Card, 32GB MLC, RoHS
	785-MS16GMF	mSATA Card, 16GB MLC, RoHS
	785-MS08GMF	mSATA Card, 8GB MLC, RoHS
	785-MS04GMF	mSATA Card, 4GB MLC, RoHS
CAN BUS	770-MPEC21-000G	MPE-CAN2-MR, Mini-PCIe RAW CAN Module Card F/G, RoHS
	770-MPEC21-100G	MPE-CAN2-MF, Mini-PCIe Full CAN Module Card F/G, RoHS
Wi-Fi	761-110091-000G	Wi-Fi kit, RoHS
Power Cord	785-PWRD	Power cord, Standards (USA/EUR/CH), 1.8m, RoHS
Power Adapter	671-110003-100G	120W, 19V/6.3A, Level 6, RoHS
Wall Mount	761-TPC000-000G	Accessory Wall Mount Kits TPC Series/KS2xx, RoHS
Panel Mount	761-VS1010-000G	Accessory Panel Mount Kit VIS101, RoHS

785-XXX is a group number instead of a unique part number. Please contact your regional sales representative if you need more information.

▶ Packing List

• 1 VP101-BT Touch Panel PC
• 1 Poron foam
• 1 Chassis Panel Mount Bracket
• 1 Quick Installation Guide