



# WM343-SD331

C236  
Q170

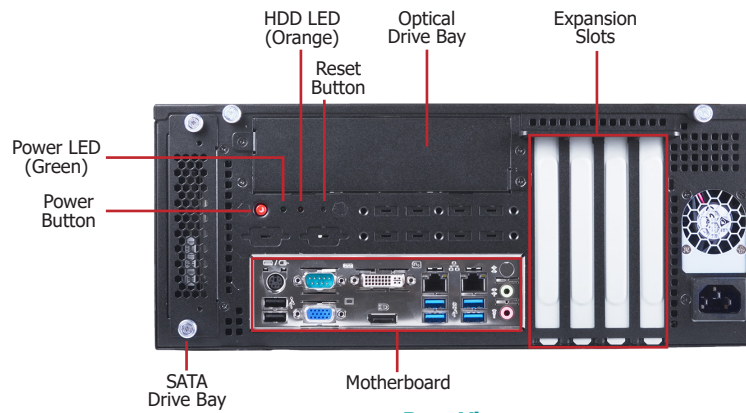


## ► Features

- 6th Gen Intel Core Desktop/Wallmount Box IPC
- Up to 2x 3.5"/2.5" SATA drive bays
- 1x optical drive bay
- Triple displays: VGA + DVI-I (DVI-D signal) + DP++
- Supports 4 expansion slots: 2 PCIe x16, 2 PCIe x4

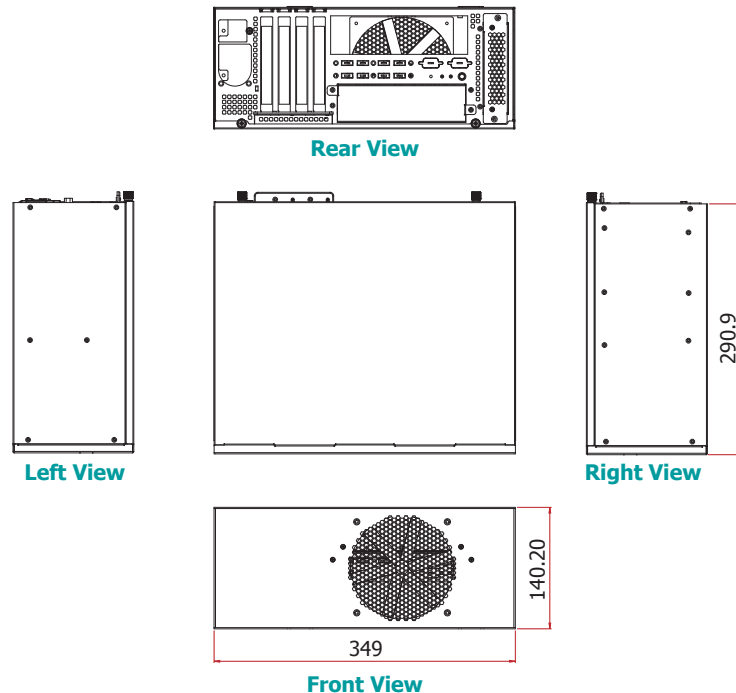


## ► Panel



Rear View

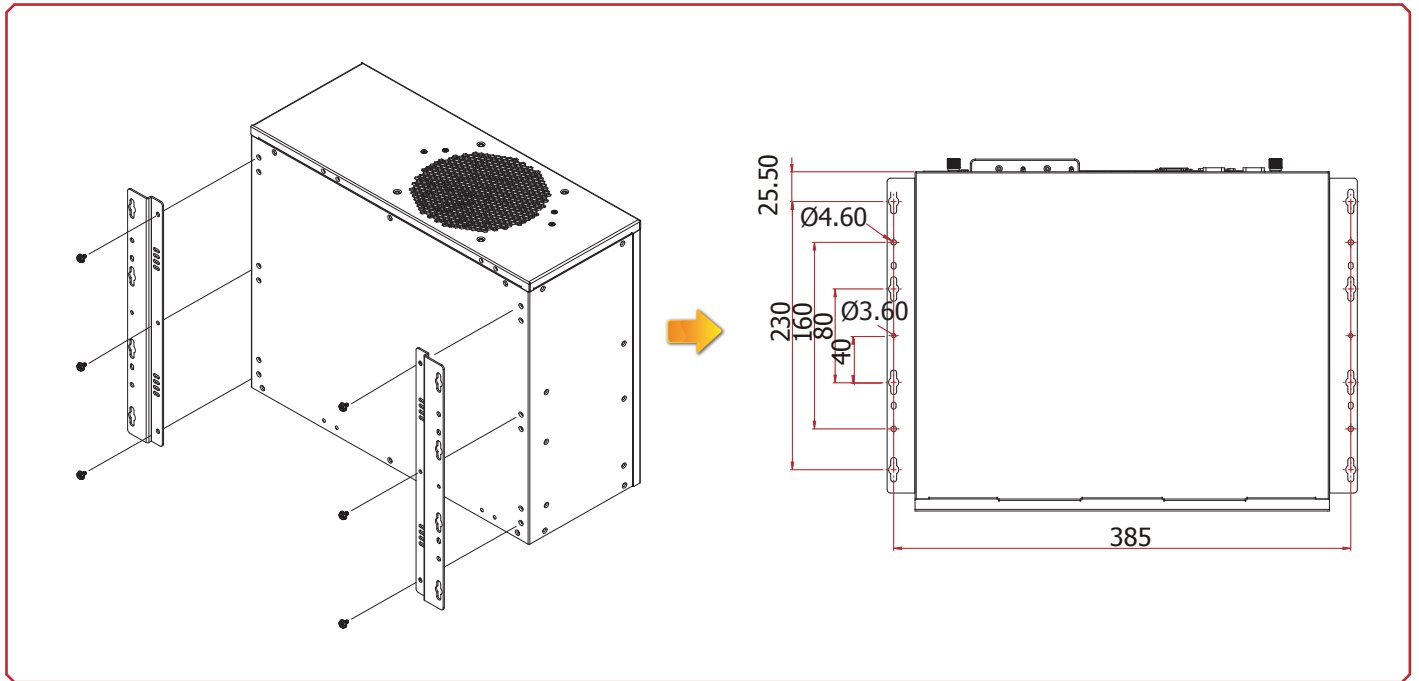
## ► Dimensions



## Specifications

<b>SYSTEM</b>	<b>Processor</b>	6th Generation Intel® Core™ Processors, LGA 1151 Socket Intel® Xeon® Processor E3-1275 v5, Quad Core, 8M Cache, 3.6GHz (4.0GHz), 80W (ECC Supported) Intel® Xeon® Processor E3-1225 v5, Quad Core, 6M Cache, 3.3GHz (3.7GHz), 80W (ECC Supported) Intel® Xeon® Processor E3-1268L v5, Quad Core, 8M Cache, 2.4GHz (3.4GHz), 35W (ECC Supported) Intel® Core™ i7-6700 Processor, Quad Core, 8M Cache, 3.4GHz (4.0GHz), 65W Intel® Core™ i7-6700TE Processor, Quad Core, 8M Cache, 2.4GHz (3.4GHz), 35W Intel® Core™ i5-6500 Processor, Quad Core, 6M Cache, 3.2GHz (3.6GHz), 65W Intel® Core™ i5-6500TE Processor, Quad Core, 6M Cache, 2.3GHz (3.3GHz), 35W Intel® Core™ i3-6100 Processor, Dual Core, 4M Cache, 65W Intel® Core™ i3-6100TE Processor, Dual Core, 4M Cache, 2.7GHz, 35W (ECC Supported) Intel® Pentium® Processor G4400, Dual Core, 3M Cache, 3.3GHz, 65W Intel® Pentium® Processor G4400TE, Dual Core, 3M Cache, 2.9GHz, 35W Intel® Celeron® Processor G3900, Dual Core, 2M Cache, 2.8GHz, 65W Intel® Celeron® Processor G3900TE, Dual Core, 2M Cache, 2.6GHz, 35W	
	<b>Chipset</b>	SD331-C236: Intel® C236 Chipset	SD331-Q170: Intel® Q170 Chipset
	<b>Memory</b>	Four 288-pin ECC/non-ECC DIMM up to 64GB	Dual Channel DDR4 1866/2133MHz
	<b>BIOS</b>	Insyde SPI 128Mbit	
<b>GRAPHICS</b>	<b>Controller</b>	Intel® HD Gen 9 Graphics	
	<b>Feature</b>	OpenGL 5.0, DirectX 12, OpenCL 2.1 HW Decode: AVC/H.264, MPEG2, VC1/WMV9, JPEG/MJPEG, HEVC/H265, VP8, VP9 HW Encode: MPEG2, AVC/H264, JPEG, HEVC/H265, VP8, VP9	
	<b>Display</b>	1 x VGA 1 x DVI-I (DVI-D signal) 1 x DP++	VGA: resolution up to 1920x1200 @ 60Hz DVI-I: resolution up to 1920x1200 @ 60Hz DP++: resolution up to 4096x2304 @ 60Hz
	<b>Triple Displays</b>	VGA + DVI-I (DVI-D signal) + DP++	
<b>STORAGE</b>	<b>External</b>	1 or 2 x 3.5"/2.5" SATA 3.0 Drive Bays (1 x 3.5" SATA drive bay, by default) 1 x 5.25" Optical Drive Bay	
<b>EXPANSION</b>	<b>Interface</b>	2 x PCIe x16 (1 x16 or 2 x8 signal) (Gen 3) 2 x PCIe x4 (Gen 3)	
<b>AUDIO</b>	<b>Audio Codec</b>	Realtek ALC885-VD2-GR	
<b>ETHERNET</b>	<b>Controller</b>	1 x Intel® I210AT PCIe (10/100/1000Mbps) 1 x Intel® I219LM PCIe with iAMT11.0 (10/100/1000Mbps) (only Core i7/i5 supports iAMT)	
<b>LED</b>	<b>Indicators</b>	1 x Power LED 1 x HDD LED	
<b>REAR I/O</b>	<b>Ethernet</b>	2 x GbE (RJ-45)	
	<b>Serial</b>	1 x RS-232/422/485 (RS-232 w/ power) (DB-9)	
	<b>USB</b>	4 x USB 3.0 2 x USB 2.0	
	<b>PS/2</b>	1 x PS/2 (mini-DIN-6)	
	<b>Display</b>	1 x VGA 1 x DVI-I (DVI-D signal) 1 x DP++	
	<b>Audio</b>	1 x Line-out, 1 x Mic-in, 1 x Line-in (available upon request)	
	<b>Buttons</b>	1 x Power Button	
	<b>Fan</b>	1 x System Fan	
<b>WATCHDOG TIMER</b>	<b>Output &amp; Interval</b>	System Reset, Programmable via Software from 1 to 255 Seconds	
<b>POWER</b>	<b>Supply</b>	Flex ATX 400W/250W	
<b>OS SUPPORT</b>		Windows 7 (/WES7) 32/64-bit Windows 8.1 (64-bit) Windows 10 IoT Enterprise 64-bit	Debian 8 (with VESA graphic driver) CentOS 7 (with VESA graphic driver) Linux
<b>MECHANISM</b>	<b>Construction</b>	Sheet Metal	
	<b>Mounting</b>	Wall Mount	
	<b>Dimensions ( W x H x D )</b>	349mm x 140.2mm x 290.9mm (13.74" x 5.52" x 11.45")	
	<b>Weight</b>	7.7kg	
<b>ENVIRONMENT</b>	<b>Operating Temperature</b>	0 to 45°C	
	<b>Storage Temperature</b>	0 to 60°C	
	<b>Relative Humidity</b>	5 to 95% RH (non-condensing)	
<b>STANDARDS AND CERTIFICATIONS</b>	<b>Shock</b>	Operating: 3G	Non-operating: 5G
	<b>Vibration</b>	Operating: Random 5~500Hz 0.5G	Non-operating: Sine 10~500Hz 1.5G
	<b>Package Drop</b>	ISTA Project 1A	
	<b>Certification</b>	CE, FCC Class A, RoHS	

► Wall Mounting



### ► Ordering Information

Model Name	Part Number	Description
WM343-SD331	750-WM3433-100G	Wallmount System, SD331-Q170, 2 LAN, 1 COM, 6 USB, 4 Expansion Slots, Flex ATX 250W, 3.5" + ODD Bay, RoHS

### ► Optional Items

Optional Items	Part Number	Description
<b>CPU</b>	Available upon request	CPU, LGA1151, Long-Term Support, RoHS
<b>Memory</b>	Available upon request	DIMM, DDR4 Module, 16GB, RoHS
	Available upon request	DIMM, DDR4 Module, 8GB, RoHS
	Available upon request	DIMM, DDR4 Module, 4GB, RoHS
<b>2.5" HDD/SSD Support</b>	531-510360-000G	One F3 x5 Copper Standoff, RoHS (note: one bay needs 4 pcs of standoff)
<b>HDD</b>	785-H351T0B	3.5" SATA HDD, 1TB, RoHS
	785-H35500G	3.5" SATA HDD, 500GB, RoHS
	785-H25500G	2.5" SATA HDD, 500GB, RoHS
	785-H25320G	2.5" SATA HDD, 320GB, RoHS
	785-S251TBG	2.5" SATA SSD, 1TB MLC, RoHS
	785-S25512G	2.5" SATA SSD, 512GB MLC, RoHS
	785-S25256G	2.5" SATA SSD, 256GB MLC, RoHS
	785-S25128G	2.5" SATA SSD, 128GB MLC, RoHS
	785-S25064G	2.5" SATA SSD, 64GB MLC, RoHS
<b>Power Cord</b>	785-PWRD	Power Cord, Standards (USA/EUR/CH), 1.8m, RoHS
<b>Wall Mount</b>	761-WM3410-000G	WM343/WM341 Wall Mount Kit, RoHS

### ► Packing List

• 1 WM343-SD331 System Unit
• 1 CPU cooler
• 1 SATA Data Cable (Length: 650mm)
• 4 HDD Screws
• 1 Quick Installation Guide
• 1 PSU Flex ATX 150W/250W/350W/400W/500W
• 1 System Fan