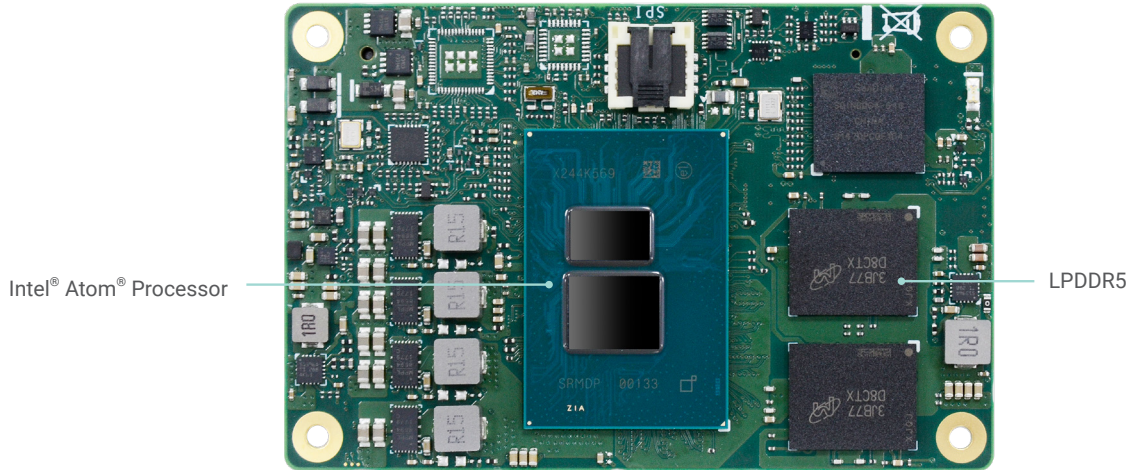


ASL9A2



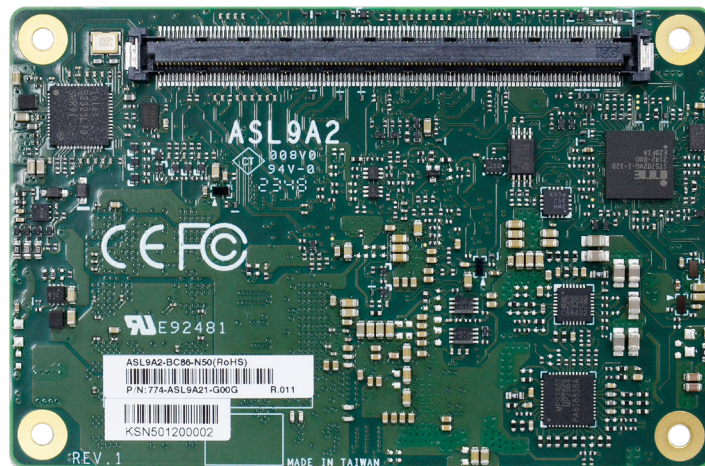
Intel® Atom® Processor Amston Lake Series
COM Express® Mini



Intel® Atom® Processor

LPDDR5

Top View



Bottom View

KEY FEATURES



DDR5

LPDDR5-4800 up to 16GB



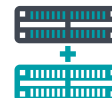
4K High Resolution

Supports 4K/ 2K resolution



High Speed Ethernet

Supports 100M/1000M/2.5Gbps



Multiple Expansion

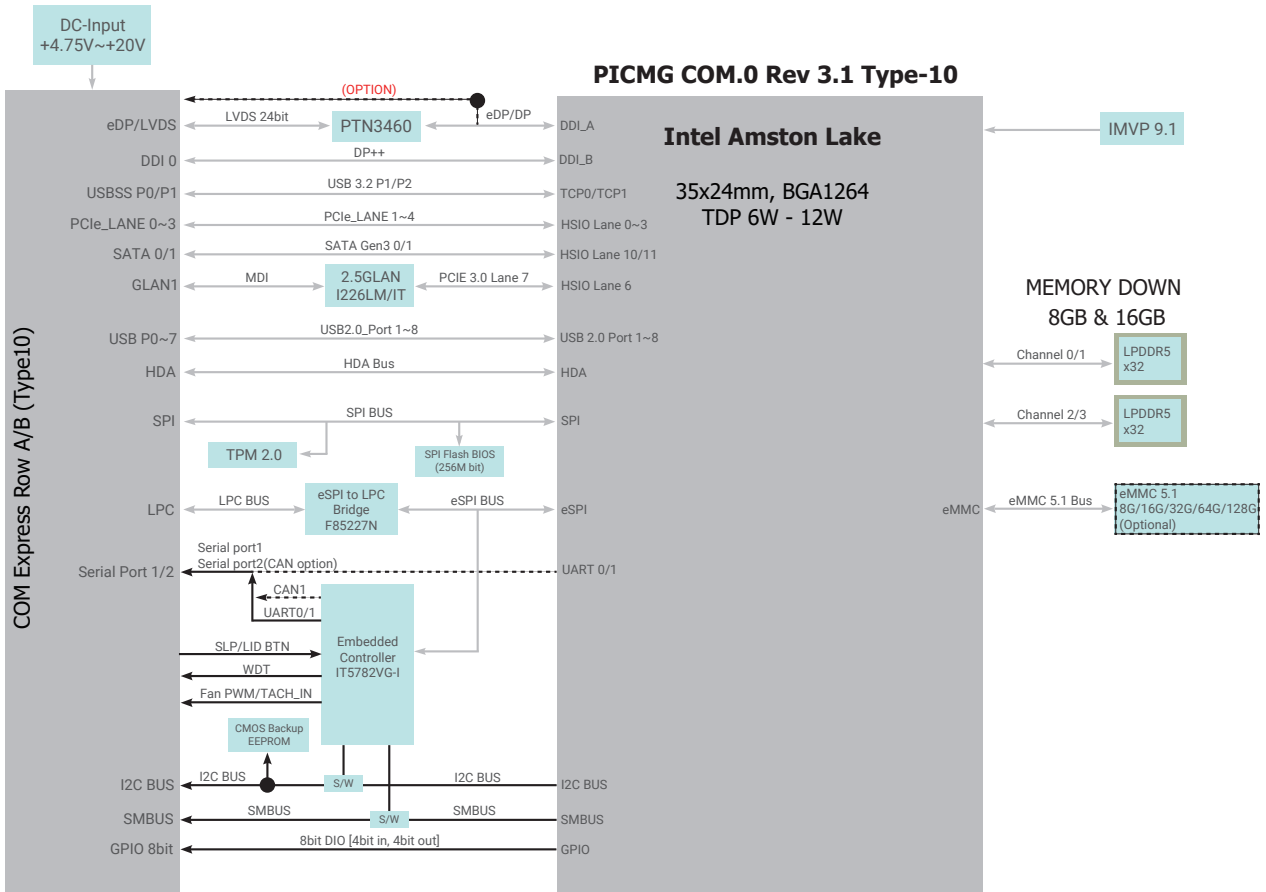
4 PCIe x1, 1 SMBus, 1 I²C, 1 eMMC



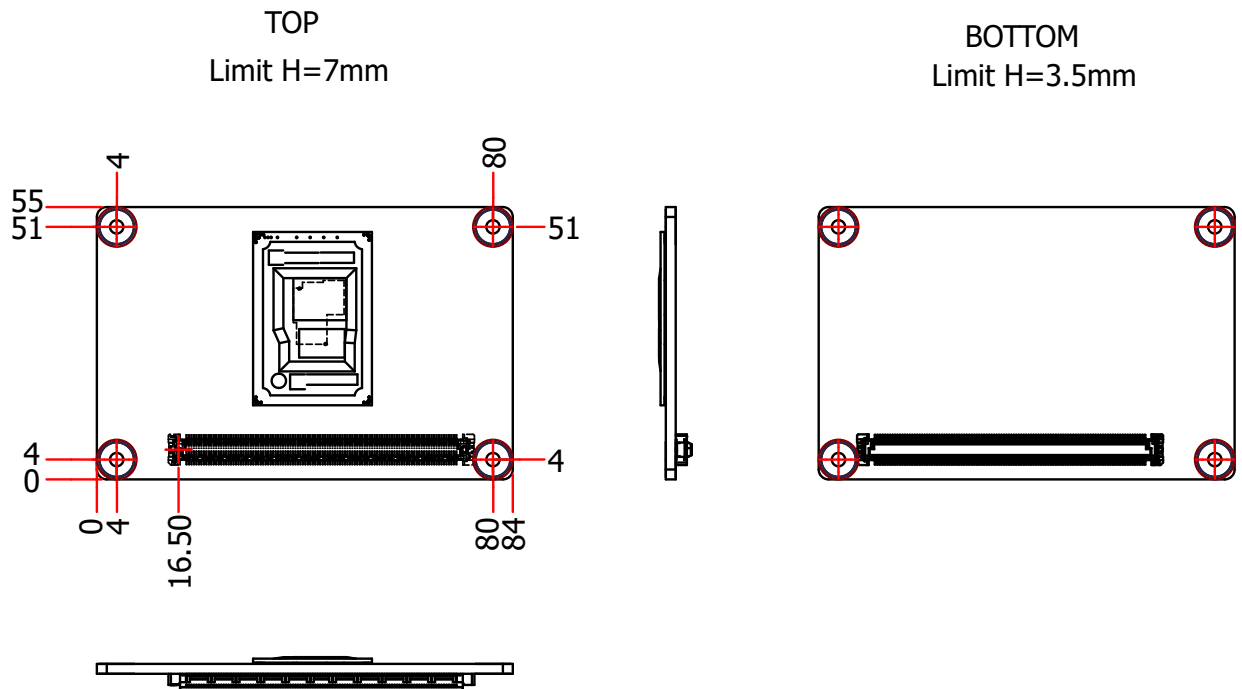
Rich I/O

2 USB 3.2, 8 USB 2.0

BLOCK DIAGRAM



MECHANICAL DRAWING



SPECIFICATION

SYSTEM	Processor	Intel® Atom x7000RE series processors (Code Name : Amston Lake) Intel® Atom Processor x7835RE, 8 Cores, 1.3~3.6GHz, 12W Intel® Atom Processor x7433RE, 4 Cores, 1.5~3.4GHz, 9W Intel® Atom Processor x7211RE, 2 Cores, 1.0~3.2GHz, 6W
	Memory	LPDDR5 up to 16GB Dual Channel LPDDR5 4800MHz 8GB/16GB supported by project basis. In-band ECC (IB ECC) Supported by all CPU SKUs
	BIOS	AMI SPI 256Mbit
GRAPHICS	Controller	Intel® UHD
	Feature	Open GL 4.6, DirectX 12.1 Vulkan 1.2 (Windows) Mesa 3D, Open GL 4.6, Vulkan 1.2 (Linux) HW Decode: 4K60 10b 4:2:0, 4:4:4 HEVC/VP9/SCC, 4K60 10b 4:2:0 AV1 HW Encode: 4K60 10b 4:2:0, 4:4:4 HEVC/VP9/SCC
	Display	1 x DDI 1 x LVDS/eDP LVDS: single channel 24-bit, resolution up to 1920x1200 @ 60Hz eDP: resolution up to 4096x2160 @ 60Hz HDMI: resolution up to 4096x2160 @ 30Hz DP++: resolution up to 4096x2160 @ 60Hz, 3840x2160 @60Hz
	Dual Displays	DDI + LVDS/eDP
EXPANSION	Interface	4 x PCIe x1 (Gen 3) 1 x I ² C 1 x SMBus 1 x LPC 2 x UART (TX/RX) 1 x CAN bus (available upon request)
AUDIO	Interface	HD Audio
ETHERNET	Controller	1 x Intel® I226-IT / I226-LM (10/100/1000Mbps/2.5Gbps)
I/O	USB	2 x USB 3.2 Gen2 8 x USB 2.0
	SATA	2 x SATA 3.0 (up to 6Gb/s)
	eMMC	1 x 8GB/16GB/32GB/64GB/128GB eMMC 5.1 (available upon request)
	DIO	1 x 8-bit DIO
WATCHDOG TIMER	Output & Interval	System Reset, Programmable via Software from 1 to 255 Seconds
SECURITY	TPM	dTPM or fTPM (Optional)
POWER	Type	4.75V~20V, 5VSB, VCC_RTC (ATX mode) 4.75V~20V, VCC_RTC (AT mode)
	Consumption	TBD
OS SUPPORT	OS Support (UEFI Only)	Windows 11/10 IoT Enterprise 64-bit Linux
ENVIRONMENT	Temperature	Operating: -40 to 85°C Storage: -40 to 85°C
	Humidity	Operating: 5 to 90% RH Storage: 5 to 90% RH
	MTBF	TBD
MECHANISM	Dimensions	COM Express® Mini 84mm (3.3") x 55mm (2.16")
	Compliance	PICMG COM Express® R3.1, Type 10
STANDARDS AND CERTIFICATIONS	Certifications	CE, FCC

ORDERING INFORMATION

Model Name	P/N	CPU	Memory	eMMC	LVDS/eDP	TPM 2.0	Thermal	Operating Temp.
ASL9A2-TC16-7835RE	770-ASL9A21-000G	Intel® Atom Processor x7835RE, 8 Cores, 12W	16GB	64GB	eDP	N/A	Cooler	-40 to 85°C
ASL9A2-TC16-7433RE	770-ASL9A21-100G	Intel® Atom Processor x7433RE, 4 Cores, 9W	16GB	64GB	eDP			
ASL9A2-TC86-7211RE	770-ASL9A21-300G	Intel® Atom Processor x7211RE, 2 Cores, 6W	8GB	64GB	LVDS			

PACKING LIST

Cooler	A71-108305-000G
--------	-----------------

OPTIONAL ITEMS

Heat Spreader	A71-808364-000G
COM335 Carrier Board Kit	770-CM3351-000G