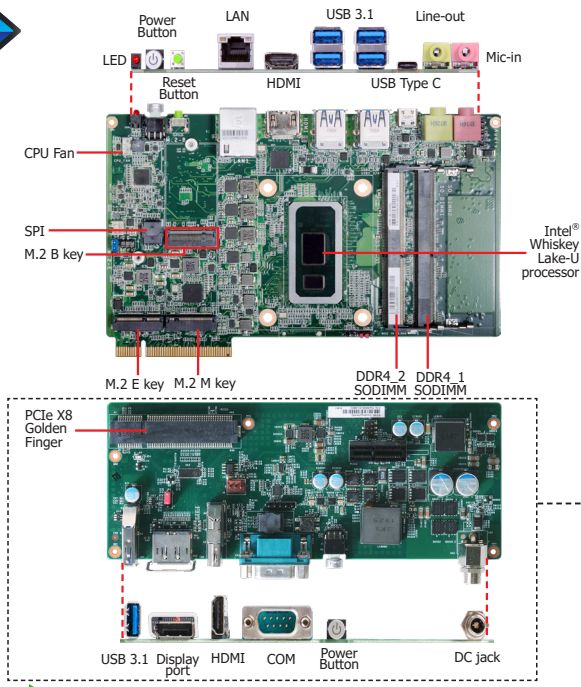


SDML-WL

ULT



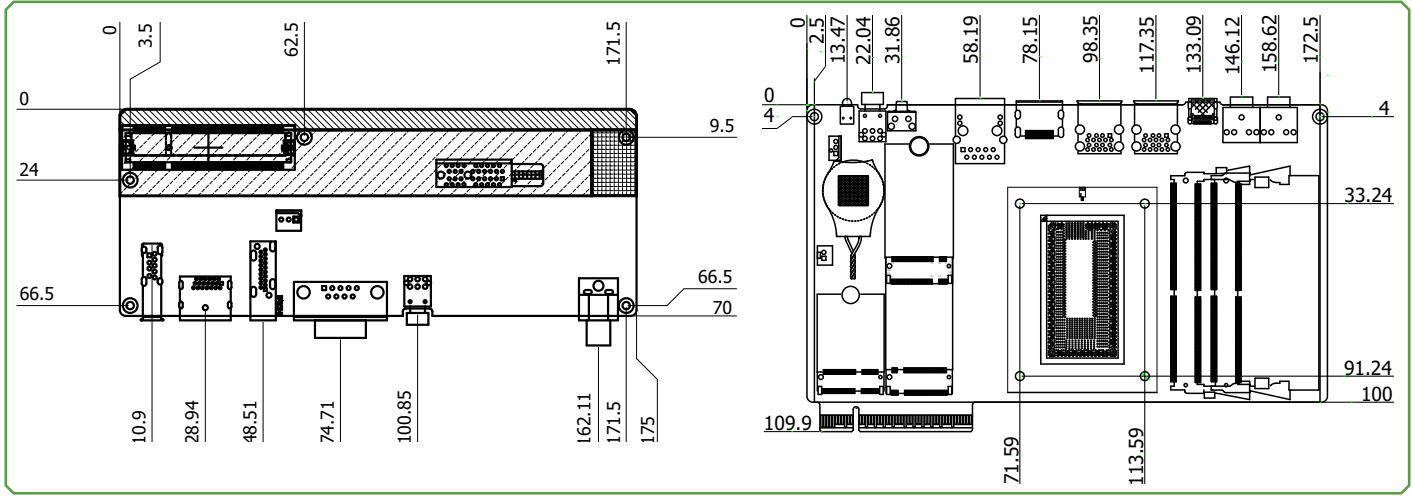
Features

- 2 DDR4 2400MHz SODIMM up to 32G
- 1 HDMI resolution up to 4096 x 2160 @ 60Hz
Display port resolution up to 4096 x 2304 @ 60Hz
- Multiple expansion: 1 M.2 E Key, 1 M.2 M Key, 1 M.2 B Key
- Rich I/O: 1 Intel GbE, 4 USB3.1, 1 USB3.1 Type C

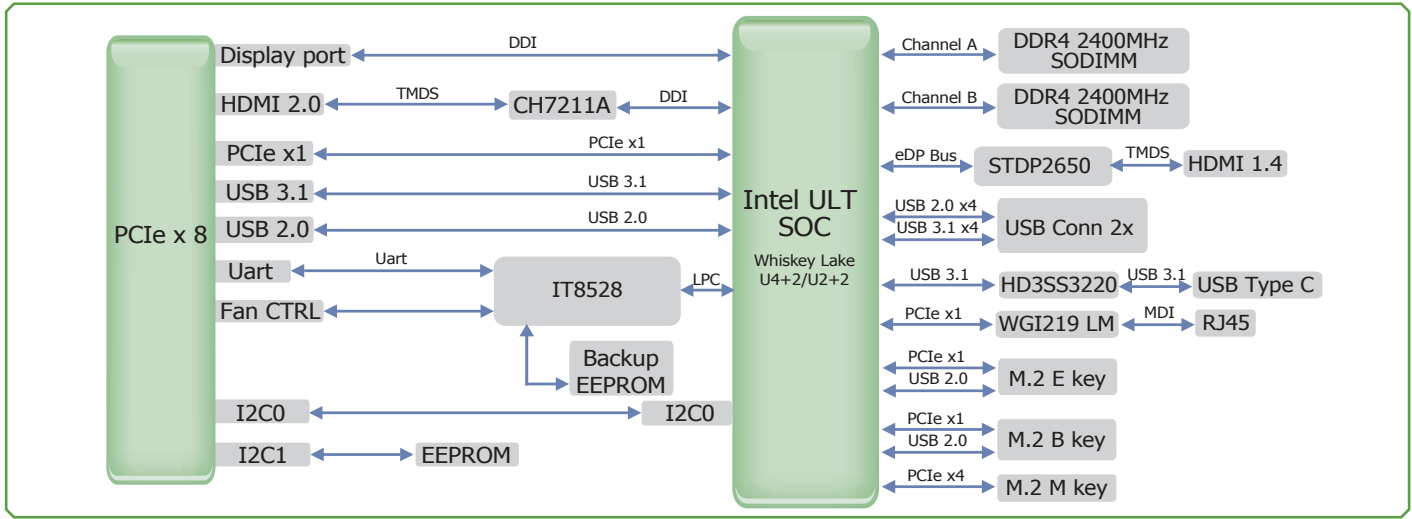


• SDML Docking Board (Optional Item)

Mechanical Drawing



Block Diagram



Specifications

| | | | |
|--------------------------|------------------------------|--|--|
| SYSTEM | Processor | 8th Gen Intel® Core™ Processor, FCBGA1528 Intel® Core™ i7-8665UE Processor, Quad Core, 8M Cache, 1.7GHz (4.4GHz), 15W Intel® Core™ i5-8365UE Processor, Quad Core, 6M Cache, 1.6GHz (4.1GHz), 15W Intel® Core™ i3-8145UE Processor, Dual Core, 4M Cache, 2.2GHz (3.9GHz), 15W Intel® Celeron® Processor 4305UE, Dual Core, 2M Cache, 2.0GHz, 15W | |
| | Memory | 2 SODIMM up to 32 GB | Dual Channel DDR4 2400MHz |
| | BIOS | AMI Winbond SPI 128Mbit | |
| GRAPHICS | Controller | Intel® UHD Graphics 620 | |
| | Dual Displays | 1 x Display port via PCIe x8 gold finger 1 x HDMI 2.0 to PCIe x8 gold finger 1 x HDMI 1.4 to rear I/O | Display port: resolution up to 4096x2304 @ 60Hz HDMI: resolution up to 4096x2160 @ 60Hz |
| EXPANSION | Interface | 1 x 2230 E Key (PCIe x1 interface) 1 x 2242 B Key (PCIe x1 interface) | 1 x 2280 M Key |
| AUDIO | Audio Codec | Realtek ALC262-VC2-GR | |
| ETHERNET | Controller | 1 x Intel® I219LM(V) (10/100/1000Mbps) (Core™ i5 and i7 support vPro function) | |
| REAR I/O | Ethernet | 1 x GbE (RJ-45) | |
| | USB | 4 x USB 3.1 | 1 x USB 3.1 Type C |
| | Display | 1 x HDMI 1.4 | |
| | Audio | 1 x Line-out | 1 x Mic-in |
| SDM GOLDEN FINGER | Serial | 1 x UART | |
| | USB | 1 x USB 3.1 | 1 x USB 2.0 |
| | Display | 1 x Display port | 1 x HDMI 2.0 |
| | SMBus | 2 x I2C | |
| WATCHDOG TIMER | Output & Interval | System Reset, Programmable via Software from 1 to 255 Seconds | |
| POWER | Type | Single 12V DC | |
| | Connector | DC Jack | |
| | RTC Battery | CR2032 Coin Cell with cable | |
| OS SUPPORT | Microsoft/Linux | Windows 10 IoT Enterprise 64-bit | Yocto kernel 4.19 |
| ENVIRONMENT | Temperature | Operating: 0 to 60°C | Storage: -40 to 85°C |
| | Humidity | Operating: 5 to 90% RH | |
| | MTBF | TBD | |
| MECHANICAL | Dimensions | 175mm (6.9") x 100mm (3.9") | |
| | Height | PCB: 1.6mm | Top Side: Max 20mm |

Ordering Information

| Model Name | P/N | Processor | Memory | GbE | Display | Power |
|----------------|-----------------|----------------|---------------|-----|-------------|--------|
| SDML-WL-8665UE | 770-SDMLW1-000G | i7-8665UE | 2 DDR4 SODIMM | 1 | 1 HDMI | 12V DC |
| SDML-WL-8365UE | 770-SDMLW1-100G | i5-8365UE | 2 DDR4 SODIMM | 1 | 1 HDMI | 12V DC |
| SDML-WL-8145UE | 770-SDMLW1-200G | i3-8145UE | 2 DDR4 SODIMM | 1 | 1 HDMI | 12V DC |
| SDML-WL-4305UE | 770-SDMLW1-300G | Celeron 4305UE | 2 DDR4 SODIMM | 1 | 1 HDMI | 12V DC |
| SDML-Docking | 770-SDMLD1-000G | NA | NA | NA | 1 HDMI+1 DP | 12 VDC |

Packing List

| | |
|------------------------------|---------------------------------|
| 1* SDML-WL Board | |
| 1* IO Bracket with 2* screws | A31-028A73-500G+531-700100-000G |
| 1* CPU Cooler onboard | A71-108117-000G |

Optional Item

| | |
|--------------|-----------------|
| SDML-Docking | 770-SDMLD1-000G |
|--------------|-----------------|