

# KS215P-EHL

21.5" Industrial Touch Panel PC

## KEY FEATURES



### CPU Performance

Intel® Atom® x6425E Processor, Quad Core  
Intel® Atom® x6413E Processor, Quad Core



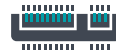
### Touch Type

Projected Capacitive Touch



### Dual Display

HDMI + DP++



### Multiple Expansions

M.2 2242/2280/3052 B Key  
M.2 2230 E Key



### Wide Voltage

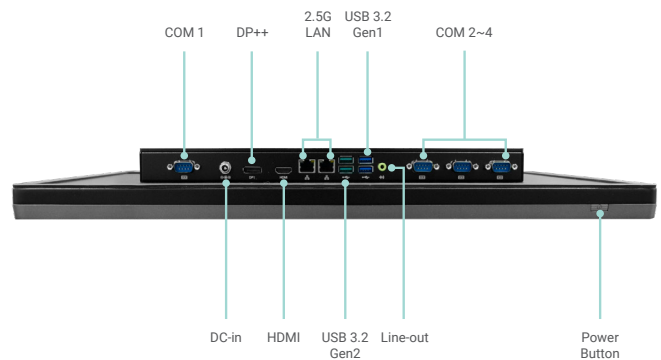
Support 9 ~ 36V



## PANEL

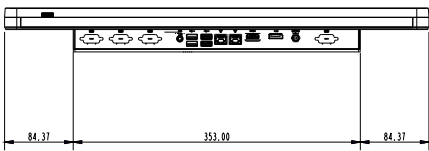
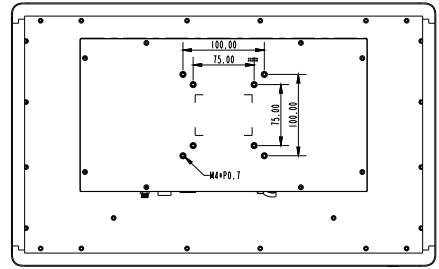
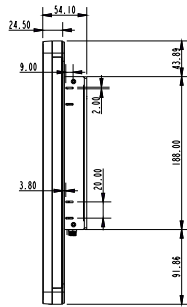
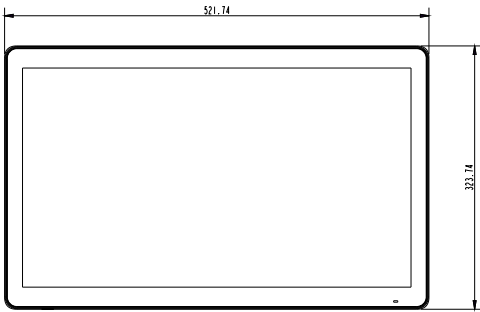
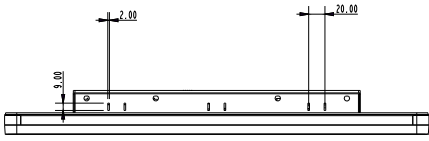


Top View

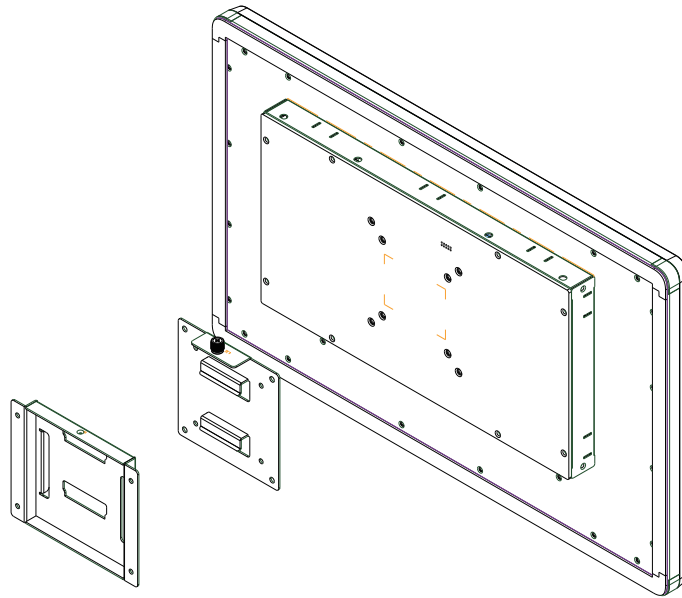


Bottom View

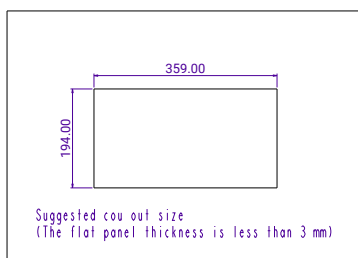
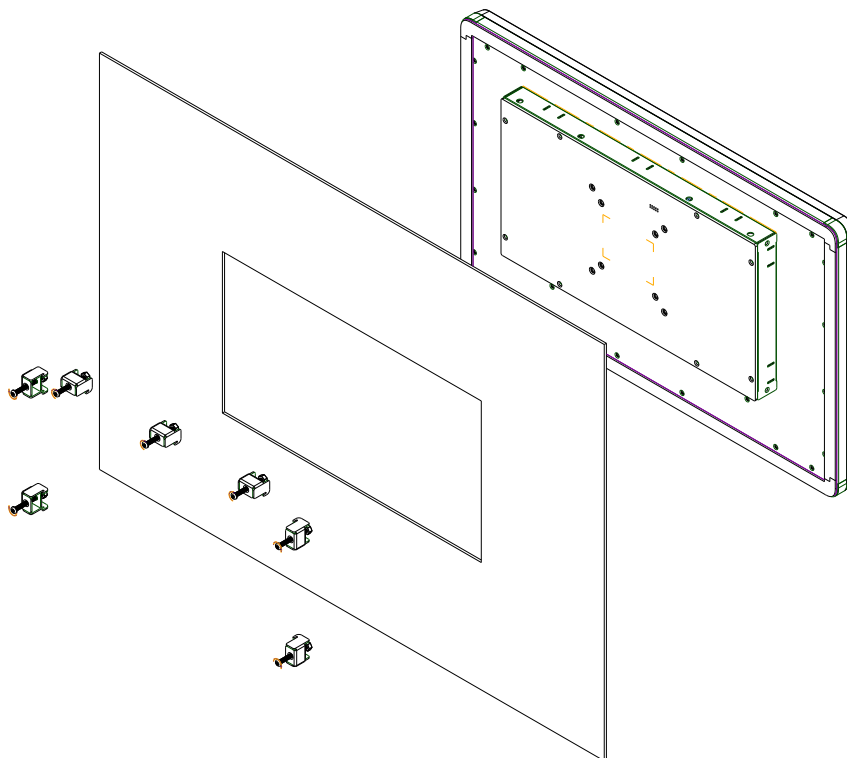
# DIMENSIONS



## VESA MOUNTING



## PANEL MOUNTING



## SPECIFICATION

DISPLAY AND TOUCH SCREEN	Display	21.5" TFT LCD Panel	
	Contrast	16 : 9	
	Max. Resolution	1920 x 1080	
	Touch Type	Projected Capacitive	
	Brightness	300 (cd/m2)	
	Backlight Lifetime	50,000 (hours)	
SYSTEM	Processor	Intel® Atom® x6425E Processor, Quad Core, 1.5M Cache, 2.0GHz (3.0GHz), 12W Intel® Atom® x6413E Processor, Quad Core, 1.5M Cache, 1.5GHz (3.0GHz), 9W	
	Memory	Two 260-pin SODIMM up to 32GB Dual channel DDR4 up to 3200MHz	
	BIOS	AMI SPI 256Mbit (supports UEFI boot only)	
GRAPHICS	Controller	Intel® UHD Graphics	
	Feature	OpenGL 4.5, DirectX 12, Open CL 1.2, Vulkan 1.1 HW Decode: AVC/H.264, MPEG2, VC1/WMV9, JPEG/MJPEG, HEVC/H.265, VP8, VP9 HW Encode: AVC/H.264, JPEG/MJPEG, HEVC/H.265, VP9	
	Display	1 x DP++ 1 x HDMI 2.0	DP++: resolution up to 4096x2160 @ 60Hz HDMI: resolution up to 4096x2160 @ 24Hz
	Dual Displays	DP++ + HDMI	
STORAGE	External	1 x 2.5" SATA 3.0 Drive Bay	
EXPANSION	Interface	1 x M.2 2242/2280/3052 B Key (PCIe x1/SATA/USB2.0) 1 x M.2 2230 E Key (PCIe x1/USB2.0) 1 x Nano SIM socket (connected to M.2 B key)	
I/O	Ethernet	2 x 2.5GHz RJ45	
	Serial	2 x RS232/422/485 2 x RS232	
	USB	2 x USB 3.2 Gen2 2 x USB 3.2 Gen1	
	Display	1 x DP++ 1 x HDMI	
	Audio	1 x line-out	
	Button	1 x Power Button	
POWER	Type	DC 9-36V	
	Connector	DC Jack	
MECHANISM	Construction	Plastic + Sheet Metal	
	Mounting	VESA mount 100 x 100	
	IP Rating	IP65 Front Panel Protection without power button	
	Dimensions(W x H x D)	521.8 X 323.8 X 54.1 mm	
	Weight	7.0 Kg	
ENVIRONMENT	Operating Temperature	0 ~ 50°C	
	Storage Temperature	-30 ~ 80°C	
	Relative Humidity	10 to 95% @ 40°C, non-condensing	
STANDARDS AND CERTIFICATION	Shock	OP: Half-sine, 3G @ 11ms Non-OP: Half-sine, 5G @ 11ms	
	Vibration	OP: Random, 1Grms @ 5~500Hz, 30min Non-OP: Sweep sine, 3Grms @ 10~500Hz, 30min	
	Certification	CE/FCC Class A/UKCA/RoHS	

## ORDERING INFORMATION

Model Name	Part Number	Description
KS215P-EHLW36-X13	750-KS215P0-000G	KS215P-EHLW36: 21.5" TFT WXGA Fan-less Panel PC with Projected Capacitive Touch, Intel® ATOM® x6413E, DC Input 9-36V DC jack, F/G SYSTEM RoHS
KS215P-EHLW36-X25	750-KS215P0-100G	KS215P-EHLW36: 21.5" TFT WXGA Fan-less Panel PC with Projected Capacitive Touch, Intel® Atom® x6425E, DC Input 9-36V DC jack, F/G SYSTEM RoHS

## OPTIONAL ITEMS

Optional Items	Part Number	Description
Power Cord	785-PWRD	Power Cord; Stand(USA/EUR/CH), 1.8m, RoHS
Power Adapter	671-106012-000G	60W,12V/5A,Level 6, RoHS
Panel Mount	761-TPC120-000G	ACCESSORY PANEL MOUNT KITS, RoHS

Please contact your regional sales representative if you need memory and storage information.

## PACKING LIST

• 1 KS215P-EHL Touch Panel PC
• 1 Poron foam
• 1 Quick Installation Guide