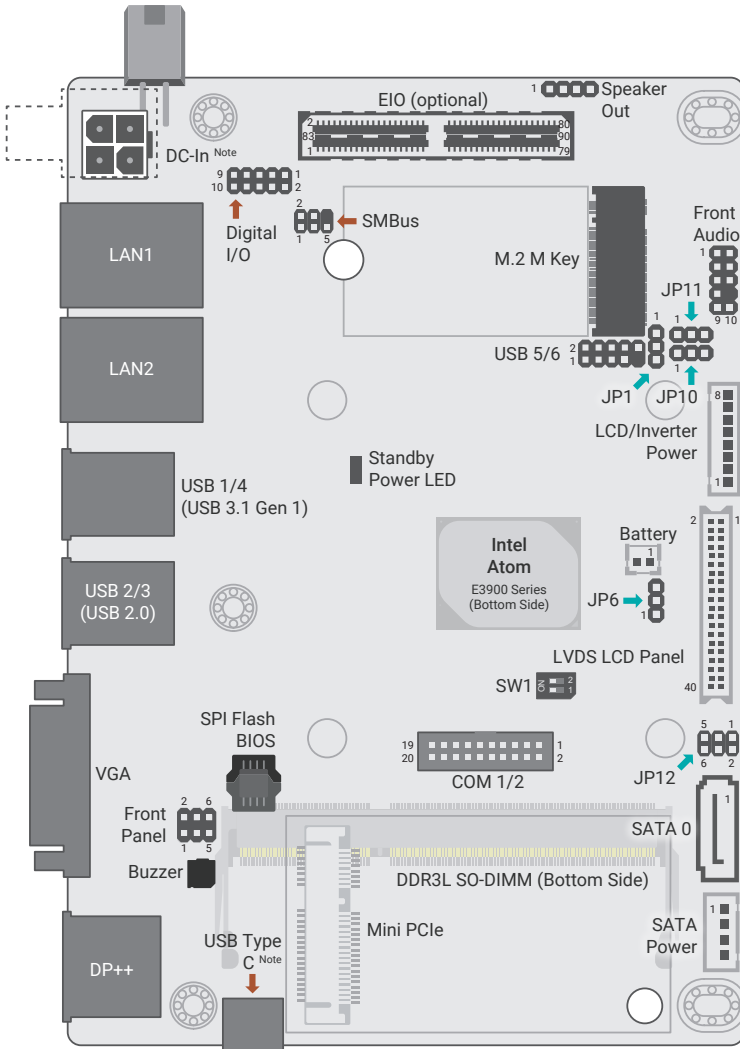


Board Layout (Top View)

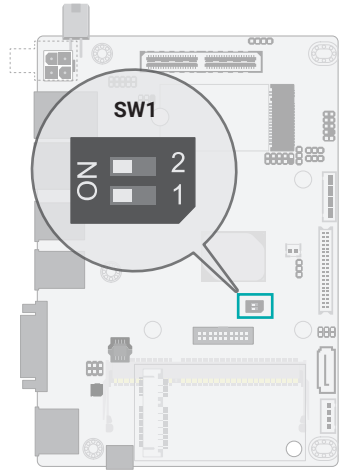


Note:

The DC-In jack can be coaxial, vertical 4-pin, or right angle 4-pin. The USB Type C is optional, and supports USB 3.1 Gen 1 OTG only available for Linux.

Jumper Settings

M.2 Signal Select	JP1
SATA (default)	1-2 On
PCIe	2-3 On
Clear CMOS	JP6
Normal (default)	1-2 On
Clear CMOS Data	2-3 On
LCD/Inverter Power	JP11
+12V (default)	1-2 On
+5V	2-3 On
Backlight Brightness	JP10
+3.3V (default)	1-2 On
+5V	2-3 On
Panel Power Select	JP12
+12V	1-2 On
+5V	3-4 On
+3.3V (default)	5-6 On



LVDS Channel and BPP	SW1
Single LVDS	1 On
Dual LVDS	1 Off
VESA (24bpp)	2 On
JEIDA or VESA (18bpp)	2 Off

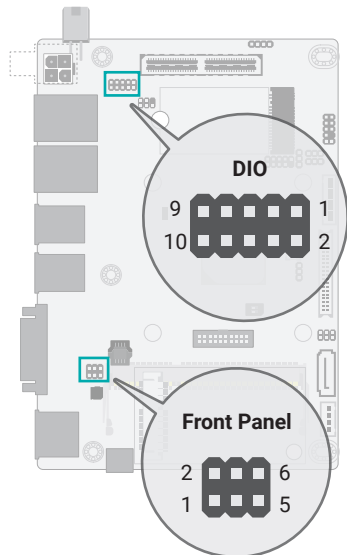
Pin Assignments for I/O Connectors

Front Panel

Pin	Assignment	Pin	Assignment
HDD-LED	6 HDD_LED	RESET	5 Reset Button
	3 GND		3 GND
PWR-LED	4 SUS_LED	PWR-BTN	1 Power Button
	2 V_LED		3 GND

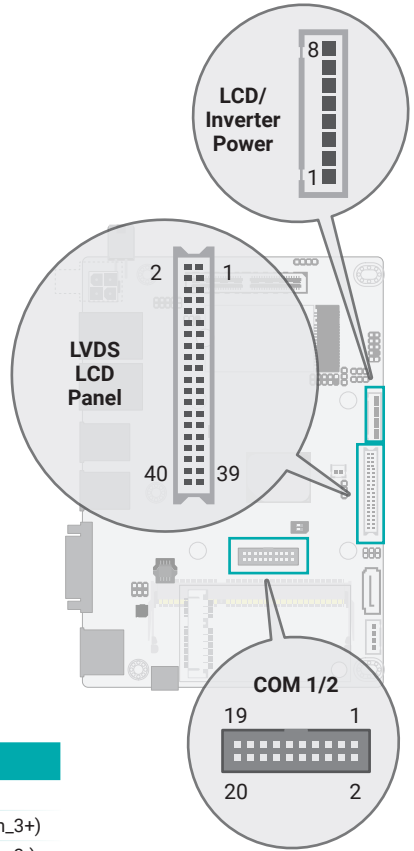
DIO

Pin	Assignment	Pin	Assignment
1	DIO7	2	DIO2
3	DIO6	4	DIO1
5	DIO5	6	DIO0
7	DIO4	8	5V
9	DIO3	10	GND



COM 1/2

Pin	RS232	RS422 Full Duplex	RS485
1	DCD_1	TX_-1	DATA_-1
2	DSR_1	NC	NC
3	RD_1	TX+_1	DATA+_1
4	RTS_1	NC	NC
5	TD_1	RX+_1	NC
6	CTS_1	NC	NC
7	DTR_1	RX_-1	NC
8	RL_1	NC	NC
9	GND	GND	GND
10	GND	GND	GND
11	DCD_2	TX_-2	DATA_-2
12	DSR_2	NC	NC
13	RD_2	TX+_2	DATA+_2
14	RTS_2	NC	NC
15	TD_2	RX+_2	NC
16	CTS_2	NC	NC
17	DTR_2	RX_-2	NC
18	RL_2	NC	NC
19	GND	GND	GND
20	GND	GND	GND



LVDS LCD Panel

Pin	Assignment	Pin	Assignment
1	GND	2	GND
3	LVDS_Out3+ (Odd_3+)	4	LVDS_Out7+ (Even_3+)
5	LVDS_Out3- (Odd_3-)	6	LVDS_Out7- (Even_3-)
7	GND	8	GND
9	LVDS_Out2+ (Odd_2+)	10	LVDS_Out6+ (Even_2+)
11	LVDS_Out2+ (Odd_2+)	12	LVDS_Out6- (Even_2-)
13	GND	14	GND
15	LVDS_Out1+ (Odd_1+)	16	LVDS_Out5+ (Even_1+)
17	LVDS_Out1- (Odd_1-)	18	LVDS_Out5- (Even_1-)
19	GND	20	GND
21	LVDS_Out0+ (Odd_0+)	22	LVDS_Out4+ (Even_0+)
23	LVDS_Out0- (Odd_0-)	24	LVDS_Out4- (Even_0-)
25	GND	26	GND
27	LVDS_CLK1+ (Odd_CLK+)	28	LVDS_CLK2+ (Even_CLK+)
29	LVDS_CLK1- (Odd_CLK-)	30	LVDS_CLK2- (Even_CLK-)
31	GND	32	GND
33	DDC_CLK	34	N.C.
35	DDC_DATA	36	+3.3V
37	Panel Power	38	Panel Power
39	Panel Power	40	Panel Power

LCD/Inverter Power

Pin	Assignment
1	GND
2	GND
3	Dimming Control
4	Panel Power
5	+3.3V
6	Panel Backlight On/Off
7	LCD/Inverter Power
8	LCD/Inverter Power

Front Audio

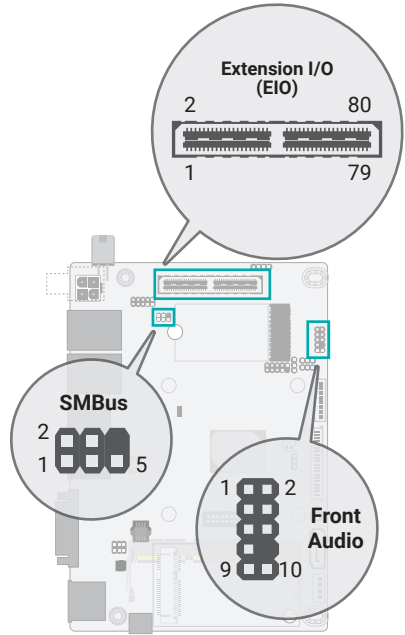
Pin	Assignment	Pin	Assignment
1	Mic-L	2	GND
3	Mic-R	4	N.C.
5	Line-R	6	Mic-JD
7	GND	8	--
9	Line-L	10	Line-JD

SMBus

Pin	Assignment	Pin	Assignment
1	3V3SB	2	GND
3	SMB_CLK	4	SMB_DATA
5	SMB_ALERT	6	GND

EIO

Pin	Assignment	Pin	Assignment
1	PCIE_RX0+	2	PCIE_TX0+
3	PCIE_RX0-	4	PCIE_TX0-
5	GND	6	GND
7	PCIE_RX1+	8	PCIE_TX1+
9	PCIE_RX1-	10	PCIE_TX1-
11	GND	12	GND
13	PCIE_CLK+	14	N.C.
15	PCIE_CLK-	16	N.C.
17	GND	18	GND
19	USB_SSRX0+	20	N.C.
21	USB_SSRX0-	22	N.C.
23	GND	24	GND
25	USB_SSTX0+	26	N.C.
27	USB_SSTX0-	28	N.C.
29	GND	30	N.C.
31	SATA0_RX+	32	N.C.
33	SATA0_RX-	34	GND
35	GND	36	PCIE_WAKE
37	SATA0_TX+	38	N.C.
39	SATA0_TX-	40	N.C.
41	GND	42	SMB_STB_CK
43	DDIO_CTRLCLK_AUX+	44	SMB_STB_DAT
45	DDIO_CTRLCLK_AUX-	46	GND
47	GND	48	CLK33M
49	DDIO_PAIR0+	50	LPC_AD0
51	DDIO_PAIR0-	52	LPC_AD1



Pin	Assignment	Pin	Assignment
53	GND	54	LPC_AD2
55	DDIO_PAIR1+	56	LPC_AD3
57	DDIO_PAIR1-	58	LPC_SERIRQ
59	GND	60	LPC_FRAME#
61	DDIO_PAIR2+	62	DDIO_HPD
63	DDIO_PAIR2-	64	DDIO_AUX_Detect
65	GND	66	GND
67	DDIO_PAIR3+	68	GPIO_STB (INT)
69	DDIO_PAIR3-	70	PLT_RESET#
71	GND	72	N.C.
73	3V3SB_1	74	N.C.
75	3V3SB_2	76	PS_ON
77	AUD_GND	78	Line-JD
79	Line1_L	80	Line1-R
83	GND	84	GND
85	GND	86	GND
87	5VSB	88	5VSB
89	5VSB	90	5VSB



DFI reserves the right to change the specifications at any time prior to the product's release. This QR may be based on editions that do not resemble your actual products. For more documentation and drivers, please visit the download page at go.dfi.com/AL551, or via the QR code to the right.

