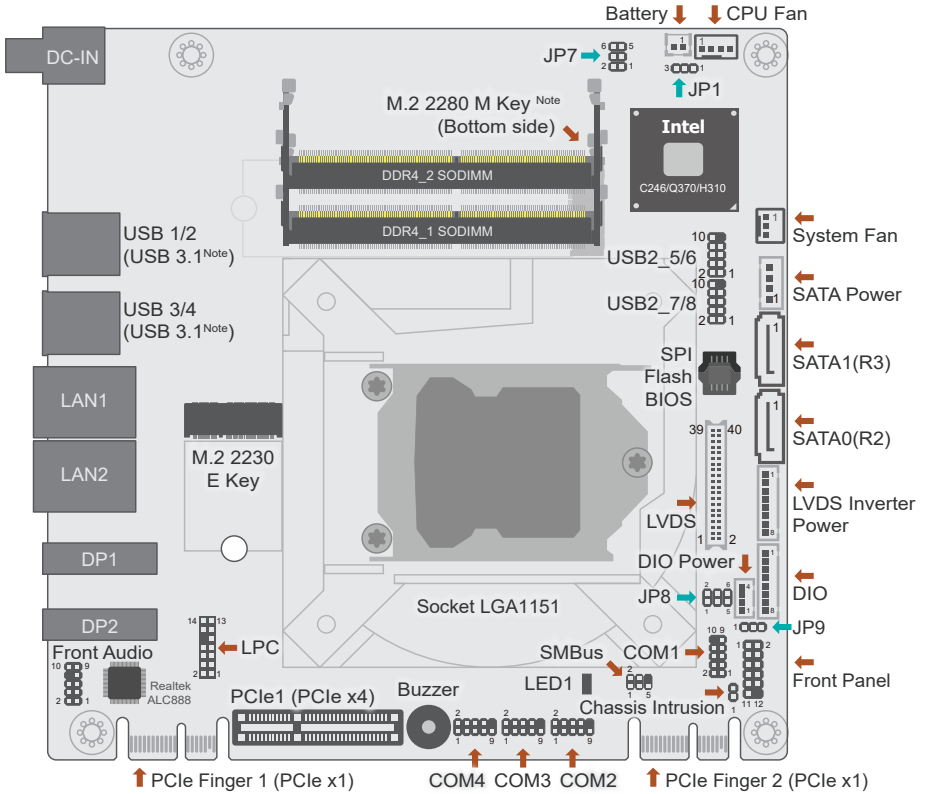


Board Layout and Jumper Settings



Clear CMOS Data	JP1
Normal (default)	1-2 On
Clear CMOS Data	2-3 On

LVDS Backlight Power	JP7
3.3V (default)	1-3 On
5V	3-5 On

LVDS Panel Power	JP8
12V	1-2 On
5V	3-4 On
3V (default)	5-6 On

LVDS Inverter Power	JP9
+12V (default)	1-2 On
5V	2-3 On

**Note:**

Rear USB 1/2/3/4 ports support USB 3.1 Gen 2 on Q370/C246 and USB 3.1 Gen 1 on H310. The M.2 2280 M key is unavailable on H310.

Pin Assignments for I/O Connectors

Digital I/O (DIO)

Pin	Function	Pin	Function
1	DIO_7	5	DIO_3
2	DIO_6	6	DIO_2
3	DIO_5	7	DIO_1
4	DIO_4	8	DIO_0

COM Ports (COM 1-4)

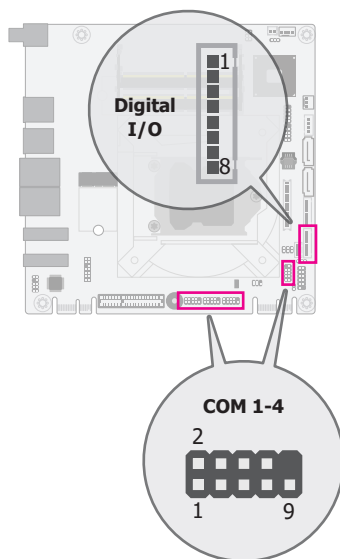
Pin	RS232	RS422 Full Duplex	RS485
1	DCD-	TXD-	Data-
2	RD	TXD+	Data+
3	TD	RXD+	N.C.
4	DTR-	RXD-	N.C.
5	GND	GND	GND
6	DSR-	N.C.	N.C.
7	RTS-	N.C.	N.C.
8	CTS-	N.C.	N.C.
9	RI-	N.C.	N.C.

Chassis Intrusion

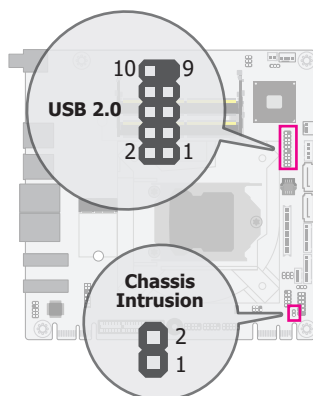
Pin	Function	Pin	Function
1	Signal	2	GND

USB 2.0 Headers (USB 5/6, 7/8)

Pin	Assignment	Pin	Assignment
1	VCC	2	VCC
3	Data-	4	Data-
5	Data+	6	Data+
7	GND	8	GND
9	---	10	N.C.

**Note:**

COM 3/4 only support RS232.



Front Panel

Pin	Assignment	Pin	Assignment
1	N.C.	2	LED Power
3	HDD Power	4	LED Power
5	Signal	6	Signal
7	Ground	8	Ground
9	Signal	10	Signal
11	N.C.	12	---

HDD-LED
PWR-LED
RESET
ATX-SW

SMBus

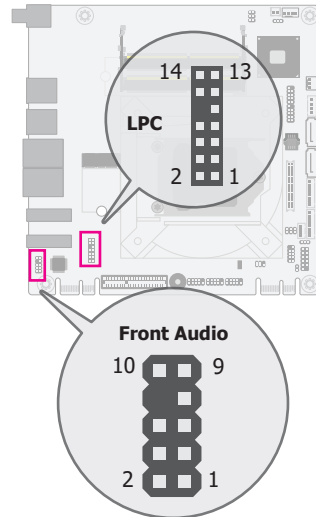
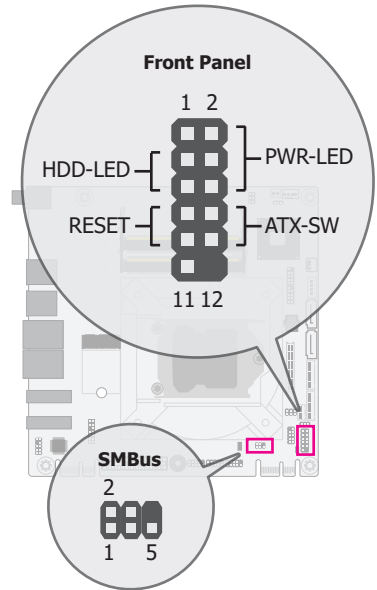
Pin	Assignment	Pin	Assignment
1	3V3SB	2	GND
3	SMB_CLK	4	SMB_DATA
5	SMB_ALERT	6	GND

LPC

Pin	Assignment	Pin	Assignment
1	L_CLK	2	L_AD1
3	L_RST#	4	L_ADO
5	L_FRAME#	6	3V3
7	L_AD3	8	GND
9	L_AD2	10	---
11	INT_SERIRQ	12	GND
13	5VSB	14	5V

Front Audio

Pin	Assignment	Pin	Assignment
1	Mic2-L	2	GND
3	Mic2-R	4	N.C.
5	Line2-R	6	Mic2-JD
7	GND	8	---
9	Line2-L	10	Line2-JD

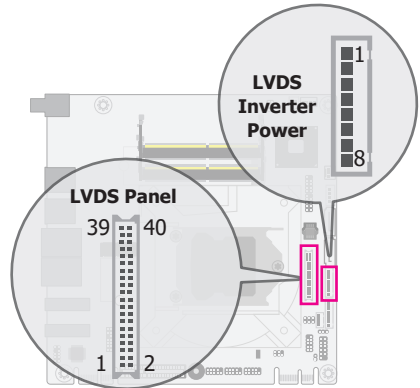


LVDS Panel

Pin	Assignment	Pin	Assignment
1	GND	2	GND
3	LVDS_A3+	4	LVDS_B3+
5	LVDS_A3-	6	LVDS_B3-
7	GND	8	GND
9	LVDS_A2+	10	LVDS_B2+
11	LVDS_A2-	12	LVDS_B2-
13	GND	14	GND
15	LVDS_A1+	16	LVDS_B1+
17	LVDS_A1-	18	LVDS_B1-
19	GND	20	GND
21	LVDS_A0+	22	LVDS_B0+
23	LVDS_A0-	24	LVDS_B0-
25	GND	26	GND
27	LVDS_CLK1+	28	LVDS_CLK2+
29	LVDS_CLK1-	30	LVDS_CLK2-
31	GND	32	GND
33	LVDS_DDC_CLK	34	NC
35	LVDS_DDC_DATA	36	+3.3V
37	Panel Power	38	Panel Power
39	Panel Power	40	Panel Power

LCD/Inverter Power

Pin	Assignment
1	GND
2	GND
3	Panel Inverter Brightness Voltage Control
4	Panel Power
5	+3.3V
6	Panel Backlight On/Off Control
7	12V (default)/5V
8	12V (default)/5V



DFI reserves the right to change the specifications at any time prior to the product's release. This QR may be based on editions that do not resemble your actual products. For more documentation and drivers, please visit the download page at go.dfi.com/CS103-Q370/C246, go.dfi.com/CS103-H310, or via the QR codes to the right.



C246/Q370



H310